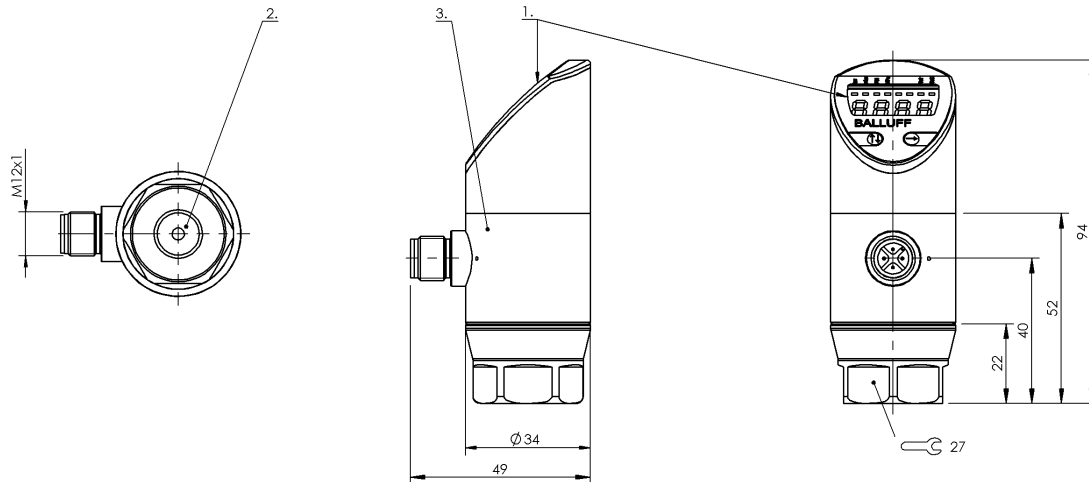


BSP V002-EV002-A00A0B-S4 BSP004J



1) Display and control panel 2) Process connection 3) Housing rotatable 320°



Display/Operation

Switching function display LED

Electrical connection

Connection M12x1-Connector, 4-pole, A-coded
Polarity reversal protected yes
Short-circuit protection yes

Electrical data

Current draw max. 50 mA
MTTF (40 °C) 368 a
Operating voltage U_b 18...36 VDC
Output current max. 500 mA
Switching cycles min. 100000000
Switching frequency 200 Hz

Environmental conditions

Ambient temperature -25...85 °C
Compensation temperature -25...85 °C
EN 60068-2-27, Shock 30 g, 11 ms
EN 60068-2-6, Vibration 30 g, 10...2000 Hz
Interference immunity EN 61000-6-2: 2005
Medientemperatur -25...125 °C
Noise emission EN 61000-6-4: 2007
Protection class III
Protection type IEC 60529 IP67
Storage temperature -40...85 °C
Temperature coefficient typ. $\leq \pm 0.3$ % FSO/10K

Functional safety

Diagnostic coverage 0.0 %
Functional safety no
Mission Time 0 a

General data

Approval/Conformity CE
Operating panel 2 buttons
320° rotation
4-digit, 7-segment display, red

Material

Gasket, material FKM
Housing material PA, PA 6.6

Mechanical data

Tightening torque max. 5 Nm
Weight 230.00 g

Output/Interface

Analog output Analog, voltage, 0...10 V
Switching output PNP

Range/Distance

Burst pressure 7.00 bar
Long-term stability max. 0.3 % FSO/year
Overload pressure 4 bar
Repeat accuracy $\leq \pm 0.2$ % FSO

BSP V002-EV002-A00A0B-S4 BSP004J

Resolution ≤ 12 Bit
Sampling rate 2 ms

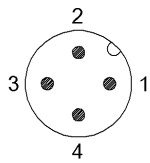
For further information on MTTF/B10d, please refer to the MTTF / B10d Certificate.

Specification of the MTTF value and the B10d value do not represent any binding quality and/or life expectancy guarantees.

Remarks

Permissible burden on analog output $R_{min} = 10$ kOhm
vacuum-tight

Connector view



Wiring Diagram

