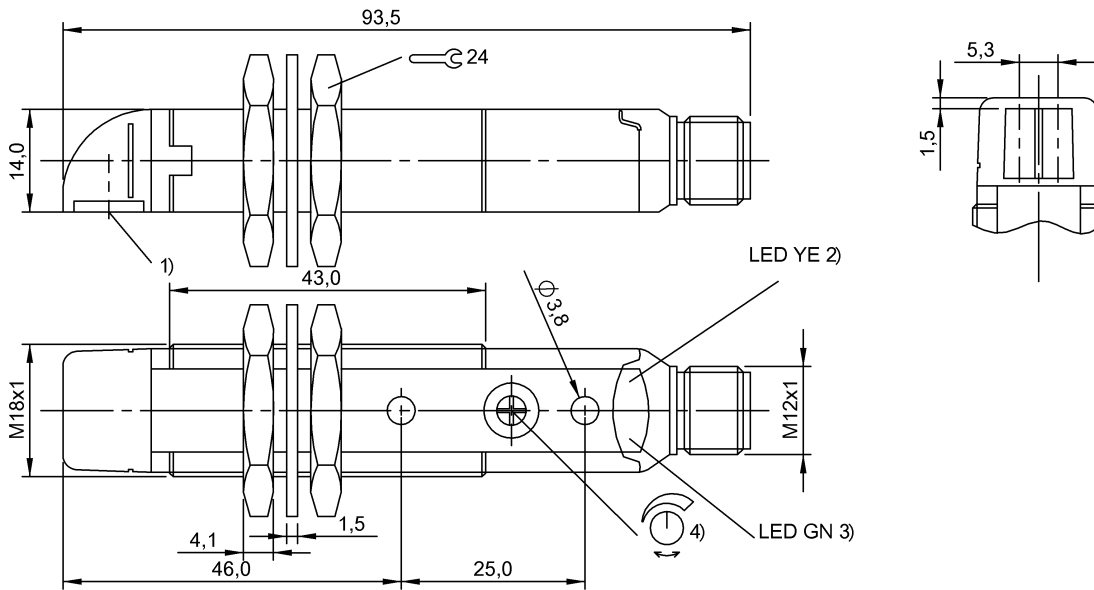


## BOS 18KW-PA-1QC-S4-C BOS00LW



1) Optical axis 2) Output function 3) Stability 4) Sn



### Display/Operation

Adjuster	Potentiometer 270° (1x)
Setting	Sensitivity (Sn)

### Electrical connection

Connection	M12x1-Connector, 4-pole, A-coded
Polarity reversal protected	yes
Short-circuit protection	yes

### Electrical data

MTTF (40 °C)	634 a
No-load current I <sub>o</sub> max. at U <sub>e</sub>	35 mA
Operating voltage U <sub>b</sub>	10...30 VDC
Rated insulation voltage U <sub>i</sub>	75 V DC
Rated operating current I <sub>e</sub> DC	100 mA
Rated operating voltage U <sub>e</sub> DC	24 V
Switching frequency	1000 Hz
Turn-off delay t <sub>off</sub> max.	0.5 ms
Turn-on delay t <sub>on</sub> max.	0.5 ms
Voltage drop U <sub>d</sub> max. at I <sub>e</sub>	2 V

### Environmental conditions

Ambient temperature	-25...55 °C
Protection type IEC 60529	IP67
Reference reflector	BOS R-1

### Functional safety

Diagnostic coverage	0 %
---------------------	-----

Functional safety

no

Mission Time

10 a

### General data

Approval/Conformity	CE cULus
Basic standard	IEC 60947-5-2
Series	18KW
Style	Flat cylinder Optics 90°
Trademark	Global

### Material

Housing material	PBT
Material sensing surface	PMMA

### Mechanical data

Blind zone	100 mm
Dimension	Ø 18 x 93.5 mm
Fastening detail	Nut M18x1 Screw M3
Tightening torque max.	1.5 Nm

### Optical data

Ambient light max.	5000 Lux
Light type	LED Red light
Polarizing filter	yes
Principle of optical operation	Retroreflective sensor
Wave length	660 nm

## BOS 18KW-PA-1QC-S4-C BOS00LW

### Output/Interface

Switching output                      PNP Normally closed (NC)  
    PNP Normally open (NO)

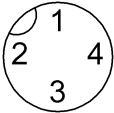
### Range/Distance

Measuring range                      0...3 m  
 Range                                      0...3 m  
 Rated operating distance  $S_n$       3 m, Adjustable  
 Ripple max. (% of  $U_e$ )              8 %

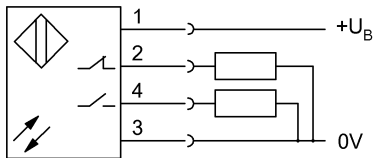
### Remarks

The sensor is functional again after the overload has been eliminated. Polarizing filters prevent spurious switching due to reflecting and shiny parts. For additional information, refer to user's guide. Order accessories separately.  
 Actuation object (target): gray card, 200 x 200, 90 % remission, lateral approach, approach direction vertical to lens axis plane.  
 For further information on MTTF/B10d, please refer to the MTTF / B10d Certificate.  
 Specification of the MTTF value and the B10d value do not represent any binding quality and/or life expectancy guarantees.

### Connector view



### Wiring Diagram



### Symbols for Optoelectronic Sensors

