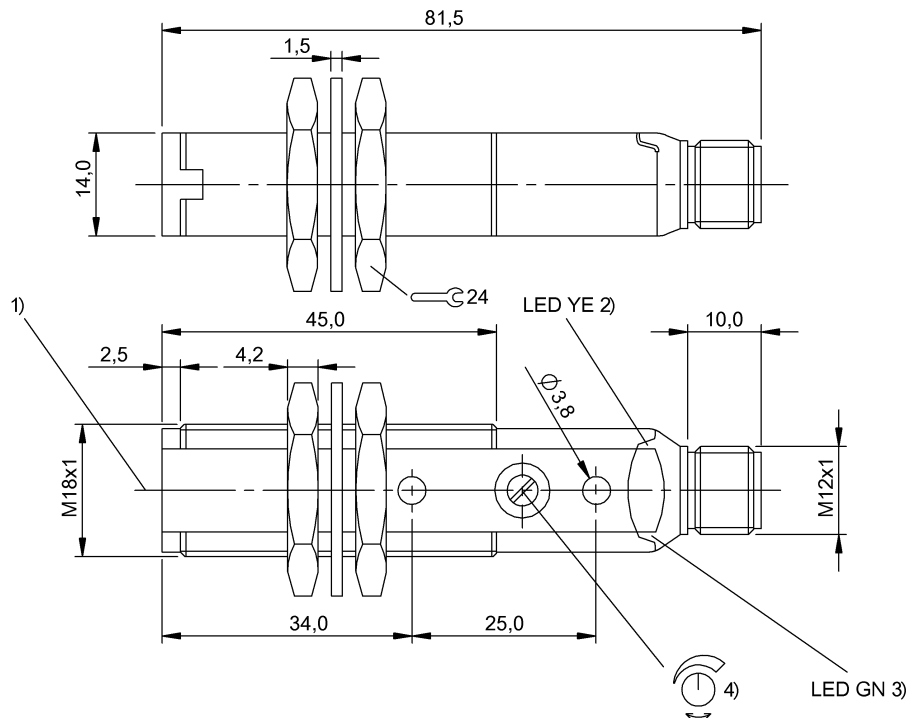


## BLE 18KF-PA-1PP-S4-C BOS00CK



1) Optical axis 2) Output function 3) Stability 4) Sn



### Display/Operation

Adjuster	Potentiometer 270° (1x)
Setting	Sensitivity (Sn)

### Electrical connection

Connection	M12x1-Connector, 4-pole, A-coded
Polarity reversal protected	yes
Short-circuit protection	yes

### Electrical data

MTTF (40 °C)	455 a
No-load current I <sub>0</sub> max. at U <sub>e</sub>	30 mA
Operating voltage U <sub>b</sub>	10...30 VDC
Rated insulation voltage U <sub>i</sub>	75 V DC
Rated operating current I <sub>e</sub> DC	100 mA
Rated operating voltage U <sub>e</sub> DC	24 V
Reference emitter	BLS 18KF-XX-1P-..
Switching frequency	250 Hz
Turn-off delay t <sub>off</sub> max.	2 ms
Turn-on delay t <sub>on</sub> max.	2 ms

Utilization category	DC -13
Voltage drop U <sub>d</sub> max. at I <sub>e</sub>	2 V

### Environmental conditions

Ambient temperature	-25...55 °C
Protection type IEC 60529	IP67

### Functional safety

Diagnostic coverage	0 %
Functional safety	no
Mission Time	10 a

### General data

Approval/Conformity	CE cULus
Basic standard	IEC 60947-5-2
Series	18KF
Style	Flat cylinder Straight optics
Trademark	Global

## BLE 18KF-PA-1PP-S4-C BOS00CK

### Material

Housing material	PBT
Material sensing surface	PMMA

### Mechanical data

Dimension	Ø 18 x 14 mm
Fastening detail	Nut M18x1 Screw M3
Tightening torque max.	1.5 Nm

### Optical data

Ambient light max.	5000 Lux
Light type	Infrared
Principle of optical operation	Through-beam sensor (receiver)

### Output/Interface

Switching output	PNP Normally closed (NC) PNP Normally open (NO)
------------------	--

### Range/Distance

Measuring range	0...20 m
Range	0...20 m
Rated operating distance $S_n$	20 m, Adjustable
Ripple max. (% of $U_e$ )	8 %

### Remarks

The sensor is functional again after the overload has been eliminated.  
For additional information, refer to user's guide.

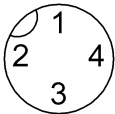
Order accessories separately.

Actuation object (target): gray card, 200 x 200, lateral approach

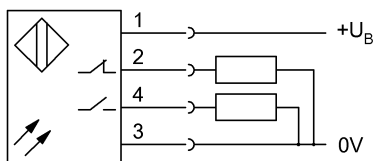
For further information on MTTF/B10d, please refer to the MTTF / B10d Certificate.

Specification of the MTTF value and the B10d value do not represent any binding quality and/or life expectancy guarantees.

### Connector view



### Wiring Diagram



### Symbols for Optoelectronic Sensors

