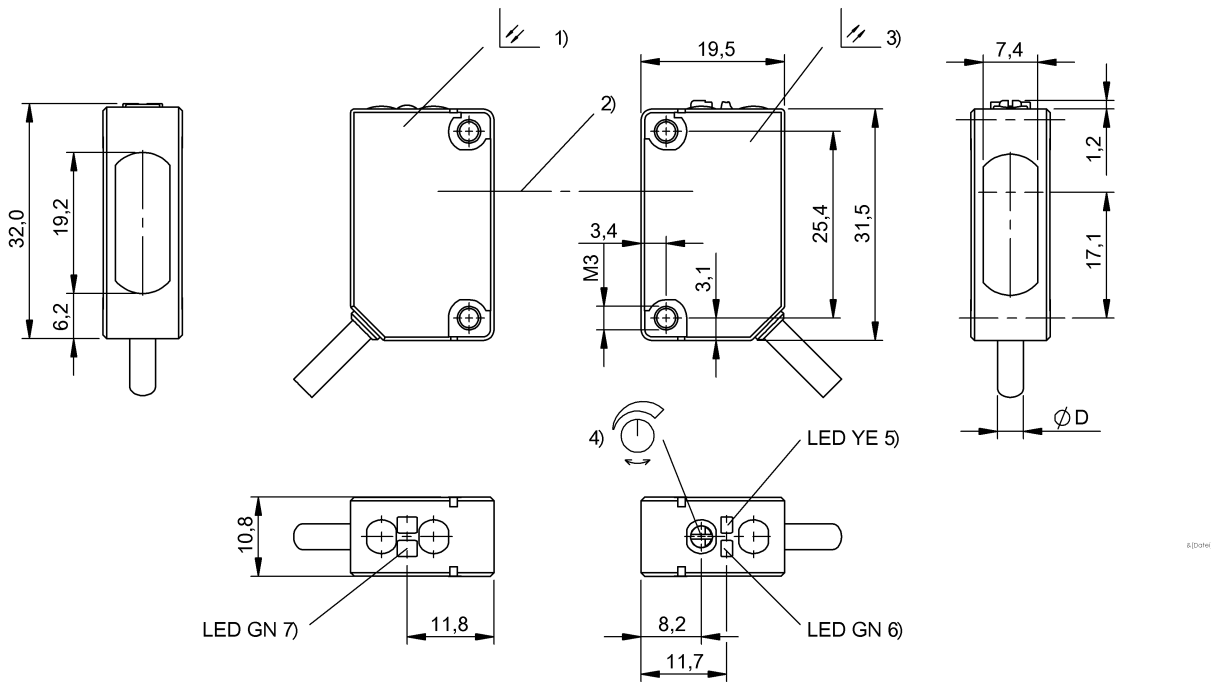


## BOS 5K-NO-IX10-02 BOS010U



1) Emitter 2) Optical axis 3) Receiver 4) Sensitivity 5) Output function 6) stability 7) Operating voltage



### Display/Operation

Adjuster	Potentiometer 270° (1x)
Setting	Sensitivity (Sn)

### Electrical connection

Cable diameter D	3.50 mm
Cable length	2 m
Conductor cross-section	0.20 mm <sup>2</sup>
Connection type	Cable, 2.00 m, PVC
Number of conductors	32
Polarity reversal protected	yes
Short-circuit protection	yes

### Electrical data

MTTF (40 °C)	44 a
Operating voltage U <sub>b</sub>	10...30 VDC
Rated operating current I <sub>e</sub> DC	100 mA
Rated operating voltage U <sub>e</sub> DC	24 V
Ready delay t <sub>v</sub> max.	100 ms
Switching frequency	500 Hz
Turn-off delay t <sub>off</sub> max.	1 ms

Turn-on delay t <sub>on</sub> max.	1 ms
Voltage drop U <sub>d</sub> max. at I <sub>e</sub>	2 V

### Environmental conditions

Ambient temperature	-25...55 °C
Protection type IEC 60529	IP67

### Functional safety

Diagnostic coverage	0 %
Functional safety	no
Mission Time	10 a

### General data

Approval/Conformity	cULus CE
Basic standard	IEC 60947-5-2
Series	5K
Style	Square Connection 45°
Trademark	Global

## BOS 5K-NO-IX10-02 BOS010U

### Material

Housing material	PC PBT
Material jacket	PVC
Material sensing surface	PMMA

### Mechanical data

Dimension	10.8 x 32.7 x 19.5 mm
Fastening detail	Screw M3

### Optical data

Ambient light max.	5000 Lux
Light type	Infrared
Principle of optical operation	Through-beam sensor
Wave length	880 nm

### Output/Interface

Switching output	NPN Normally closed (NC)
------------------	--------------------------

### Range/Distance

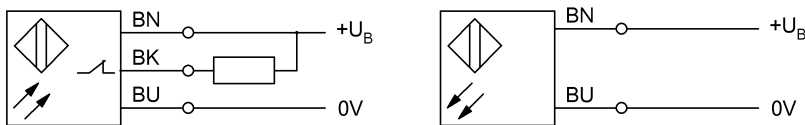
Measuring range	0...20 m
Range	0...20 m
Rated operating distance $S_n$	20 m, Adjustable
Ripple max. (% of $U_e$ )	10 %

### Remarks

Order accessories separately.  
For additional information, refer to user's guide.  
Actuation object (target): gray card, 200 x 200, lateral approach  
For further information on MTTF/B10d, please refer to the MTTF / B10d Certificate.

Specification of the MTTF value and the B10d value do not represent any binding quality and/or life expectancy guarantees.

### Wiring Diagram



### Symbols for Optoelectronic Sensors

