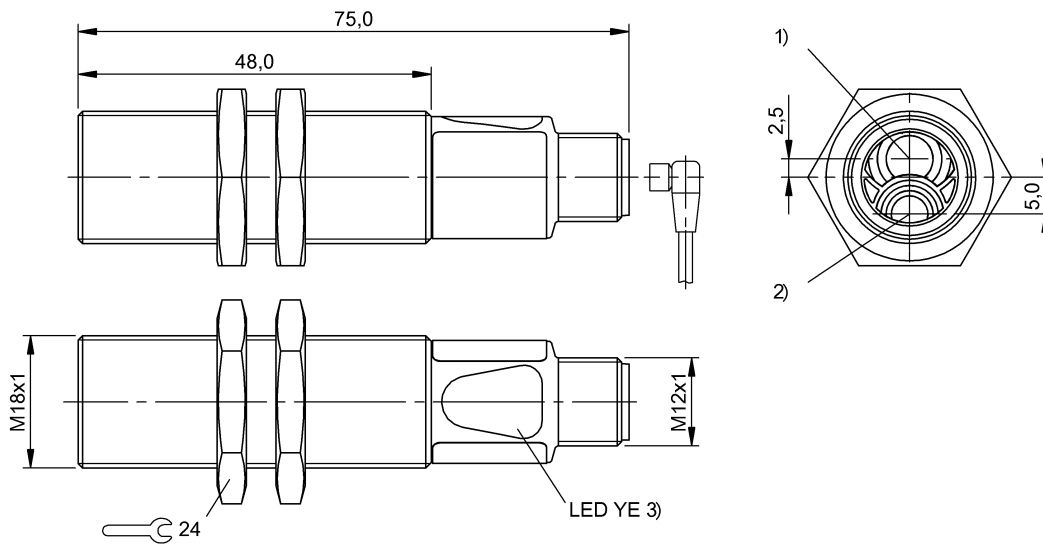


BOS 18M-PO-RD23-S4 BOS01FC



1) Optical axis receiver 2) Optical axis emitter 3) Light reception/limit area



Display/Operation

Adjuster no

Electrical connection

Connection M12x1-Connector, 4-pole, A-coded
Contact, surface protection Gold plated
Polarity reversal protected yes
Short-circuit protection yes

Electrical data

Hysteresis H max. (% of Sr) 10.0 %
Load capacitance max. at Ue 0.1 µF
No-load current I_o max. at Ue 30 mA
Operating voltage U_b 10...30 VDC
Pollution degree 3
Protected against miswiring yes
Rated insulation voltage U_i 75 V DC
Rated operating current I_e DC 100 mA
Rated operating voltage U_e DC 24 V
Switching frequency 400 Hz
Turn-off delay t_{off} max. 1.25 ms
Turn-on delay t_{on} max. 1.25 ms
Utilization category DC -13
Voltage drop U_d max. at I_e 2.5 V

Environmental conditions

Ambient temperature -5...55 °C
Protection class II
Protection type IEC 60529 IP67

General data

Approval/Conformity cULus
CE
Basic standard IEC 60947-5-2
Series 18M
Style Cylinder
Straight optics
Trademark Global

Material

Housing material Brass
Material sensing surface Glass
Surface protection nickel plates

Mechanical data

Dimension Ø 18 x 75 mm
Fastening detail Nut M18x1
Tightening torque max. 15 Nm
30 Nm

Optical data

Ambient light max. 10000 Lux
Beam characteristic Divergent
LED group per IEC 62471 Exempt Group
Light type LED Red light
Wave length 626 nm

Output/Interface

Switching output PNP Normally closed (NC)

BOS 18M-PO-RD23-S4 BOS01FC

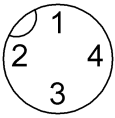
Range/Distance

Measuring range	0...400 mm
Range	0...400 mm
Rated operating distance S_n	400 mm
Ripple max. (% of U_e)	15 %
Temperature drift max. (% of S_r)	10 %

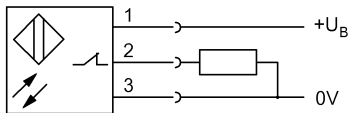
Remarks

Reference object (target): gray card, 200 x 200, 90 % remission, axial approach.
The sensor is functional again after the overload has been eliminated.
For additional information, refer to user's guide.
Order accessories separately.

Connector view



Wiring Diagram



Symbols for Optoelectronic Sensors

