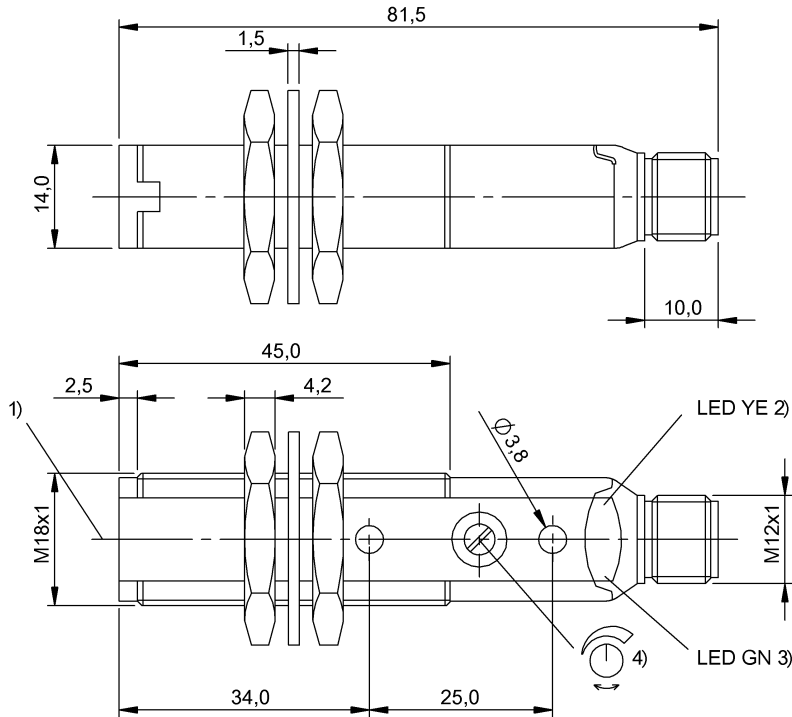


BOS 18KF-PA-1PE-S4-C BOS00K1



1) Optical axis 2) Output function 3) Stability 4) Sn



Display/Operation

Adjuster	Potentiometer 270° (1x)
Setting	Rated switching distance (Sn)

Electrical connection

Connection	M12x1-Connector, 4-pole, A-coded
Polarity reversal protected	yes
Short-circuit protection	yes

Electrical data

MTTF (40 °C)	639 a
No-load current I _o max. at U _e	35 mA
Operating voltage U _b	10...30 VDC
Rated insulation voltage U _i	75 V DC
Rated operating current I _e DC	100 mA
Rated operating voltage U _e DC	24 V
Switching frequency	1000 Hz
Turn-off delay t _{off} max.	0.5 ms
Turn-on delay t _{on} max.	0.5 ms
Voltage drop U _d max. at I _e	2 V

Environmental conditions

Ambient temperature	-25...55 °C
Protection type IEC 60529	IP67

Functional safety

Diagnostic coverage	0 %
Functional safety	no
Mission Time	10 a

General data

Approval/Conformity	CE cULus
Basic standard	IEC 60947-5-2
Series	18KF
Style	Flat cylinder Straight optics
Trademark	Global

Material

Housing material	PBT
------------------	-----

BOS 18KF-PA-1PE-S4-C BOS00K1

Material sensing surface PMMA

Mechanical data

Dimension Ø 18 x 14 mm
Fastening detail Screw M3
Nut M18x1
Tightening torque max. 1.5 Nm

Optical data

Ambient light max. 5000 Lux
Beam characteristic Divergent
Light type Infrared
Wave length 880 nm

Output/Interface

Switching output PNP Normally closed (NC)
PNP Normally open (NO)

Range/Distance

Measuring range 0...700 mm
Range 0...700 mm
Rated operating distance S_n 700 mm, Adjustable
Ripple max. (% of U_e) 8 %

Remarks

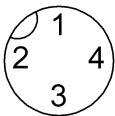
The sensor is functional again after the overload has been eliminated.
Reference object (target): gray card, 200 x 200, 90 % remission, axial approach.

For additional information, refer to user's guide.
Order accessories separately.

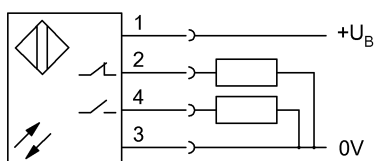
For further information on MTTF/B10d, please refer to the MTTF / B10d Certificate.

Specification of the MTTF value and the B10d value do not represent any binding quality and/or life expectancy guarantees.

Connector view



Wiring Diagram



Symbols for Optoelectronic Sensors

