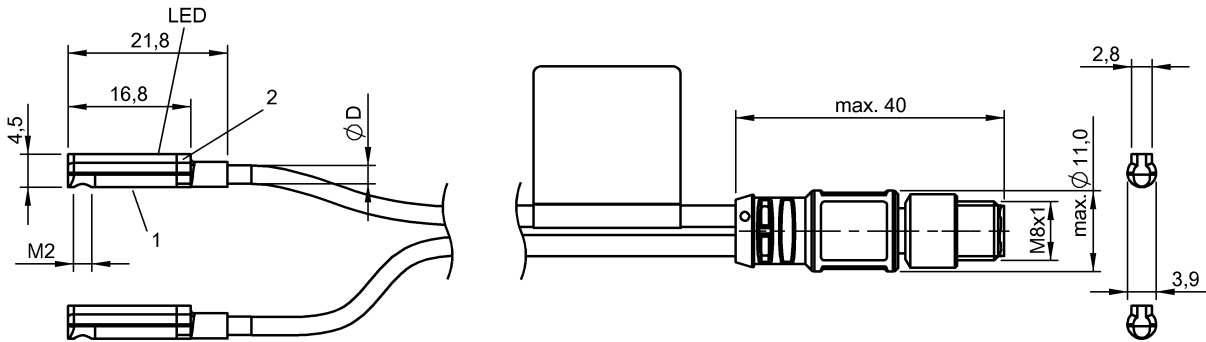


BMF 214K-PS-C-2A-SA95-S75-00,3 BMF00A5



1) Sensing surface 2) Sensor 1



Display/Operation

Function indicator	yes
--------------------	-----

Electrical connection

Cable diameter D	2.50 mm
Cable length	0.3 m
Connection	M8x1-Connector, 4-pole
Connection type	Cable with connector, 0.30 m, PUR
Polarity reversal protected	yes
Short-circuit protection	yes

Electrical data

Assured switching field strength Ha	2 kA/m
Load capacitance max. at Ue	1 µF
MTTF (40 °C)	520 a
No-load current I ₀ max., undamped	7 mA
Operating voltage U _b	10...30 VDC
Output resistance R _a	Open drain
Pollution degree	3
Protected against miswiring	yes
Rated insulation voltage U _i	75 V DC
Rated operating current I _e DC	100 mA
Rated operating voltage U _e DC	24 V
Rated short circuit current	100 A
Rated switch field strength H _n	1.2 kA/m
Residual current I _r max.	80 µA
Switching frequency	7000 Hz
Turn-off delay t _{off} max.	0.07 ms
Turn-on delay t _{on} max.	0.07 ms
Utilization category	DC -13

Voltage drop static max.	2.5 V
--------------------------	-------

Environmental conditions

Ambient temperature	-25...85 °C
Protection type IEC 60529	IP67

Functional safety

Diagnostic coverage	0 %
Functional safety	no
Mission Time	20 a

General data

Application	Optimized response path especially suited for short-stroke cylinders.
Approval/Conformity	CE cULus
Basic standard	IEC 60947-5-2
Trademark	Global

Material

Housing material	PA, PA 12
Material jacket	PUR

Mechanical data

Dimension	16.8 x 2.9 x 4.5 mm
Tightening torque	0.03 Nm

BMF 214K-PS-C-2A-SA95-S75-00,3 BMF00A5

Output/Interface

Switching output PNP Normally open (NO)

Range/Distance

Ripple max. (% of Ue) 15 %
Temp. drift max. (% of Hn) 0.3 %

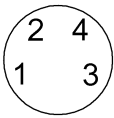
Remarks

Max. pull force on cable 10 N.
The sensor is functional again after the overload has been eliminated.
EMC: Surge resistance
External protection circuit is required. Document 825345, Section 2.

For further information on MTTF/B10d, please refer to the MTTF / B10d Certificate.

Specification of the MTTF value and the B10d value do not represent any binding quality and/or life expectancy guarantees.

Connector view



Wiring Diagram

