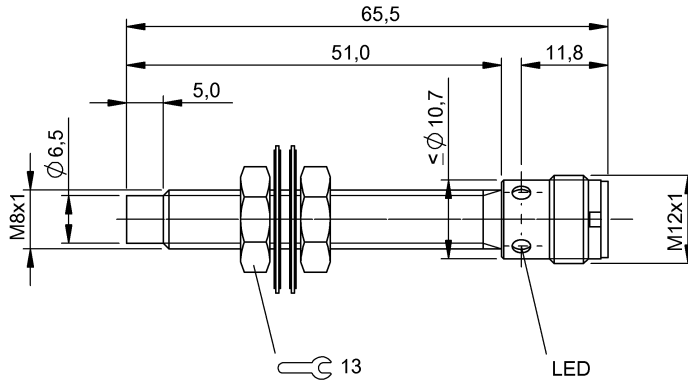


BES M08EH-NSC40F-S04G BES001A



IND. CONT. EQ
8TU2
for use in the secondary of
a class 2 source of supply
Environmental - Type 1 Enclosure



Display/Operation

Function indicator	yes
Power indicator	no

Electrical connection

Connection	M12x1-Connector, 4-pole, A-coded
Polarity reversal protected	yes
Short-circuit protection	yes

Electrical data

Hysteresis H max. (% of Sr)	15.0 %
Load capacitance max. at Ue	0.5 μ F
MTTF (40 °C)	620 a
No-load current to max., undamped	3 mA
Operating voltage U _b	10...30 VDC
Output resistance R _a	33.0 kOhm + D
Pollution degree	3
Protected against miswiring	yes
Rated insulation voltage U _i	250 V AC
Rated operating current I _e DC	200 mA
Rated operating voltage U _e DC	24 V
Rated short circuit current	100 A
Ready delay t _v max.	20 ms
Repeat accuracy max. (% of Sr)	5.0 %
Residual current I _r max.	10 μ A
Switching frequency	1500 Hz
Utilization category	DC -13
Voltage drop static max.	2.5 V

Environmental conditions

Ambient temperature	-25...70 °C
---------------------	-------------

Internet www.balluff.com
Balluff Germany +49 (0) 7158 173-0, 173-370
Balluff USA 1-800-543-8390
Balluff China +86 (0) 21-50 644131

Protection class	II
Protection type IEC 60529	IP67

Functional safety

Diagnostic coverage	0 %
Functional safety	no
Mission Time	20 a

General data

Approval/Conformity	cULus CE EAC
Basic standard	IEC 60947-5-2
Trademark	Global

Material

Housing material	Stainless steel
Material sensing surface	PBT

Mechanical data

Dimension	\varnothing 8 x 65.5 mm
Installation	non-flush
Size	M8x1
Tightening torque	8 Nm

Output/Interface

Switching output	NPN Normally open (NO)
------------------	------------------------

Range/Distance

Assured operating distance S _a	3.2 mm
---	--------

For definitions of terms, see main catalog
Subject to change without notice

eCl@ss 9.1: 27-27-01-01
ETIM 6.0: EC002714
BES001A_09-03-17_16:51

1(2)

BES M08EH-NSC40F-S04G BES001A

Range	4 mm
Rated operating distance S_n	4 mm
Ripple max. (% of U_e)	15 %
Switching distance marking	■■
Temperature drift max. (% of S_r)	10 %

Remarks

Not for flush mounting: see installation instructions for inductive sensors with extended switching distance 853924.

The sensor is functional again after the overload has been eliminated.

For further information on MTTF/B10d, please refer to the MTTF / B10d Certificate.

Specification of the MTTF value and the B10d value do not represent any binding quality and/or life expectancy guarantees.

Connector view



Wiring Diagram

