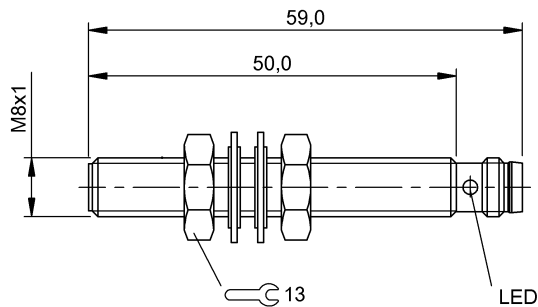


## BES M08MI-PSC15B-S49G BES003C



IND. CONT. EQ  
81U2  
US for use in the secondary of  
a class 2 source of supply  
Environmental - Type 1 Enclosure



### Display/Operation

Function indicator	yes
Power indicator	no

### Electrical connection

Connection	M8x1-Connector, 3-pole
Polarity reversal protected	yes
Short-circuit protection	yes

### Electrical data

Hysteresis H max. (% of Sr)	15.0 %
Load capacitance max. at Ue	1 $\mu$ F
MTTF (40 °C)	880 a
No-load current I <sub>0</sub> max., undamped	6 mA
Operating voltage U <sub>b</sub>	12...30 VDC
Output resistance R <sub>a</sub>	33.0 kOhm + D
Pollution degree	3
Protected against miswiring	yes
Rated insulation voltage U <sub>i</sub>	75 V DC
Rated operating current I <sub>e</sub> DC	200 mA
Rated operating voltage U <sub>e</sub> DC	24 V
Rated short circuit current	100 A
Ready delay t <sub>v</sub> max.	30 ms
Repeat accuracy max. (% of Sr)	5.0 %
Residual current I <sub>r</sub> max.	20 $\mu$ A
Switching frequency	1000 Hz
Utilization category	DC -13
Voltage drop static max.	2 V

### Environmental conditions

Ambient temperature	-25...70 °C
Protection type IEC 60529	IP67

Internet	www.balluff.com
Balluff Germany	+49 (0) 7158 173-0, 173-370
Balluff USA	1-800-543-8390
Balluff China	+86 (0) 21-50 644131

### Functional safety

Diagnostic coverage	0.0 %
Functional safety	no
Mission Time	20 a

### General data

Approval/Conformity	CE cULus EAC
Basic standard	IEC 60947-5-2
Trademark	Global

### Material

Housing material	Brass
Material sensing surface	PA 12
Surface protection	nickel plates

### Mechanical data

Dimension	$\varnothing$ 8 x 59 mm
Installation	for flush mounting
Size	M8x1
Tightening torque	3 Nm

### Output/Interface

Switching output	PNP Normally open (NO)
------------------	------------------------

### Range/Distance

Assured operating distance S <sub>a</sub>	1.2 mm
Range	1.5 mm
Rated operating distance S <sub>n</sub>	1.5 mm

For definitions of terms, see main catalog  
Subject to change without notice

eCl@ss 9.1: 27-27-01-01  
ETIM 6.0: EC002714  
BES003C\_09-03-17\_16:53

## BES M08MI-PSC15B-S49G BES003C

Ripple max. (% of Ue)	15 %
Temperature drift max. (% of Sr)	10 %

For further information on MTTF/B10d, please refer to the MTTF / B10d Certificate.

Specification of the MTTF value and the B10d value do not represent any binding quality and/or life expectancy guarantees.

### Remarks

With connector, e.g. BKS-S 49-... total length = switch length +12 mm.  
The sensor is functional again after the overload has been eliminated.

### Connector view



### Wiring Diagram

