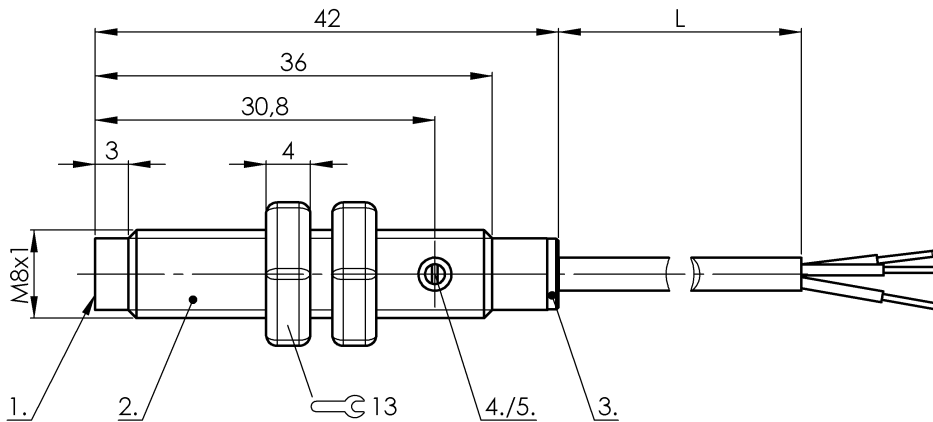


BCS M08T4E1-POM30G-EP02 BCS002J



1) Sensing surface 2) Housing 3) Cover 4) Potentiometer 5) LED function indicator



IND. CONT. EQ.
81U2
for use in the secondary of
a class 2 source of supply

Electrical connection

Cable length	2 m
Conductor cross-section	0.14 mm ²
Connection type	Cable, 2.00 m, PUR
Number of conductors	3
Polarity reversal protected	yes
Short-circuit protection	yes

Electrical data

Hysteresis H max. (% of Sr)	15.0 %
MTTF (40 °C)	444 a
Operating voltage U _b	11...30 VDC
Protected against miswiring	yes
Rated insulation voltage U _i	75 V DC
Rated operating current I _e DC	50 mA
Repeat accuracy max. (% of Sr)	2.0 %
Switching frequency	100 Hz
Utilization category	DC -13
Voltage drop static max.	2 V

Environmental conditions

Ambient temperature	-10...70 °C
Protection type IEC 60529	IP65

Functional safety

Diagnostic coverage	0 %
Functional safety	no

General data

Approval/Conformity	CE cULus
Basic standard	IEC 60947-5-2
Scope of delivery	Nut (2x)
Sensitivity	Switching distance adjustable

Material

Cover material	POM
Housing material	Stainless steel (1.4301)
Material cover	POM
Material jacket	PUR
Material sensing surface	PTFE

Mechanical data

Dimension	undefined
Installation	non-flush
Size	M8x1
Tightening torque	6 Nm

Output/Interface

Switching output	PNP Normally closed (NC)
------------------	--------------------------

Range/Distance

Measuring range	0.1...3 mm
Range	0.1...3 mm
Rated operating distance S _n	3 mm
Ripple max. (% of U _e)	10 %
Temperature drift max. (% of Sr)	15 %

BCS M08T4E1-POM30G-EP02 BCS002J

For further information on MTTF/B10d, please refer to the MTTF / B10d Certificate.

Specification of the MTTF value and the B10d value do not represent any binding quality and/or life expectancy guarantees.

Wiring Diagram

