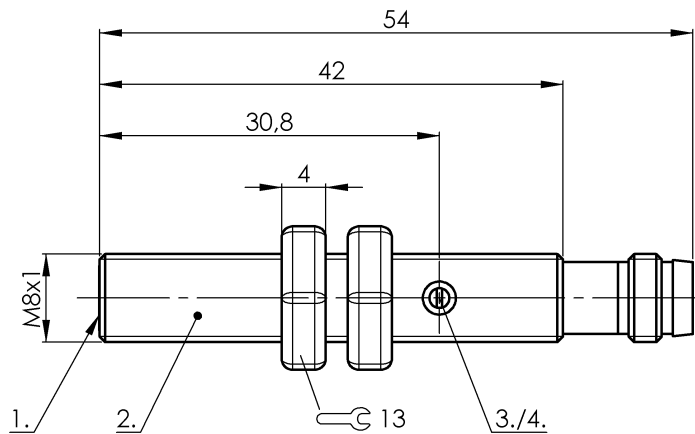


BCS M08T4E2-PSM15C-S49G BCS002A



1) Sensing surface 2) Housing 3) Potentiometer 4) LED function indicator



Electrical connection

Connection	M8x1-Connector, 3-pole
Polarity reversal protected	yes
Short-circuit protection	yes

Electrical data

Hysteresis H max. (% of Sr)	15.0 %
MTTF (40 °C)	444 a
Operating voltage U_b	11...30 VDC
Protected against miswiring	yes
Rated insulation voltage U_i	75 V DC
Rated operating current I_e DC	50 mA
Repeat accuracy max. (% of Sr)	2.0 %
Switching frequency	100 Hz
Utilization category	DC -13
Voltage drop static max.	2 V

Environmental conditions

Ambient temperature	-10...70 °C
Protection type IEC 60529	IP65

Functional safety

Diagnostic coverage	0 %
Functional safety	no

General data

Approval/Conformity	CE cULus
---------------------	-------------

Basic standard
Scope of delivery
Sensitivity

IEC 60947-5-2
Nut (2x)
Switching distance adjustable

Material

Housing material	Stainless steel (1.4301)
Material sensing surface	PTFE

Mechanical data

Dimension	undefined
Installation	for flush mounting
Size	M8x1
Tightening torque	6 Nm

Output/Interface

Switching output	PNP Normally open (NO)
------------------	------------------------

Range/Distance

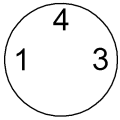
Measuring range	0.1...1.5 mm
Range	0.1...1.5 mm
Rated operating distance S_n	1.5 mm
Ripple max. (% of U_e)	10 %
Temperature drift max. (% of Sr)	15 %

For further information on MTTF/B10d, please refer to the MTTF / B10d Certificate.

Specification of the MTTF value and the B10d value do not represent any binding quality and/or life expectancy guarantees.

BCS M08T4E2-PSM15C-S49G
BCS002A

Connector view



Wiring Diagram

