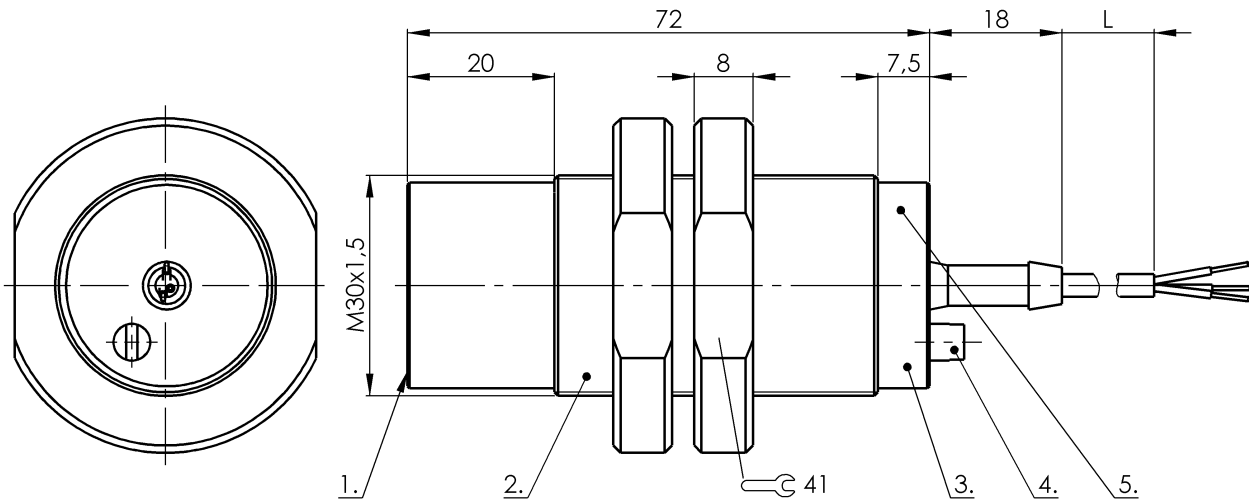


## BCS M30TTH2-POCFAG-AT02 BCS0087



1) Sensing surface 2) Housing 3) Cover 4) Potentiometer 5) LED function indicator



### Electrical connection

Cable length	2 m
Conductor cross-section	0.20 mm <sup>2</sup>
Connection type	Cable, 2.00 m, PTFE
Number of conductors	3
Polarity reversal protected	yes
Short-circuit protection	yes

### Electrical data

MTTF (40 °C)	221 a
Operating voltage U <sub>b</sub>	10...35 VDC
Protected against miswiring	yes
Rated insulation voltage U <sub>i</sub>	75 V DC
Rated operating current I <sub>e</sub> DC	300 mA
Switching frequency	2 Hz
Utilization category	DC -13
Voltage drop static max.	1.8 V

### Environmental conditions

Ambient temperature	-10...60 °C
Protection type IEC 60529	IP67

### Functional safety

Diagnostic coverage	0 %
Functional safety	no

### General data

Approval/Conformity	CE cULus
---------------------	-------------

Basic standard  
Scope of delivery  
Sensitivity  
Series

IEC 60947-5-2  
Nut (2x)  
media-dependent, adjustable  
Level sensor

### Material

Cover material	PTFE
Housing material	PTFE
Material cover	PTFE
Material jacket	PTFE
Material sensing surface	PTFE

### Mechanical data

Dimension	undefined
Installation	non-flush
Size	M30x1.5
Tightening torque	2 Nm

### Output/Interface

Switching output	PNP Normally closed (NC)
------------------	--------------------------

### Range/Distance

Ripple max. (% of U <sub>e</sub> )	10 %
------------------------------------	------

### Remarks

Note for using in standard applications with aqueous media: The Smart Level sensors are factory adjusted for standard applications. With this setting the Smart Level sensors can be used without further adjustment for detecting aqueous media through glass or plastic walls. The factory setting can automatically mask glass or plastic walls (approx. 0.5 mm to 6 mm) and

## BCS M30TTH2-POCFAG-AT02 BCS0087

compensate for foam, moisture and dirt buildup inside and outside the container. Special applications: The Smart Level sensors can also be used with aqueous media in previously unsolvable and critical applications such as through glass or plastic walls thicker than 6 mm. Here the user can change the factory setting.  
IP67 only with additional sealing measure at the cable entry, e.g. heat-shrink tubing

For further information on MTTF/B10d, please refer to the MTTF / B10d Certificate.

Specification of the MTTF value and the B10d value do not represent any binding quality and/or life expectancy guarantees.

### Wiring Diagram

