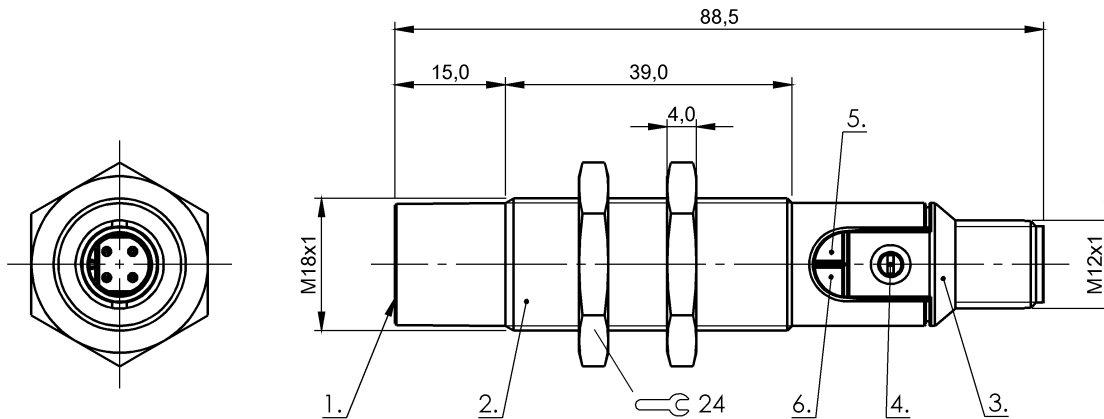


BCS M18BBG2-PSC15H-S04K BCS00LM



1) Sensing surface 2) Housing 3) Cover 4) Potentiometer 5) LED Power 6) LED function indicator



IND. CONT. EQ.
81U2
for use in the secondary of
a class 2 source of supply

Display/Operation

| | |
|--------------------|-----|
| Function indicator | yes |
| Power indicator | yes |

Electrical connection

| | |
|-----------------------------|----------------------------------|
| Connection | M12x1-Connector, 4-pole, A-coded |
| Polarity reversal protected | yes |
| Short-circuit protection | yes |

Electrical data

| | |
|---|-------------|
| Hysteresis H max. (% of Sr) | 15.0 % |
| MTTF (40 °C) | 226 a |
| No-load current I ₀ max., undamped | 13 mA |
| Operating voltage U _b | 10...30 VDC |
| Protected against miswiring | no |
| Rated insulation voltage U _i | 75 V DC |
| Rated operating current I _e DC | 100 mA |
| Rated operating voltage U _e DC | 24 V |
| Ready delay t _v max. | 300 ms |
| Repeat accuracy max. (% of Sr) | 2.0 % |
| Switching frequency | 100 Hz |
| Utilization category | DC -13 |
| Voltage drop static max. | 1.5 V |

Environmental conditions

| | |
|---------------------------|-------------|
| Ambient temperature | -25...85 °C |
| Protection class | II |
| Protection type IEC 60529 | IP67 |
| Storage temperature | -25...85 °C |

Functional safety

| | |
|---------------------|-----|
| Diagnostic coverage | 0 % |
| Functional safety | no |

General data

| | |
|---------------------|-------------------------------|
| Approval/Conformity | CE cULus |
| Basic standard | IEC 60947-5-2 |
| Scope of delivery | Nut (2x) |
| Sensitivity | Switching distance adjustable |
| Trademark | Global |

Material

| | |
|--------------------------|-----------|
| Cover material | PBT PA |
| Housing material | PBT |
| Material cover | PBT/PA |
| Material sensing surface | PBT |

Mechanical data

| | |
|-------------------|----------------|
| Dimension | Ø 18 x 88.5 mm |
| Installation | non-flush |
| Size | M18x1 |
| Tightening torque | 2 Nm |

Output/Interface

| | |
|------------------|------------------------|
| Switching output | PNP Normally open (NO) |
|------------------|------------------------|

BCS M18BBG2-PSC15H-S04K BCS00LM

Range/Distance

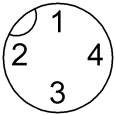
| | |
|--------------------------------|-----------|
| Measuring range | 2...15 mm |
| Range | 2...15 mm |
| Rated operating distance S_n | 15 mm |

| | |
|--------------------------------------|-------------------|
| Ripple max. (% of U_e) | 10 % |
| Temperature drift max. (% of S_r) | 20 % [-5...55 °C] |

For further information on MTTF/B10d, please refer to the MTTF / B10d Certificate.

Specification of the MTTF value and the B10d value do not represent any binding quality and/or life expectancy guarantees.

Connector view



Wiring Diagram

