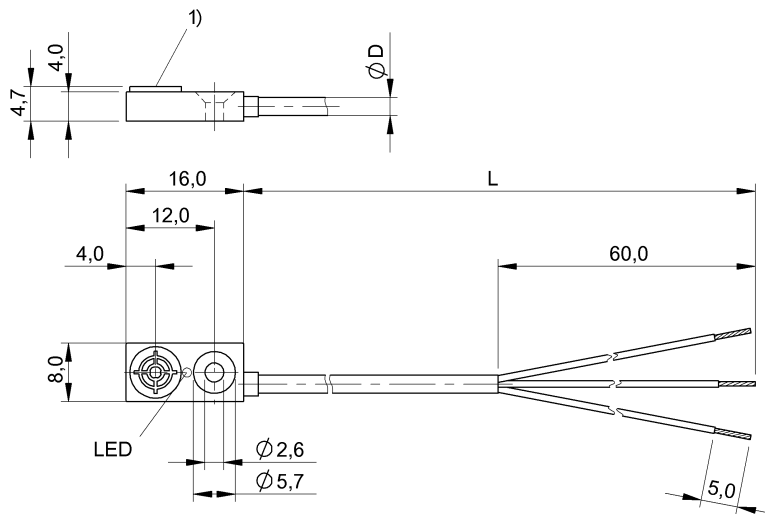


BES R04KC-PSC15B-EV02 BES01YJ



1) Sensing surface



IND. CONT. EQ
81U2
for use in the secondary of
a class 2 source of supply
Environmental - Type 1 Enclosure



Display/Operation

Function indicator	yes
Power indicator	no

Electrical connection

Cable diameter D	2.50 mm
Cable length	2 m
Conductor cross-section	0.09 mm ²
Connection type	Cable, 2.00 m, PVC
Number of conductors	3
Polarity reversal protected	yes
Short-circuit protection	yes

Electrical data

Hysteresis H max. (% of Sr)	15.0 %
Load capacitance max. at Ue	0.2 µF
MTTF (40 °C)	830 a
No-load current I ₀ max., undamped	3 mA
Operating voltage U _b	10...30 VDC
Output resistance R _a	Open emitter
Pollution degree	3
Protected against miswiring	yes
Rated insulation voltage U _i	75 V DC
Rated operating current I _e DC	100 mA
Rated operating voltage U _e DC	24 V
Rated short circuit current	100 A
Ready delay t _v max.	20 ms
Repeat accuracy max. (% of Sr)	1.0 %
Residual current I _r max.	50 µA
Switching frequency	2500 Hz
Utilization category	DC -12

Voltage drop static max.

2.5 V

Environmental conditions

Ambient temperature	-25...70 °C
Protection type IEC 60529	IP67

Functional safety

Diagnostic coverage	0 %
Functional safety	no
Mission Time	20 a

General data

Approval/Conformity	CE cULus EAC
Basic standard	IEC 60947-5-2

Material

Housing material	PA, PA 6GF30
Material jacket	PVC
Material sensing surface	PA 6, GF30

Mechanical data

Dimension	16 x 8 x 4.7 mm
Installation	for flush mounting

Output/Interface

Switching output	PNP Normally open (NO)
------------------	------------------------

BES R04KC-PSC15B-EV02 BES01YJ

Range/Distance

Assured operating distance Sa	1.2 mm
Range	1.5 mm
Rated operating distance Sn	1.5 mm
Ripple max. (% of Ue)	15 %
Temperature drift max. (% of Sr)	10 %

Remarks

The sensor is functional again after the overload has been eliminated.

For further information on MTTF/B10d, please refer to the MTTF / B10d Certificate.

Specification of the MTTF value and the B10d value do not represent any binding quality and/or life expectancy guarantees.

Wiring Diagram

