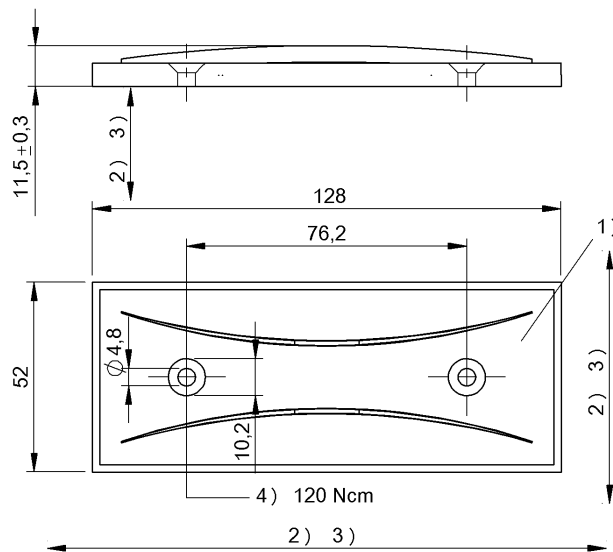


BIS M-136-03/L BIS00W9



1) Sensing surface 2) Clear zone 3) see corresponding R/W head 4) Tightening torque



Electrical data

| | |
|---------------------------|--|
| Data retention time/years | ≥ 10 |
| Memory capacity | 112 Byte |
| Memory organization | 28 × 4 bytes |
| Memory size, read | 8 Byte |
| Programming cycles | ≥ 100 000 |
| Programming time | for 16 bytes: 0.040s |
| Read cycles | Unlimited |
| Read time | for 16 bytes: 0.02 s User ID for 4 bytes: 0.02s |

Environmental conditions

| | |
|--------------------------------------|-------------|
| Ambient temperature | -20...85 °C |
| EN 60068-2-27, Continuous shock load | yes |
| EN 60068-2-27, Shock | yes |
| EN 60068-2-6, Vibration | yes |
| Protection type IEC 60529 | IP68 |
| Storage temperature | -40...85 °C |

Functional safety

| | |
|-------------------------|-----|
| EN 60068-2-32 Free fall | yes |
|-------------------------|-----|

General data

| | |
|---------------------|---------------|
| Antenna type | right-angle |
| Approval/Conformity | CE |
| EN 55011 | Size 1, Cl. A |
| EN 55022 | Size 1, Cl. B |

Material

| | |
|------------------|-----|
| Housing material | ABS |
|------------------|-----|

Mechanical data

| | |
|--------------------|----------------------------|
| Application weight | 47.00 g |
| Dimension | 52 x 11.5 x 128 mm |
| Installation | with clear zone (in steel) |

Remarks

For installation in metal: Observe clear zone.
Time specification includes data check.
For installation requirements see corresponding read/write head.
Only when used together with the appropriate read/write head.
Values are under rated conditions unless otherwise specified.