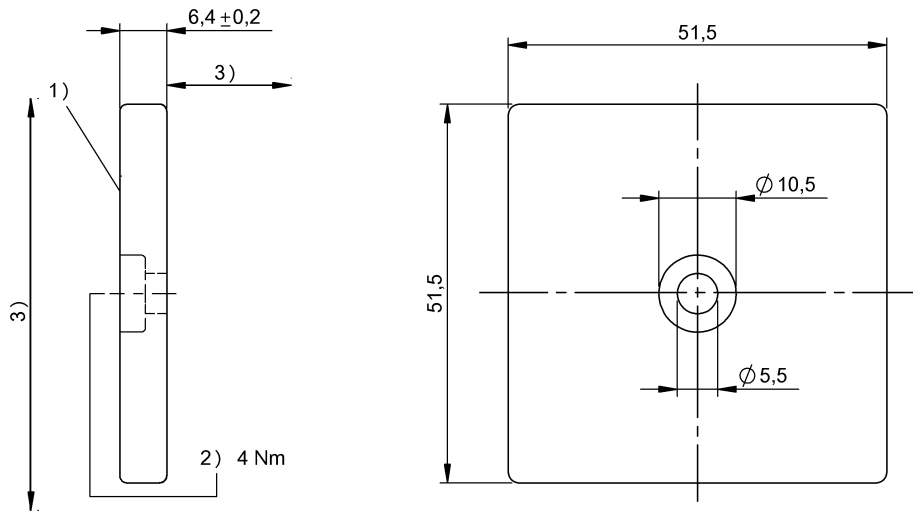


BIS M-135-03/L-HT BIS00Y4



1) Sensing surface 2) Tightening torque 3) see R/W head table



Electrical data

Data retention time/years	≥ 10
Memory capacity	112 Byte
Memory organization	28 × 4 bytes
Memory size, read	8 Byte
Programming cycles	up to 70 °C: 100,000
Programming time	for 16 bytes: 0.1s
Read cycles	Unlimited
Read time	for 16 bytes: 0.03 s User ID for 8 bytes: 0.02 s

Environmental conditions

Ambient temperature	-40...85 °C
EN 60068-2-27, Continuous shock load	yes
EN 60068-2-27, Shock	yes
EN 60068-2-6, Vibration	yes
Protection type IEC 60529	IP68 x9K
Storage temperature	-40...220 °C

Functional safety

EN 60068-2-32 Free fall	yes
-------------------------	-----

General data

Antenna type	round
Approval/Conformity	CE Ecolab
EN 55011	Size 1, Cl. A
EN 55022	Size 1, Cl. B

Material

Housing material	PPS
------------------	-----

Mechanical data

Application weight	25.00 g
Dimension	51.5 x 6.4 x 51.5 mm
Installation	with clear zone (in steel)

Remarks

For installation in metal: Observe clear zone.
Time specification includes data check.
For installation requirements see corresponding read/write head.
Only when used together with the appropriate read/write head.
Values are under rated conditions unless otherwise specified.
The data carrier meets the device protection level EPL Gb and can therefore be used in Zone 1 with Gas Group II. A and II. B.
Storage temperature 1000 h or 1500 cycles à 30 min.