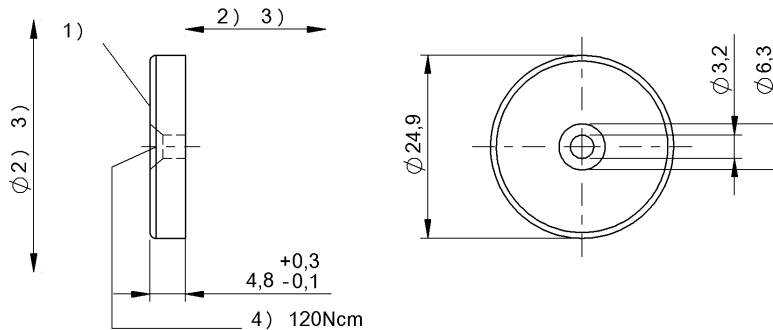


## BIS M-132-03/L-HT BIS00YE



1) Sensing surface 2) Clear zone 3) see corresponding R/W head 4) Tightening torque



### Electrical data

Data retention time/years	≥ 10
Memory capacity	112 Byte
Memory organization	28 × 4 bytes
Memory size, read	8 Byte
Programming cycles	up to 70 °C: 100,000
Programming time	for 16 bytes: 0.1s
Read cycles	Unlimited
Read time	for 16 bytes: 0.03 s User ID for 8 bytes: 0.02 s

### Environmental conditions

Ambient temperature	-40...85 °C
EN 60068-2-27, Continuous shock load	yes
EN 60068-2-27, Shock	yes
EN 60068-2-6, Vibration	yes
Protection type IEC 60529	IP68 x9K
Storage temperature	-40...220 °C

### Functional safety

EN 60068-2-32 Free fall	yes
-------------------------	-----

### General data

Antenna type	round
Approval/Conformity	CE Ecolab
EN 55011	Size 1, Cl. A
EN 55022	Size 1, Cl. B

### Material

Housing material	PPS
------------------	-----

### Mechanical data

Application weight	4.00 g
Dimension	Ø 24.9 x 4.8 mm
Installation	with clear zone (in steel)

### Remarks

For installation in metal: Observe clear zone.  
The data carrier meets the device protection level EPL Gb and can therefore be used in Zone 1 with Gas Group II, A, II, B and II.C used.  
Time specification includes data check.  
For installation requirements see corresponding read/write head.  
Only when used together with the appropriate read/write head.  
Values are under rated conditions unless otherwise specified.  
Storage temperature 1000 h or 1500 cycles à 30 min.