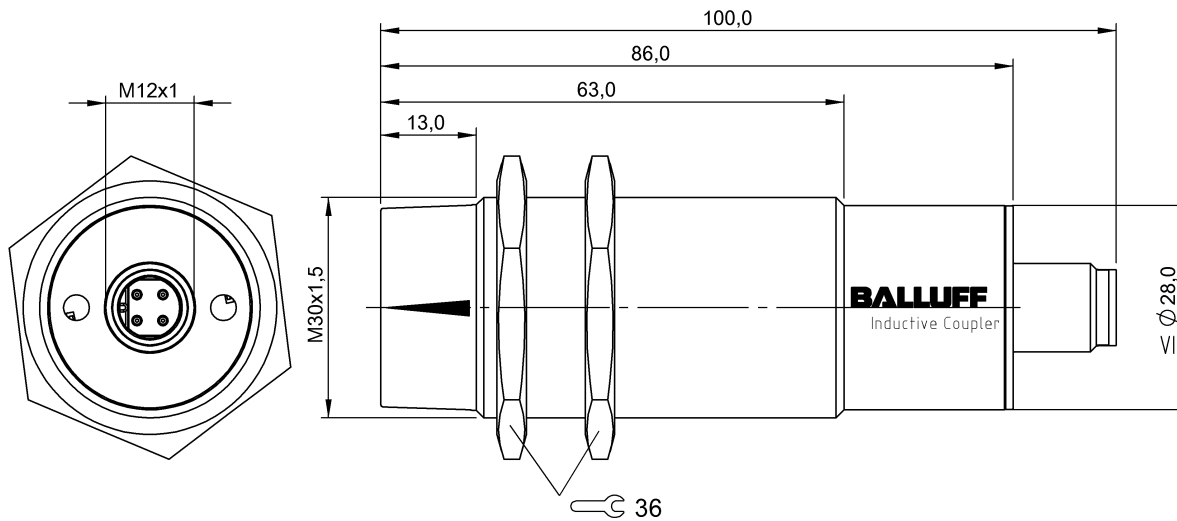


BIC 1P0-P2A50-M30MI3-SM4A4A BIC0007



Display/Operation

InZone indicator	yes
Power indicator	yes

Electrical connection

Connection	M12x1, 4-pole
Short-circuit protection	yes

Electrical data

Rated operating current I_e DC	1000 mA
Rated operating voltage U_e DC	24 V
Switching frequency	10 Hz
Transmission power	12 W

Environmental conditions

Ambient temperature	-5...55 °C
Interference immunity	EN 61000-4-2/3/4/5/6
Protection type IEC 60529	IP67
Storage temperature	-25...75 °C

General data

Approval/Conformity	CE
Component	Base
Function	Power only

Material

Housing material	Brass
Housing material, surface protection	coated
Material sensing surface	PC

Mechanical data

Dimension	undefined
Installation	non-flush
Offset	±4 mm
Size	M30x1.5
Tightening torque max.	70 Nm
Tightening torque pigtail	0.6 Nm

Output/Interface

Digital inputs	PNP
----------------	-----

Range/Distance

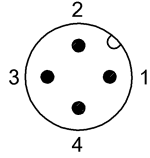
Range	0...5 mm
Ripple max. (% of U_e)	5 %
Transmission distance	0...5 mm

Remarks

Enclosure rating per IEC 60529, only in screwed state with the associated mating piece.
Use the BIC 1P0-P2A50-M30MI3-SM4A4A base unit only with the BIC 2P0-P2A50-M30MI3-SM4A5A Remote!

BIC 1P0-P2A50-M30MI3-SM4A4A
BIC0007

Connector view



PIN 1: +24V PIN 3: 0V