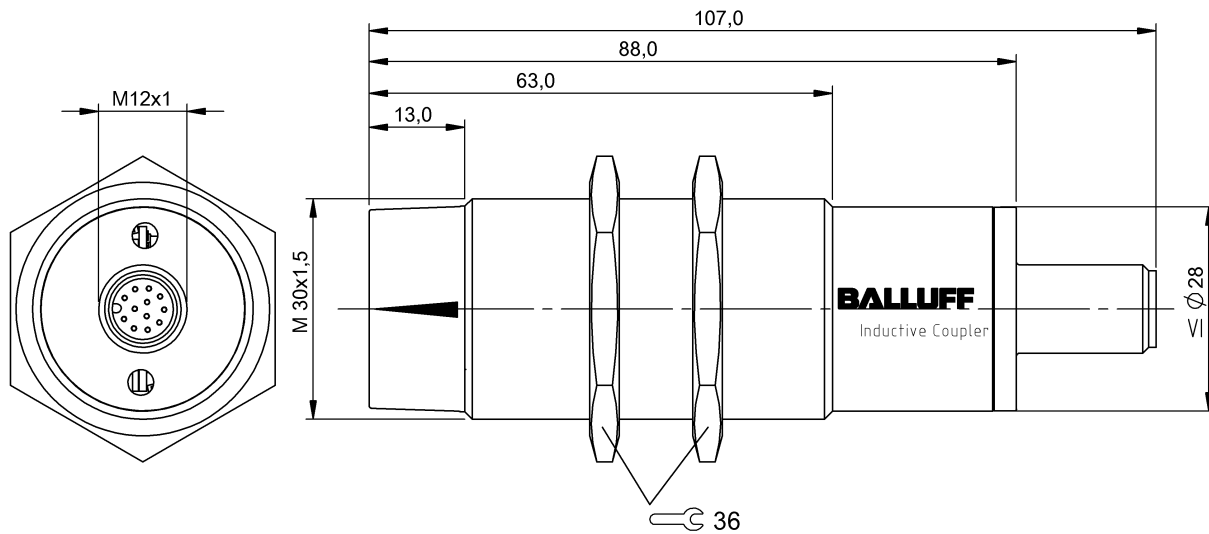


## BIC 113-P2A50-M30MI3-SM4ACA BIC0009



### Display/Operation

Function indicator	yes
InZone indicator	yes
Power indicator	yes

### Electrical connection

Connection	M12x1, 12-pole
Short-circuit protection	yes

### Electrical data

Current load per output max.	50 mA
MTTF (40 °C)	83 a
Rated operating current Ie DC	1000 mA
Rated operating voltage Ue DC	24 V
Switching frequency	40 Hz
Transmission power	12 W

### Environmental conditions

Ambient temperature	0...55 °C
Interference immunity	EN 61000-4-2/3/4/5/6
Protection type IEC 60529	IP67
Storage temperature	-25...75 °C

### Functional safety

Diagnostic coverage	0 %
Functional safety	no
Mission Time	20 a

### General data

Approval/Conformity	CE
Component	Base
Function	Uni standard

### Material

Housing material	Brass
Housing material, surface protection	coated
Material sensing surface	PC

### Mechanical data

Dimension	undefined
Installation	non-flush
Offset	±4 mm
Size	M30x1.5
Tightening torque max.	70 Nm
Tightening torque pigtail	0.6 Nm

### Output/Interface

Switching output	PNP
------------------	-----

### Range/Distance

Range	0...5 mm
Ripple max. (% of Ue)	5 %
Transmission distance	0...5 mm

## BIC 113-P2A50-M30MI3-SM4ACA BIC0009

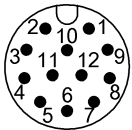
### Remarks

Enclosure rating per IEC 60529, only in screwed state with the associated mating piece.  
Use the BIC 113-P2A50-M30MI3-SM4ACA base unit only with the BIC 213-P2A50-M30MI3-SM4ACA Remote!

For further information on MTTF/B10d, please refer to the MTTF / B10d Certificate.

Specification of the MTTF value and the B10d value do not represent any binding quality and/or life expectancy guarantees.

### Connector view



PIN 1: +24V PIN10: Output 8 PIN 11: In  
Zone PIN12: n.c. PIN 2: 0V PIN 3: Output 1 PIN 4:  
Output 2 PIN 5: Output 3 PIN 6: Output 4 PIN 7:  
Output 5 PIN 8: Output 6 PIN 9: Output 7