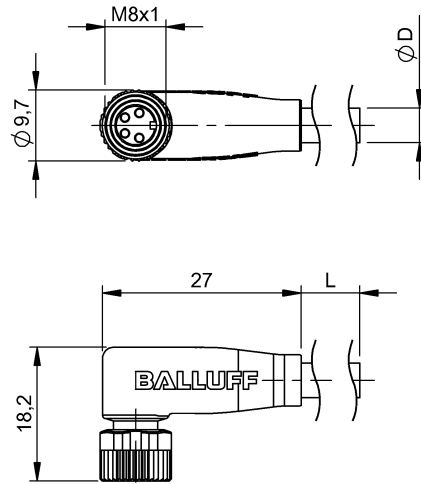


BCC M324-0000-10-003-VX44T2-100  
BCC059Z



4MT5  
(CJ/VV CABLE ASSEMBLY)

## Electrical connection

Bending radius min., fixed cable	5 x D
Bending radius min., flexible cable	10 x D
Cable	PVC yellow, 10.00 m, Drag chain compatible
Cable diameter D	5.00 mm ±0.15 mm
Cable, bending cycles min.	2 million
Conductor cross-section	AWG 22
Number of conductors	4
Number of pins	4
System	Molded

## Electrical data

Cable rated voltage AC max.	300.0 V
Cable rated voltage DC max.	300.0 V
Horizontal travel permitted, drag chain	5 m
Rated current (40 °C)	4.0 A
Vertical travel permitted, drag chain	2 m

## Environmental conditions

Cable temperatur, drag chain	-5...60 °C
Cable temperature, fixed routing	-40...105 °C
Cable temperature, flexible routing	-5...105 °C

Protection type IEC 60529

IP67

## General data

Approval/Conformity cULus LISTED

## Material

Material contact carrier	PUR
Material contacts	Bronze
Material cover nut	Die-cast zinc
Material grip	TPU

## Mechanical data

Acceleration max., drag chain	5 m/s <sup>2</sup>
Tightening torque pigtail	0.4 Nm
Traverse speed max., drag chain	200 m/min

## Remarks

Enclosure rating per IEC 60529, only in screwed state with the associated mating piece.

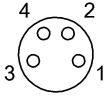
Cable construction acc. to UL-AWM Style 10493

Bulk cable approval per UL-AWM Style 2661 & CSA AWM I/II A/B

Flame-retarding acc. to IEC 60332-2

BCC M324-0000-10-003-VX44T2-100  
BCC059Z

## Connector view



PIN 1: brown PIN 2: white PIN 3: blue PIN 4: black

## Wiring Diagram

