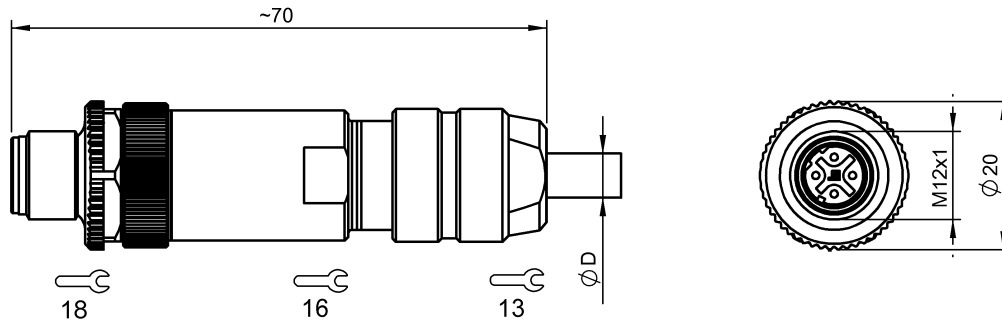


BCC M474-0000-2D-000-51X475-000
BCC03WZ



Display/Operation

Power indicator no

Electrical connection

Cable diameter D 5...8 mm
Contact shield Iris spring
Number of pins 4
System Can be fabricated

Electrical data

Rated current (40 °C) 4.0 A

Environmental conditions

Ambient temperature -25...85 °C
Cable temperature, flexible routing -20...60 °C

Protection type IEC 60529

IP67

Material

Material contact carrier PA
Material contacts Brass
Material cover nut Die-cast zinc
Material grip Die-cast zinc

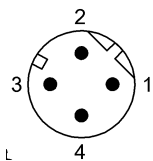
Mechanical data

Connection cross-section 0.14...0.75 mm²
Tightening torque pigtail 0.6 Nm
Type of wire mounting Screw terminals

Remarks

Enclosure rating per IEC 60529, only in screwed state with the associated mating piece.

Connector view



PIN 1-4 usable