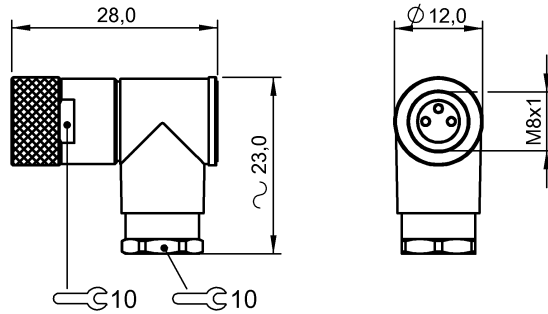


BCC M343-0000-10-000-34X325-000
BCC06YY



Display/Operation

Power indicator no

Electrical connection

Cable diameter D 3.5...5 mm
Number of pins 3
System Can be fabricated

Electrical data

Rated current (40 °C) 4.0 A

Environmental conditions

Ambient temperature -25...85 °C
Protection type IEC 60529 IP67

Material

Material contact carrier PA
Material contacts Brass
Material cover nut Brass
Material grip PBT

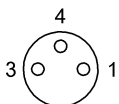
Mechanical data

Connection cross-section 0.14...0.34 mm²
Tightening torque pigtail 0.4 Nm
Type of wire mounting Solder connections

Remarks

Enclosure rating per IEC 60529, only in screwed state with the associated mating piece.

Connector view



PIN 1-3 usable