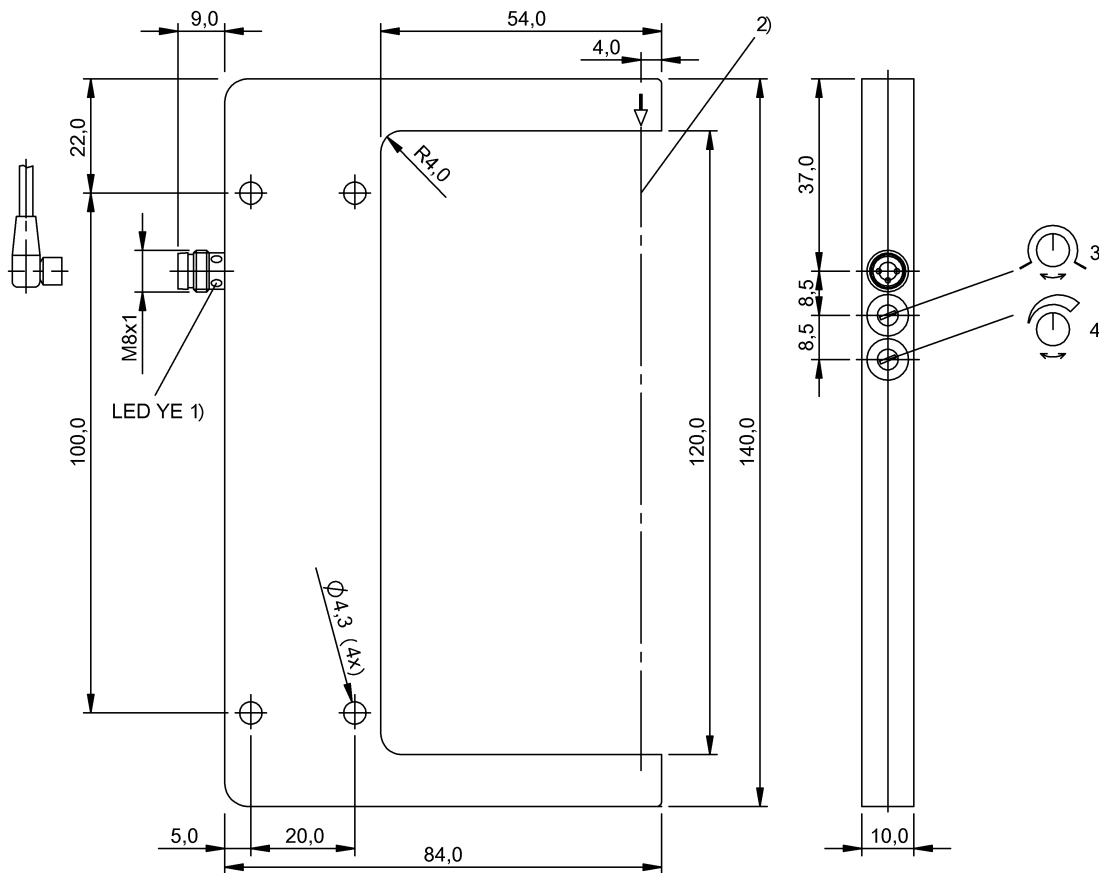


BGL 120A-001-S49
BGL0007



1) Output function 2) Optical axis 3) Light-on/dark-on 4) Sensitivity



Display/Operation

Adjuster	Potentiometer 270° (2x)
Setting	Sensitivity Light-on/dark-on

Repeat accuracy lateral max.	80 µm
Residual current I _r max.	50 µA
Switching frequency	1500 Hz
Turn-off delay t _{off} max.	0.333 ms
Turn-on delay t _{on} max.	0.333 ms
Utilization category	DC -13
Voltage drop U _d max. at I _e	3 V

Electrical connection

Connection	M8x1-Connector, 3-pole
Contact, surface protection	Gold plated
Polarity reversal protected	yes
Short-circuit protection	yes

Environmental conditions

Ambient temperature	-10...60 °C
Protection type IEC 60529	IP67

Electrical data

Hysteresis H max.	0.2 mm
Load capacitance max. at U _e	1 µF
No-load current I _o max. at U _e	35 mA
Operating voltage U _b	10...30 VDC
Protected against miswiring	yes
Rated insulation voltage U _i	75 V DC
Rated operating current I _e DC	200 mA
Rated operating voltage U _e DC	24 V
Ready delay t _v max.	200 ms

General data

Approval/Conformity	CE cULus
Basic standard	IEC 60947-5-2
Series	A
Style	Fork Straight connection
Trademark	Global

BGL 120A-001-S49 BGL0007

Material

Housing material	Zinc, Die casting
Material sensing surface	Glass
Surface protection	painted

Mechanical data

Dimension	10 x 140 x 93 mm
Fastening detail	Screw M4
Fork opening	120 mm
Smallest part typ.	0.50 mm

Optical data

Ambient light max.	5000 Lux
Beam characteristic	Divergent
Light type	LED Red light
Principle of optical operation	Through-beam sensor
Wave length	636 nm

Output/Interface

Switching output	PNP Normally open/Normally closed (NO/NC)
------------------	---

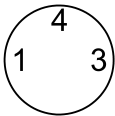
Range/Distance

Ripple max. (% of Ue)	10 %
-----------------------	------

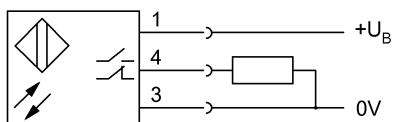
Remarks

Order accessories separately.
For additional information, refer to user's guide.
Factory default setting for switching output: Normally open.
Reference object (target): Steel plate, 50 x 50, thickness 0.5 mm, lateral approach.
The sensor is functional again after the overload has been eliminated.
Only for applications per NFPA 79 (machines with a supply voltage of maximum 600 V). Use an R/C (CYJV2) cable with suitable properties for attaching the device.

Connector view



Wiring Diagram



Symbols for Optoelectronic Sensors

