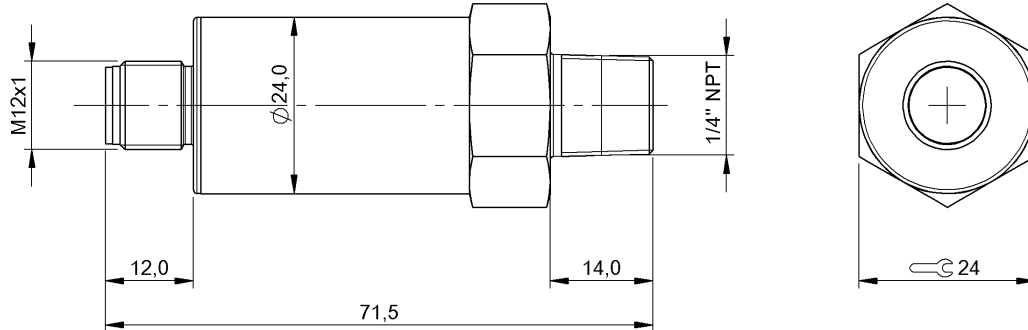


## BSP B005-FV004-A06A1A-S4 BSP00HA



### Electrical connection

Connection	M12x1-Connector, 4-pole, A-coded
Electrical version	2-wire
Polarity reversal protected	yes
Short-circuit protection	yes

### Electrical data

Current draw max.	25 mA
Load cycles	100 million
MTTF (40 °C)	1388 a
Operating voltage $U_b$	8...32 VDC

### Environmental conditions

Ambient temperature	-40...85 °C
Compensation temperature	-25...85 °C
EN 60068-2-27, Shock	500 g, 1 ms
EN 60068-2-6, Vibration	10 g, 25...2000 Hz
Interference immunity	EN 61000-6-2: 2005
Medientemperatur	-40...125 °C
Noise emission	EN 61000-6-4: 2007
Protection class	III
Protection type IEC 60529	IP67
Storage temperature	-40...85 °C
Temperature coefficient typ.	$\leq \pm 0.5$ % FSO/10K

### Functional safety

Diagnostic coverage	0.0 %
Functional safety	no
Mission Time	0 a

### General data

Approval/Conformity	CE
---------------------	----

### Material

Connector housing, material	Nickel-plated brass
Gasket, material	FKM
Housing material	Stainless steel (1.4301)

### Mechanical data

Tightening torque max.	30 Nm
Weight	120.00 g

### Output/Interface

Analog output	Analog, current, 4...20 mA
---------------	----------------------------

### Range/Distance

Burst pressure	15.00 bar
Long-term stability max.	0.3 % FSO/year
Overload pressure	10 bar
Resolution	$\leq 14$ Bit
Sampling rate	1 ms

### Remarks

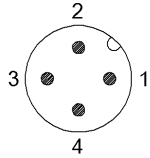
vacuum-tight  
Permissible burden on analog output  $R_{max} = 800$  Ohm

For further information on MTTF/B10d, please refer to the MTTF / B10d Certificate.

Specification of the MTTF value and the B10d value do not represent any binding quality and/or life expectancy guarantees.

BSP B005-FV004-A06A1A-S4  
BSP00HA

## Connector view



## Wiring Diagram

