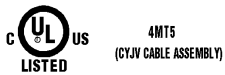
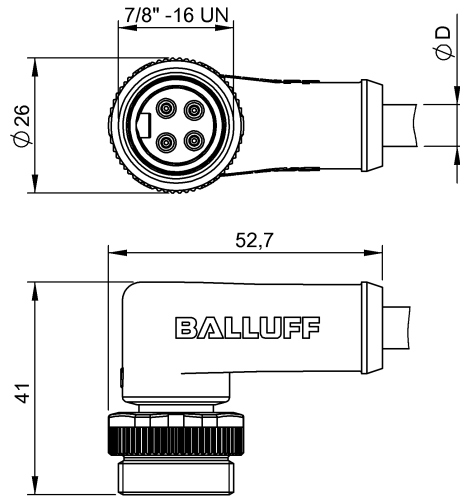


BCC A324-0000-20-003-VX44W6-050  
BCC091F



## Electrical connection

Cable	PVC yellow, 5.00 m
Cable diameter D	10.67 mm ±0.25 mm
Conductor cross-section	AWG 16
Number of conductors	4
Number of pins	4
System	Molded

## Electrical data

Rated current (40 °C)	9.0 A
-----------------------	-------

## Environmental conditions

Cable temperature, fixed routing	-40...105 °C
Protection type IEC 60529	IP68

## General data

Application	Operating voltage
-------------	-------------------

## Approval/Conformity

cULus LISTED

## Material

Material contact carrier	PUR
Material contacts	Brass
Material cover nut	Die-cast zinc
Material grip	PUR

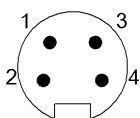
## Mechanical data

Tightening torque pigtail	1.5 Nm
---------------------------	--------

## Remarks

Enclosure rating per IEC 60529, only in screwed state with the associated mating piece.  
Bulk cable: PVC UL listed, 16/4 STOOW/MaleOOW CSA 105°C 600 V

## Connector view



PIN 1: brown PIN 2: white PIN 3: blue PIN 4: black

BCC A324-0000-20-003-VX44W6-050  
BCC091F

## Wiring Diagram

