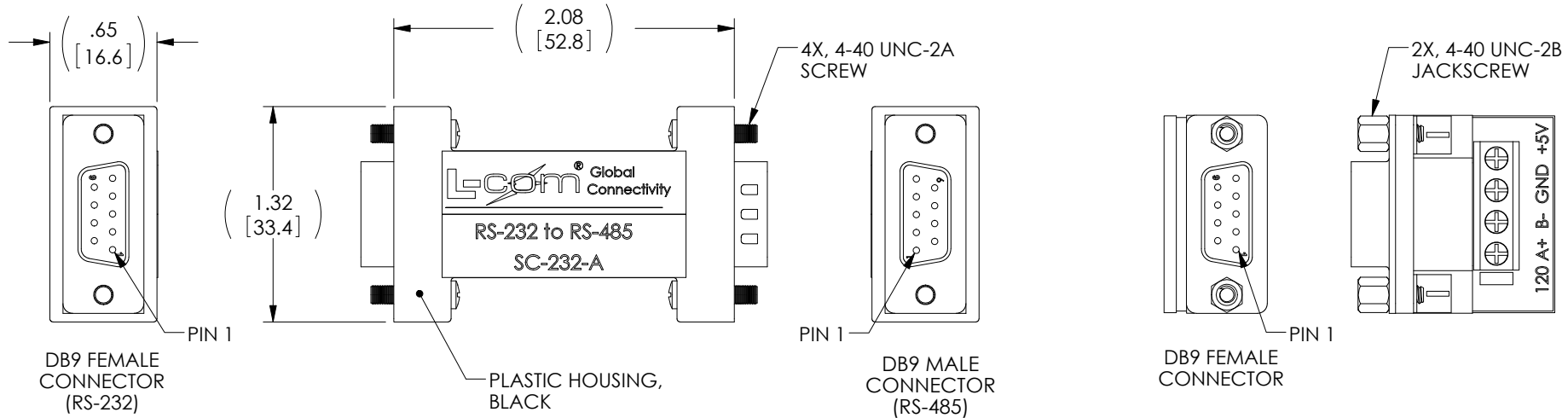


THE INFORMATION CONTAINED IN THIS DRAWING IS THE SOLE PROPERTY OF L-COM, INC. ANY REPRODUCTION IN PART OR WHOLE WITHOUT THE WRITTEN PERMISSION OF L-COM, INC. IS PROHIBITED.

RoHS Compliant ✓

REVISIONS			
REV	DESCRIPTION	DATE	APPROVED
A	INITIAL RELEASE	3/31/11	D. CASTRO
B	ECN 6806: CHANGED PACKAGING TO WHITE LOGO BOX WITH P/N LABEL	4/18/13	D. DESJARDIN



NOTES:

- 1. CONVERTER SHALL BE INDIVIDUALLY PACKAGED IN A WHITE LOGO BOX WITH L-COM PART NUMBER LABEL ON FRONT.

UNLESS OTHERWISE SPECIFIED, DIMENSIONS ARE IN INCHES [mm] OVERALL CABLE LENGTH TOLERANCE: ≤12 [305] = +1 [25] / -0 >12 [305] ≤60 [1524] = +2 [51] / -0 >60 [1524] ≤120 [3048] = +4 [102] / -0 >120 [3048] ≤300 [7620] = +6 [152] / -0 >300 [7620] = +3% / -0% ALL OTHER DIMENSIONAL TOLERANCES: .X = ±.2 .XX = ±.02 .XXX = ±.005	APPROVALS DRAWN BY D. CASTRO CHECKED BY D. PARHAM APPROVED BY P. MCNEIL	DATE 3/30/11 3/30/11 3/31/11	45 BEECHWOOD DRIVE NORTH ANDOVER, MA 01845
	CONFIGURATION DETAILS OF UNDIMENSIONED FEATURES MAY VARY		CATEGORY NETWORK EQUIPMENT
	COLOR VARIATIONS MAY OCCUR		PRODUCT DESCRIPTION RS232 TO RS485 CVTR PORT PWR
	PROJECTION 	SCALE: NONE	SIZE A FSCM NO. 43321 DWG. NO. SC-232-A