

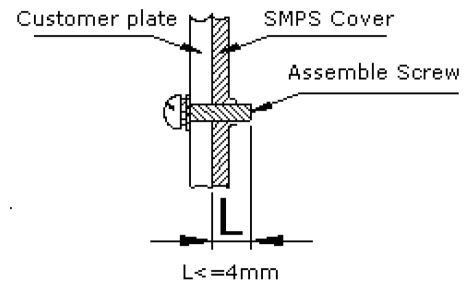
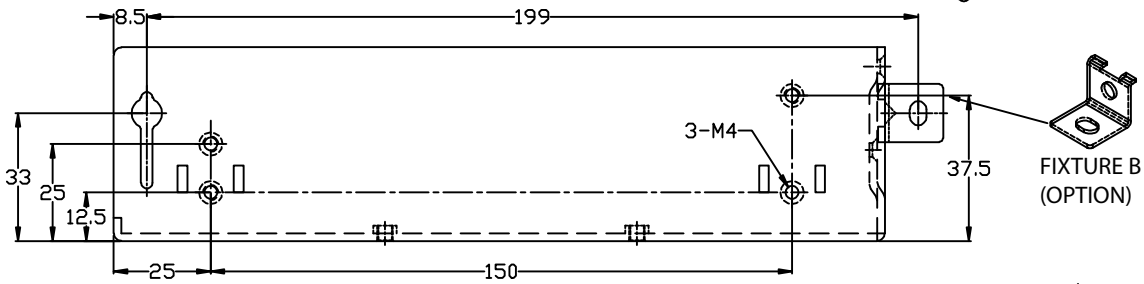
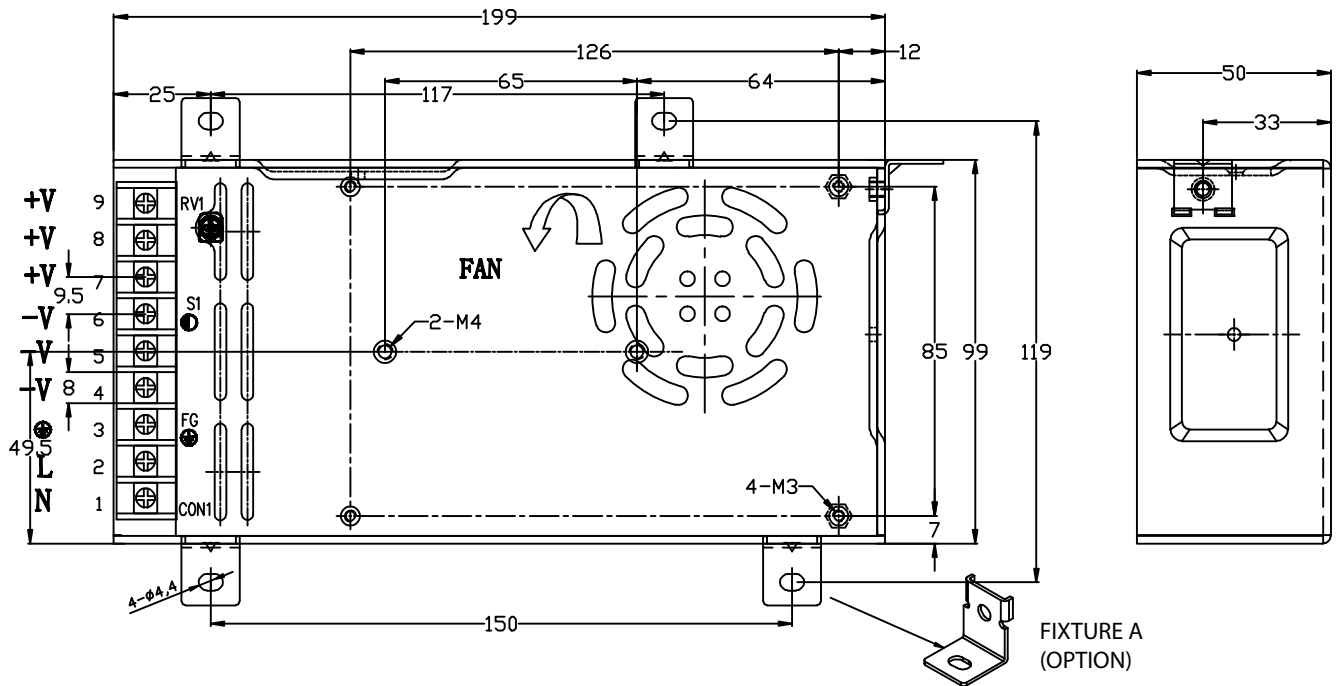
**Features:**

- Universal AC input/ Full range
- Built-in active PFC function, PF>0.95
- High Efficiency, and High Reliability
- Output Protections: OLP/OPP/SCP
- Withstand 300VAC Surge Input for 5 Sec
- Operating Altitude up to 5000m
- Wide operating ambient temperature (-25°C~70°C)
- Conformal Coating on both sides of PCB
- All using 105°C long life electrolytic capacitors.
- 100% full load burn-in test



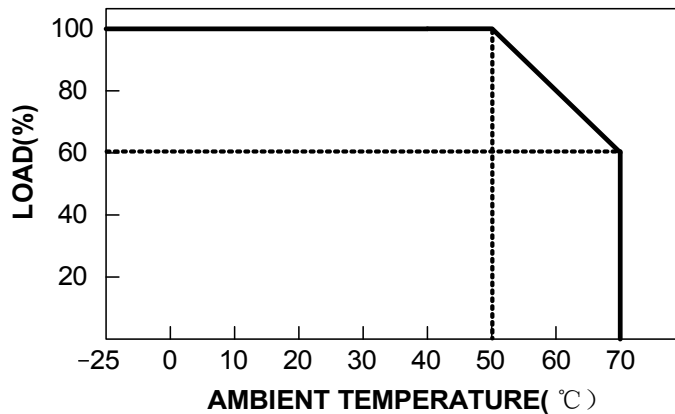
Model	QGKF-320-5	QGKF-320-12	QGKF-320-24	QGKF-320-48
<b>Output Characteristics</b>				
DC Output	5V	12V	24V	48V
Rated Current	55A	25A	13A	6.7A
Current Range (Note 1)	0~55A	0~25A	0~13A	0~6.7A
Ripple and Noise (Note 2)	<150mV	<150mV	<200mV	<200mV
Voltage ADJ. Range	-5% ~ +10% of rated output voltage			
Voltage Accuracy	±1.0%			
Line Regulation	±0.5%			
Load Regulation	±1.0%			
Set-up Time	<2.0s (230VAC input, full load)			
Hold-up Time	>10ms (230VAC input, full load)			
Temperature Coefficient	±0.03%/°C			
Overshoot and Undershoot	<5.0%			
<b>Input Characteristics</b>				
Voltage Range	85VAC~264VAC, 120VDC~370VDC			
Frequency Range	47Hz-63Hz			
Power Factor (Typical)	PF>0.98/115VAC PF>0.95/230VAC			
Efficiency (Typical)	79%	84.5%	87%	87.5%
AC Current (max)	<4.5A			
Inrush Current (Typical)	<30A@115VAC Cold start <50A@230VAC Cold start			
Leakage Current	Input-Output: <0.25mA Input-PG: <1.0mA			
<b>Protection</b>				
Over Load (OLP)	105%~150% of rated output current, hiccup mode, auto recovery			
Over Power (OPP)	105%~150% of rated output power, hiccup mode, auto recovery			
Short Circuit (SCP)	Long-term mode, auto recovery			
<b>Environmental Characteristics</b>				
Operating Amb. Temp. & Hum	-25°C~70°C; 20%~90% RH Non-Condensing			
Storage Temp. & Hum	-40°C~85°C; 10%~95% RH Non-Condensing			
Vibration	10 ~500Hz, 2G 10min/1cycle, period for 60min. Each along X, Y, Z axes			
Safety Standards	UL60950-1 2nd Ed; IEC 60950-1:2005(2nd Ed); EN60950-1: 2006			
Withstand Voltage	Primary-Secondary: 3.0KVAC;≤10mA. Primary-PG: 1.5KVAC;≤10mA. Secondary-PG: 0.5KVDC;≤10mA			
Isolation Resistance	≥100M ohms			
EMI Conduction & Radiation	Compliance to EN55022, EN55024 Class B			
Harmonic Current	Compliance to EN61000-3-2, -3			
EMS Immunity	Compliance to EN61000-4-2, 3, 4, 5, 6, 8, 11; EN55024, EN61000-6-2 heavy industry level			
<b>General Characteristics</b>				
MTBF (MIL-HDBK-217F)	More than 200,000Hrs (25°C, Full load)			
Dimension (LxWxH)	199x99x50mm			
Packing	12PCS/CTN. G.W: 9.8kgs			
Cooling Method	Cooling by forced air (built-in DC fan)			
Note	<ol style="list-style-type: none"> <li>1. All parameters NOT specially mentioned are measured at rated input, rated load, and 25°C of ambient temperature</li> <li>2. Measured at 20MHz of bandwidth by using a 12" Twisted pair wire terminated with a 0.1uF &amp; 47uF parallel capacitor</li> <li>3. The SPS is considered a component which will be installed into final equipment. The equipment must be re-confirmed that it still meets EMC directives.</li> </ol>			

## MECHANICAL SPECIFICATIONS



Pin No.	Assignment
1	AC-N
2	AC-L
3	F.G
4,5,6	DC output -V
7,8,9	DC output +V

## DERATING CURVE



UNIT: mm