

RER 101-36/14 NHH

DC centrifugal compact fan

single inlet



ebm-papst St. Georgen GmbH & Co. KG

Hermann-Papst-Str. 1
D-78112 St. Georgen
Phone +49 (0) 7724 81-0
Fax +49 (0) 7724 81-1309
info2@de.ebmpapst.com
www.ebmpapst.com

Nominal data

Type	RER 101-36/14 NHH	
Nominal voltage	VDC	24
Nominal voltage range	VDC	18 .. 27,2
Speed	min ⁻¹	6050
Power input	W	22.5
Min. ambient temperature	°C	-20
Max. ambient temperature	°C	70
Air flow	m ³ /h	190
Sound power level	B	7.2

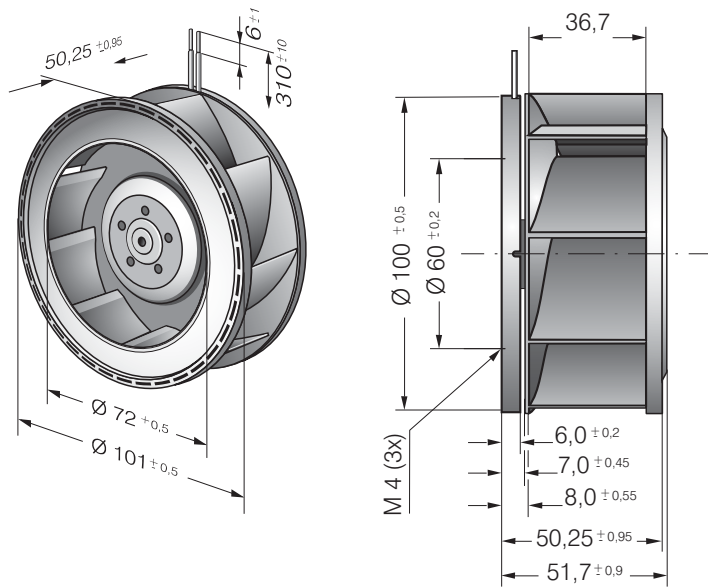
mi = Max. load · me = Max. efficiency · fa = Running at free air · cs = Customer specs · cu = Customer unit
Subject to alterations



Technical features

General description	Backward-curved impeller
Mass	0.305 kg
Dimensions	101 Ø x 52 mm
Material of impeller	Fiberglass-reinforced plastic
Housing material	Scroll housing of fiberglass-reinforced plastic.
Direction of air flow	Axial: intake, centrifugal: exhaust
Direction of rotation	Right, looking at rotor
Bearing	Ball bearings
Lifetime L10 at 40 °C	60000 h
Lifetime L10 at maximum temperature	30000 h
Connection line	With single strands AWG 22, TR 64
Motor protection	Protected against reverse polarity and locking.

Product drawing



Charts: Air flow

