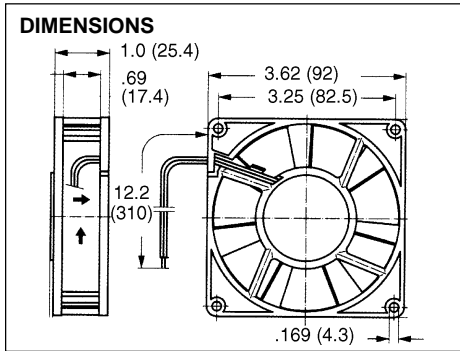
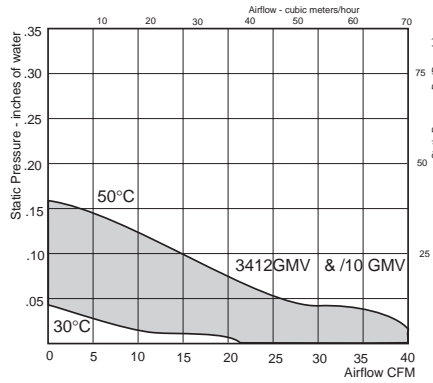
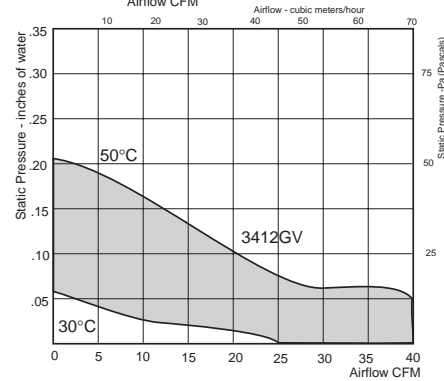


92 x 25mm (3.6" X 1.0") DC VARIOFAN

3400V Series



HIGH PERFORMANCE
SINTEC
 SLEEVE BEARING SYSTEM



3.62" X3.62" X 1.00" Brushless DC, Plastic, Air Exhaust – Over Struts

| PART NUMBER | Type of Bearing | DC Volts | Voltage Range | Temp. | | CFM | | Temp. Max °C | Wgt. (oz) | Features | Approvals* | | |
|-------------------|-----------------|----------|---------------|-------|-------|------|-----|--------------|-----------|--------------------|------------|-----|-----|
| | | | | °C | Watts | @ 0" | dBa | | | | UL | CSA | VDE |
| 3412GMV | Sleeve | 12 | 8 - 14 | 30 | 1.1 | 21 | 14 | 65 | 5 | 12.2" AWG 24 Leads | ✓ | ✓ | ✓ |
| | | | | 50 | 2.3 | 42 | 32 | | | | | | |
| 3412/10GMV | Sleeve | 12 | 8 - 14 | 30 | 1.1 | 21 | 14 | 65 | 5 | Leads, Alarm | ✓ | ✓ | ✓ |
| | | | | 50 | 2.3 | 42 | 32 | | | | | | |
| 3412GV | Sleeve | 12 | 8 - 13 | 30 | 1.1 | 25 | 16 | 65 | 5 | 12.2" AWG 24 Leads | ✓ | ✓ | ✓ |
| | | | | 50 | 2.5 | 49 | 36 | | | | | | |

* UL yellow card E38324, CSA file 27697, VDE file 3072

Temperature Sensor must be ordered separately: LZ 370

| | | | | |
|--|------------------|---|--------------------|---|
| CONSTRUCTION MOUNTING & CONNECTION | Mounting: | From either face using four .169" (4.3mm) holes | Connection: | Three lead wires color coded, red (+), blue (-), violet (temp sensor) |
| | Weight: | 5 ounces (150g) | Options: | Hall Effect monitor |
| | Housing: | Plastic with plastic impeller | | Alarm |