

Energy-saving axial fan

Ø 230



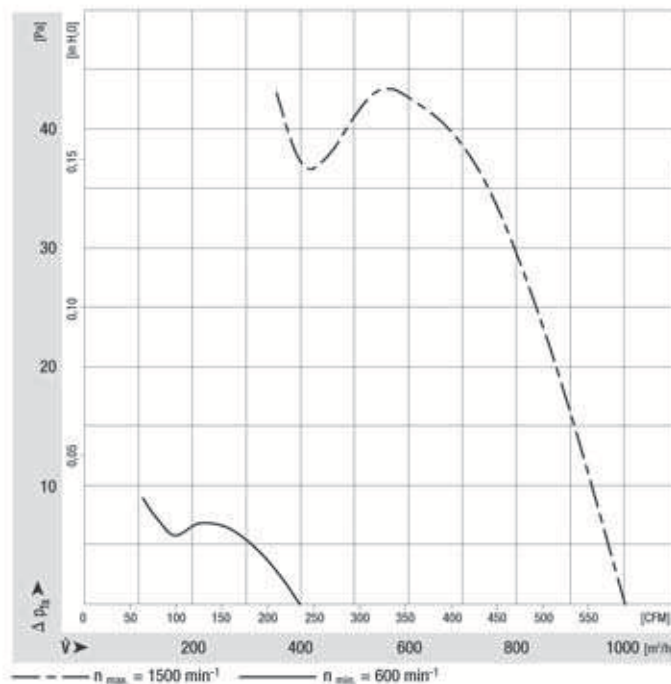
- **Material:** Wall ring: Plastic PP20TV
Blade: Plastic PA6GF
- **Number of blades:** 5
- **Direction of air flow:** "V", exhaust over struts
- **Direction of rotation:** Counter-clockwise seen on rotor
- **Type of protection:** IP 54
- **Insulation class:** "B"
- **Mounting position:** Any
- **Condensate discharges:** None
- **Mode of operation:** Continuous operation (S1)
- **Bearings:** Maintenance-free ball bearings
- **Motor protection:** Via electronics and TOP
- **Electrical connection:** Line cord with plug
- **Protection class:** II
- **Product conforming to standard:** CE
- **Approvals:** VDE;
UL, CSA is applied for
- **Speed:** Using the programming unit, 2 speeds between n_{min} and n_{max} can be programmed.

Nominal data

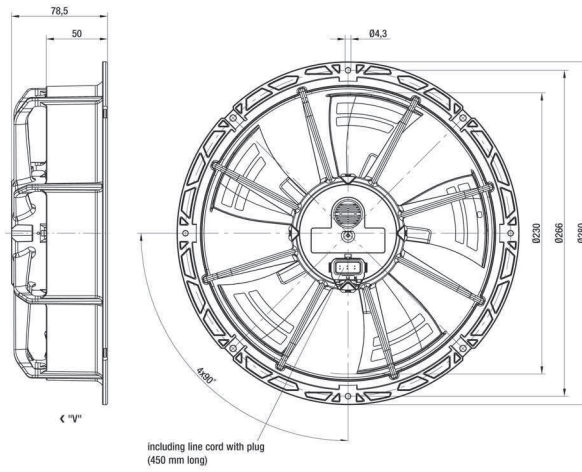
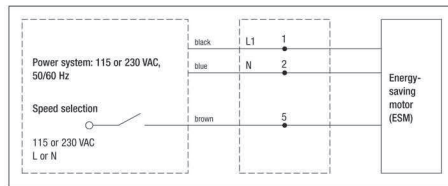
Type	Motor	Nominal voltage VAC	Frequency Hz	Air flow m ³ /h	Speed/rpm	Max. Power input W	Max. Current draw A	Sound pressure level dB(A)	Max. operative range Pa	Perm. amb. temp. °C	Mass kg
W1G230-EB91 -01	M1G055-BD	230	50/60	1000	1500	34	0,26	53	40	-30..+50	1,25

subject to alterations

Curve (programmable)



- Electr.
connection:



ebmpapst