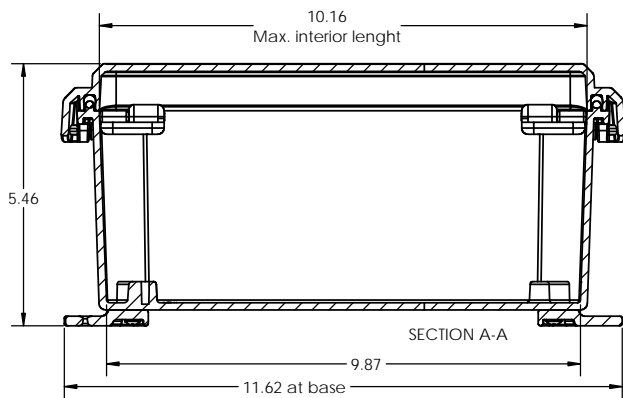
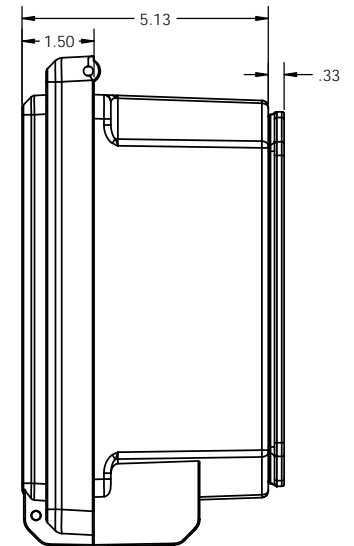
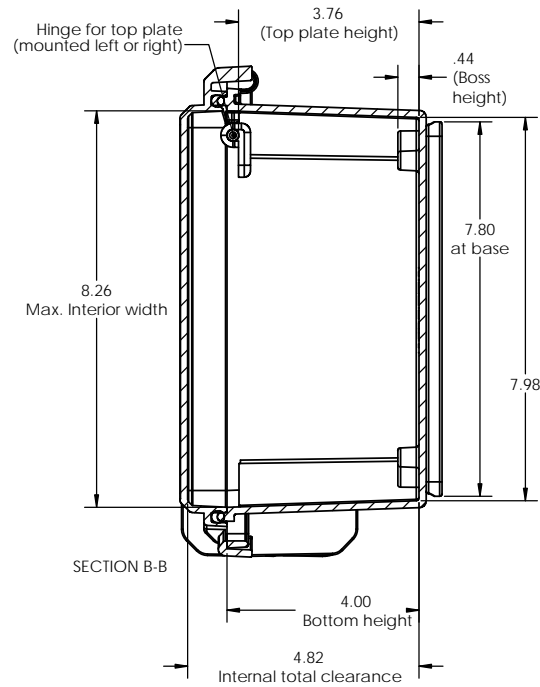
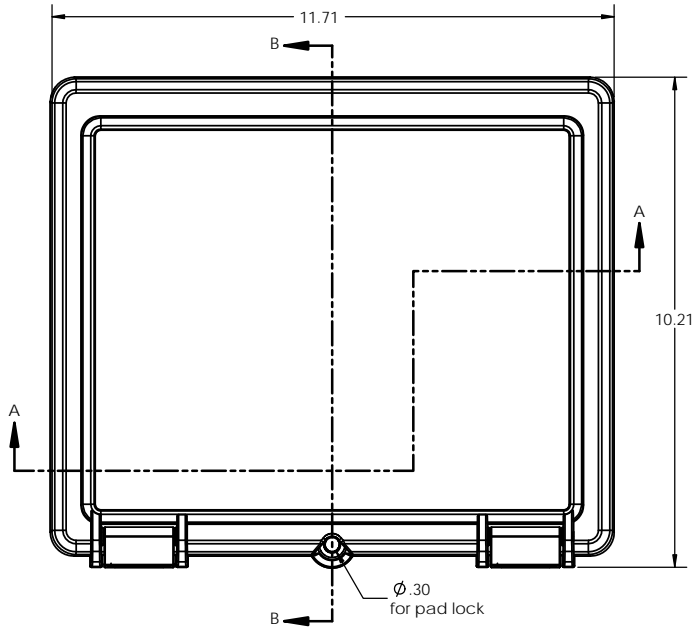


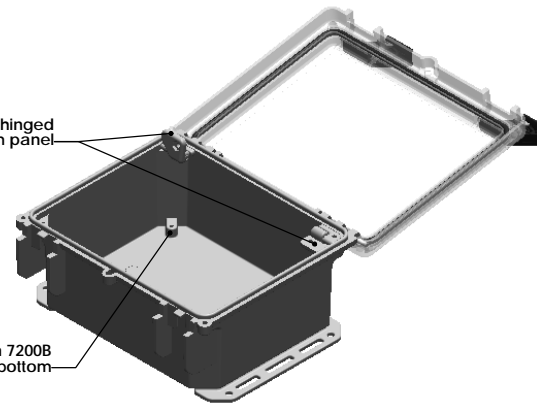
# SERPAC I342HL

Electronic Enclosures

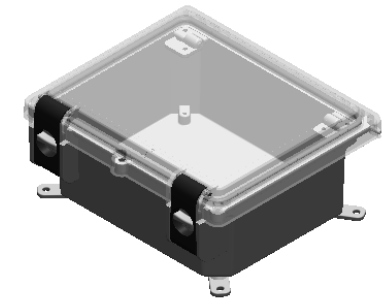


(2) Hinges for pn 7200TH hinged aluminum panel

(4) Bosses for pn 7200B aluminum panel for bottom



Open 342HL with bottom flanges (2 included) and 2 hinges for aluminum panel.



342HL with bottom rotating feet (4 included)

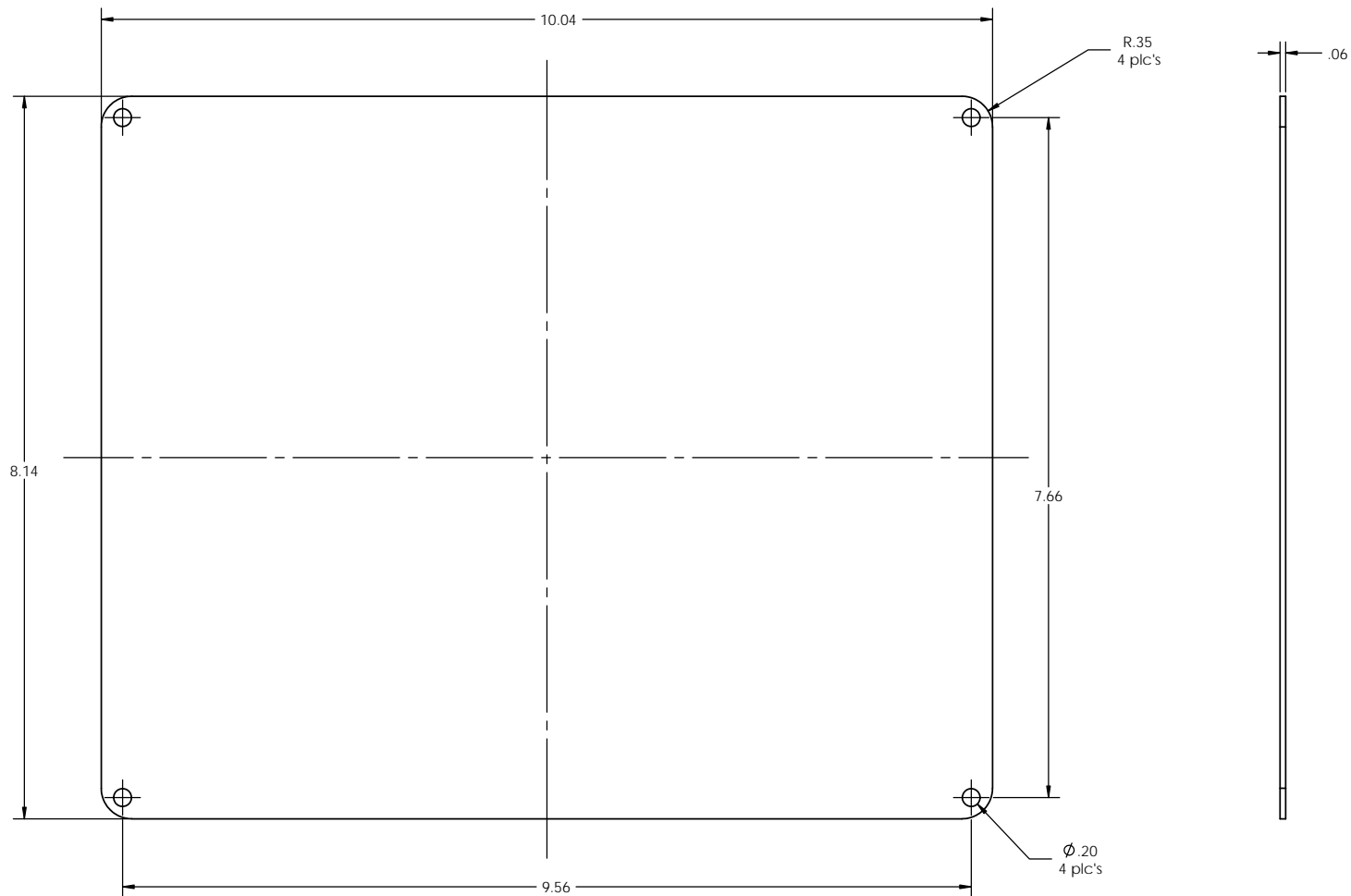
- Material: UV stabilized Polycarbonate
- Flammability UL 94 V-0
- Watertight enclosure meets or exceeds Nema 4 and or IP67.

PARTS INCLUDED		
P/N	Qty.	Description
352 HLT	1	352 HL Top
340 HLB	1	340 HL Bottom
8350	1	350 Perimeter O-ring
1304	2	Hinge pin
7011	2	710 / 720 / 920 Safty Latch
7036	2	Latch pin
1305	2	350 Flange
1306	4	350 Feet
1307	2	350 Panel hinge pin
1308	1	350 Panel hinge A
1309	1	350 Panel hinge B
6028	4	SS #10 X 5/8" Pan H/L

ALL DIMENSIONS ARE ± .010"

5/24/13

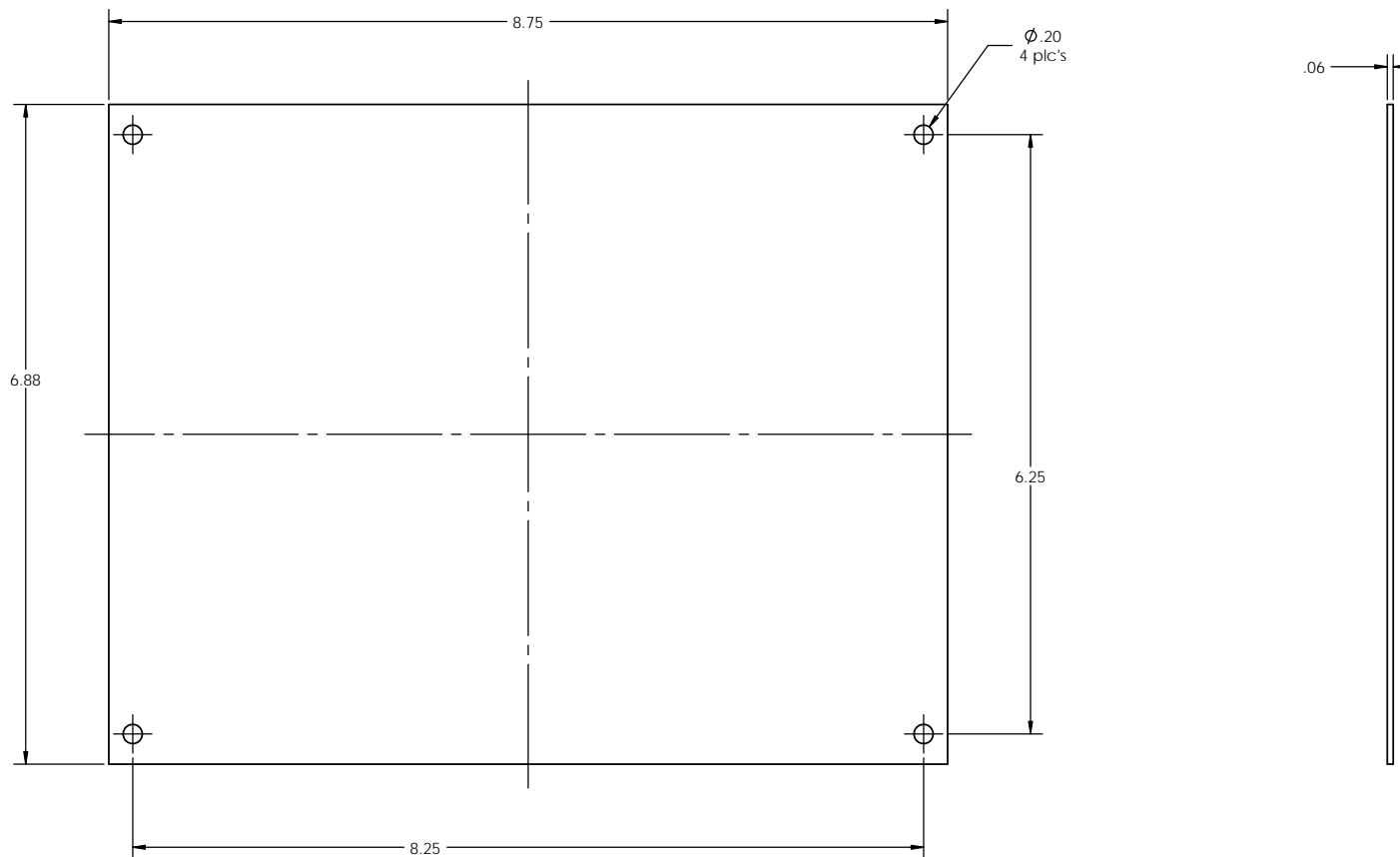
2009 Wright Ave. La Verne, CA 91750  
Ph. (626) 331-0517 Fx. (626) 331-8584 serpac.com



PARTS INCLUDED		
P/N	Qty.	Description
72040	1	Hinged top aluminum panel
6029	4	SS #10 X 3/8" Pan HL Screw

ALL DIMENSIONS ARE  $\pm .010"$

4/3/13



PARTS INCLUDED		
P/N	Qty.	Description
72000	1	Bottom aluminum panel
6029	4	SS #10 X 3/8" Pan HL Screw

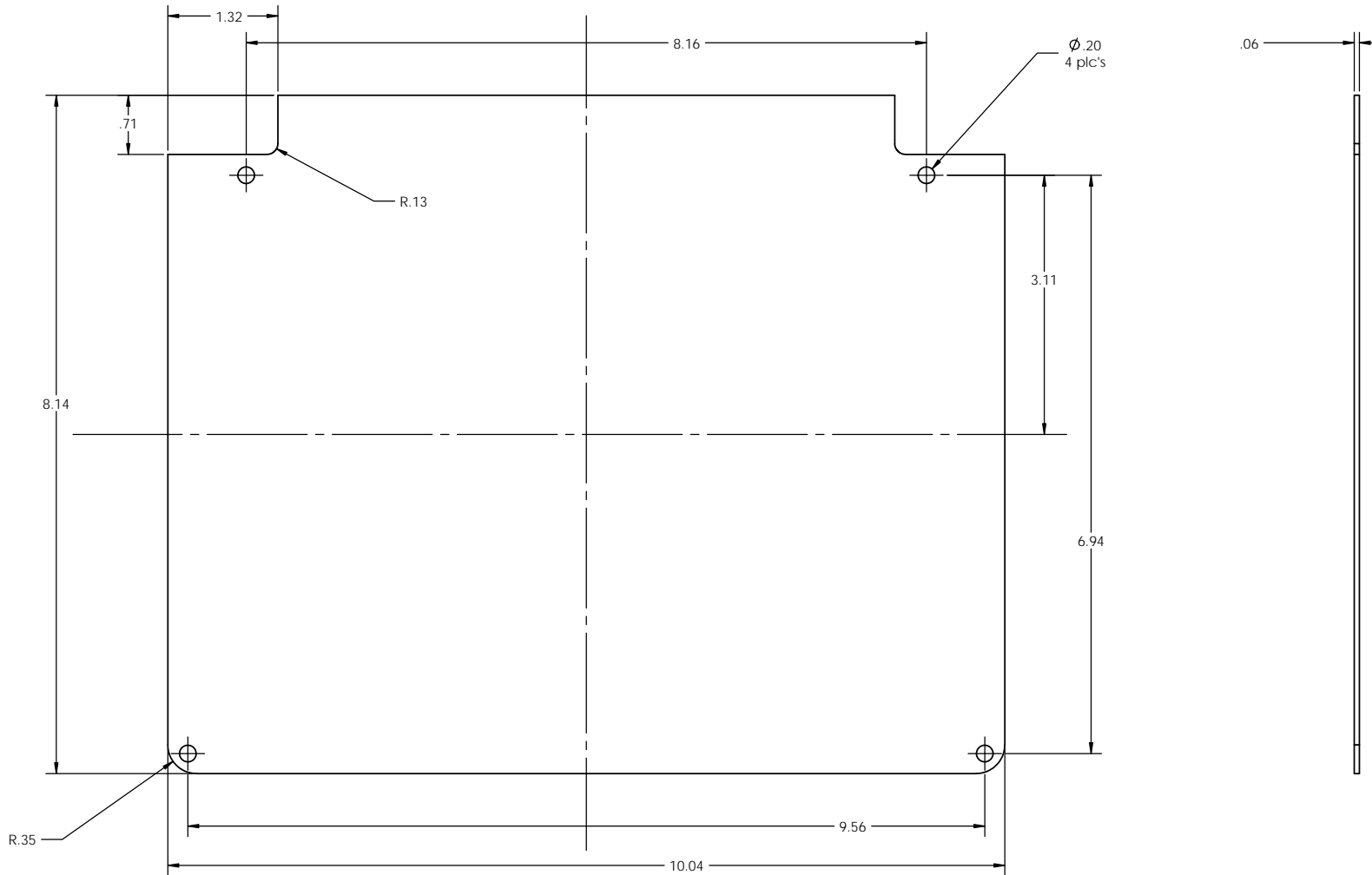
ALL DIMENSIONS ARE  $\pm .010"$

4/3/13

2009 Wright Ave. La Verne, CA 91750  
Ph. (626) 331-0517 Fx. (626) 331-8584 serpac.com

# 7200TH Panel Kit

Hinged top panel for 352HL, 342HL 352HS and 342HS



PARTS INCLUDED		
P/N	Qty.	Description
72020	1	Hinged top aluminum panel
6029	2	SS #10 X 3/8" Pan HL Screw
6030	2	SS #10 X 3/8" Pan Combo H/L Screw
6105	2	SS #10-32 X1/8" Nut

ALL DIMENSIONS ARE  $\pm .010"$

4/3/13