

## PRODUCT FINDER

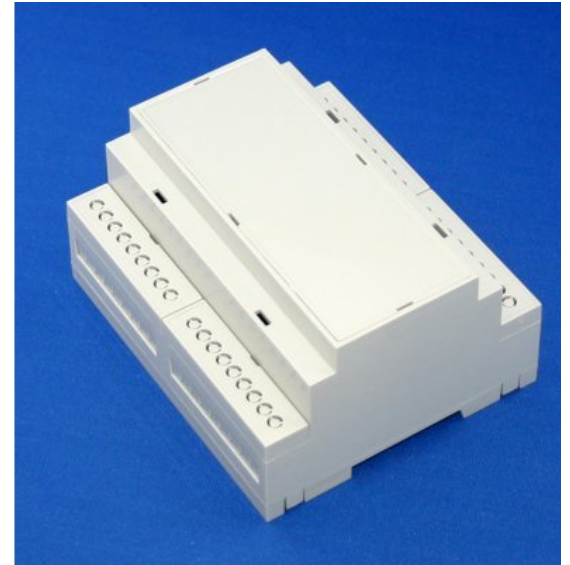
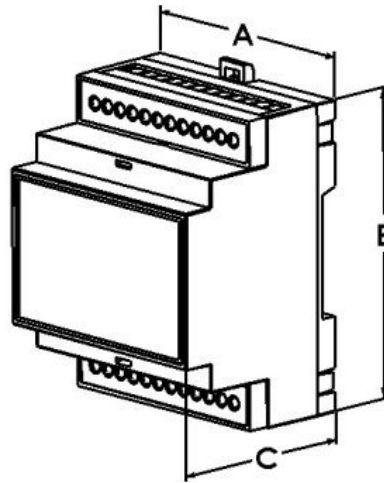
[Large Cabinet Racks](#)[Communications  
Cabinets/Racks](#)[Cabinets](#)[Open Racks](#)[Server Racks](#)[Aluminum Enclosures and  
Chassis](#)[Small Metal Enclosures](#)[Die Cast Boxes](#)[Plastic Enclosures](#)[NEMA Boxes  
\(Water-tight Plastic  
and Fiberglass\)](#)[NEMA Boxes  
\(Water-tight Sheet Metal\)](#)[NEMA Boxes  
\(Water-tight Aluminum\)](#)[Accessories](#)[Brackets](#)[Custom Enclosures](#)

Follow BUD On:



## Plastic Boxes

### DIN Rail Mount Multi-Board Box

[Click on Image for Larger View](#)

Plastic PC mount terminal boxes with DIN rail mounting and snap-in multiple board capacity with easy access to board terminals.

PCB (DMB-477x-CB) and Terminal connectors (DMB-4770-T3) available for rear board location (A) please refer to the properties table for PCI selection.


[CLICK HERE TO VIEW ASSEMBLY ANIMATION](#)

[CLICK HERE TO VIEW ASSEMBLY VIDEO](#)

### Design Features

- Durable UL94V-0 rated ABS/PC blend plastic housing
- Suggested service temperature -20C to +70
- Three levels of PC board mounting locations - PC boards not supplied
- Bottom level accepts PC board with modular type terminals on 0.2" centers
- Removable terminal guards have snap-off tabs to match number of terminals used
- Snap-fit design allows tool-less assembly of all parts including PC boards
- Snap-fit front cover is easily removable for machining or silk-screening
- Optional clear and infra red polycarbonate covers available
- Fits standard 35mm DIN rail
- Finish: Light Gray

DIN RAIL MOUNT MULTI-BOARD BOX

Catalog Number	Drawings	Number of PCB Terminals*	External Dimensions (Inches)			Weight Ozs.	Optional Clear Front Cover	Optional Infra Red Front Cover	Replacement Terminal Guards (Pair)	PCB(Location "A" only)
			A	B	C					
DMB-4769		6 (3/3)	0.67	3.55	2.25	1.0	DMB-4769-CC	DMB-4769-IRC	DMB-4769-TG	<a href="#">DMB-4769-CB</a>
DMB-4770		12 (6/6)	1.43	3.55	2.25	1.5	DMB-4770-CC	DMB-4770-IRC	DMB-4760-TG	<a href="#">DMB-4770-CB</a>
DMB-4771		18 (9/9)	2.10	3.55	2.25	1.9	DMB-4771-CC	DMB-4771-IRC	DMB-4761-TG	<a href="#">DMB-4771-CB</a>
DMB-4772		24 (12/12)	2.80	3.55	2.26	2.3	DMB-4772-CC	DMB-4772-IRC	DMB-4762-TG	<a href="#">DMB-4772-CB</a>
DMB-4773		36 (9x2)/(9x2)	4.18	3.55	2.26	3.3	DMB-4773-CC	DMB-4773-IRC	DMB-4761-TG	<a href="#">DMB-4773-CB</a>
DMB-4774		54 (9x3)/(9x3)	6.28	3.55	2.26	4.6	DMB-4774-CC	DMB-4774-IRC	DMB-4761-TG	<a href="#">DMB-4774-CB</a>
Replacement Mounting Clip: DMB-4764-MC										
* PCB and PCB terminals not supplied.										

 Autocad DXF Specifications File

 Adobe PDF Specifications File

(Right Click and save link to your computer. Requires CAD software such as AutoCAD)

 [Download PDF Viewer](#)

For the majority of our enclosures we offer 3D STEP files upon request

