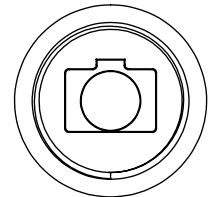
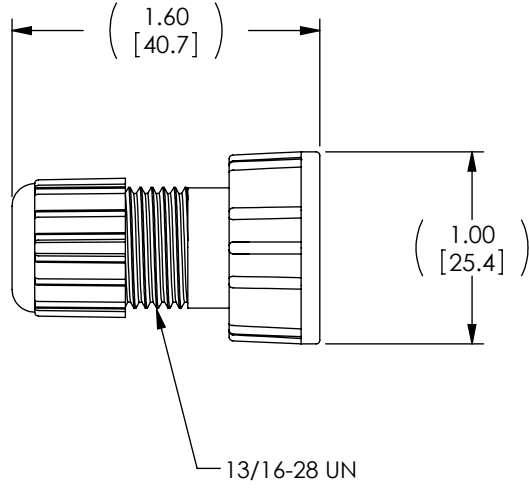


THE INFORMATION CONTAINED IN THIS DRAWING IS THE SOLE PROPERTY OF L-COM, INC. ANY REPRODUCTION IN PART OR WHOLE WITHOUT THE WRITTEN PERMISSION OF L-COM, INC. IS PROHIBITED.

REVISIONS			
REV	DESCRIPTION	DATE	APPROVED
A	INITIAL RELEASE	3/30/10	D.GRIFFIN



NOTES:

- MATERIAL:**
SCREW NUT: NYLON, GLASS FILLED, BLACK
GASKET: EPDM, BLACK
HOUSING: NYLON, BLACK.
SEALING NUT: NYLON, BLACK.
- MISCELLANEOUS:**
INGRESS PROTECTION RATING: IP67.
COMPONENT SHALL BE INDIVIDUALLY PACKAGED IN ACCORDANCE WITH L-COM SPEC. PS-0031

UNLESS OTHERWISE SPECIFIED, DIMENSIONS ARE IN INCHES [mm] OVERALL CABLE LENGTH TOLERANCE: ≤12 [305] = +1 [25] / -0 >12 [305] ≤60 [1524] = +2 [51] / -0 >60 [1524] ≤120 [3048] = +4 [102] / -0 >120 [3048] ≤300 [7620] = +6 [152] / -0 >300 [7620] = +3% / -0%	APPROVALS	DATE		45 BEECHWOOD DRIVE NORTH ANDOVER, MA 01845		
	DRAWN BY D. CASTRO	3/26/10				
ALL OTHER DIMENSIONAL TOLERANCES: .X = ±.2 .XX = ±.02 .XXX = ±.005	CHECKED BY D. PARHAM	3/29/10	CATEGORY MODULAR			
	APPROVED BY P. MCNEIL	3/29/10	PRODUCT DESCRIPTION RJ45 IP67 SHORT STRAIN RELIEF			
PROJECTION 	CONFIGURATION DETAILS OF UNDIMENSIONED FEATURES MAY VARY	COLOR VARIATIONS MAY OCCUR	SIZE A	FSCM NO. 43321	DWG. NO. WPRJ-SSR	REV. A
SCALE: NONE			CAD FILE: WPRJ-SSR.SLDDRW		SHEET 1 OF 1	