



SEPARATE ACTUATOR,  
 UNIVERSAL RADIUS ACTUATOR 'HEAVY DUTY'  
 VERSION VERTICAL AND HORIZONTAL ADJUSTABLE  
 L=77MM FOR POSIT. SWITCH WITH TUMBLER  
 3SE5312../3SE5322.. AND ASI 3SF13... AND POSIT.  
 SWITCH WITH SEPARATE ACTUATOR 3SE51../3SE52..  
 AND ASI 3SF11../3SF12..

General technical data:		
<b>Product designation</b>		actuator
<b>Mechanical operating cycles as operating time</b>		
• typical		1,000,000
<b>Resistance against vibration</b>		0.35 mm / 5g
<b>Resistance against shock</b>		30g / 11 ms
<b>Ambient temperature</b>		
• during operating	°C	-25 ... +85
• during storage	°C	-40 ... +90
<b>Design of the operating mechanism</b>		universal actuator
<b>mounting position</b>		any
<b>Reference code</b>		
• according to DIN 40719 extended according to IEC 204-2 / according to IEC 750		E
• according to DIN EN 61346-2		T

**Certificates/ approvals:**

General Product Approval

Functional Safety /  
Safety of  
Machinery

Declaration of  
Conformity

Test Certificates



[Special Test Certificate](#)

other

[Confirmation](#)

#### Further information:

**Information- and Downloadcenter (Catalogs, Brochures,...)**

<http://www.siemens.com/industrial-controls/catalogs>

**Industry Mall (Online ordering system)**

<http://www.siemens.com/industrial-controls/mall>

**Cax online generator**

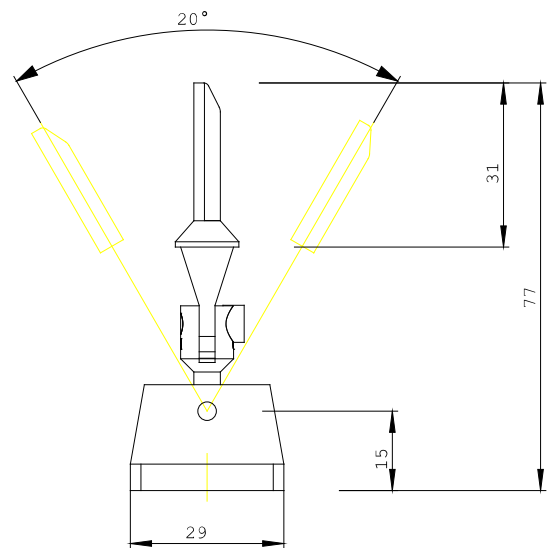
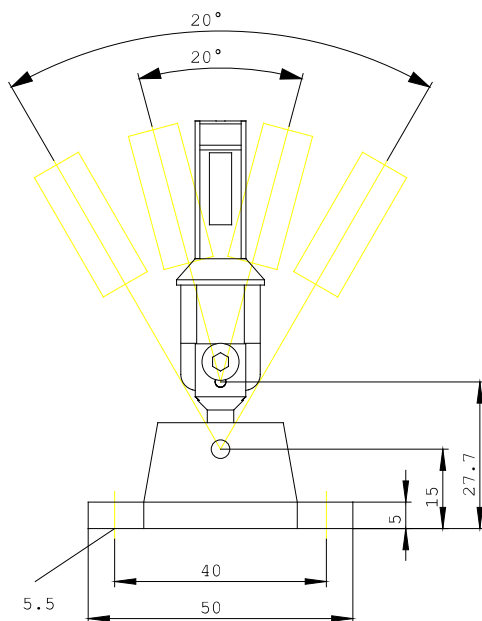
<http://www.siemens.com/cax>

**Service&Support (Manuals, Certificates, Characteristics, FAQs,...)**

<http://support.automation.siemens.com/WWW/view/en/3SE5000-0AV07/all>

**Image database (product images, 2D dimension drawings, 3D models, device circuit diagrams, ...)**

[http://www.automation.siemens.com/bilddb/cax\\_en.aspx?mlfb=3SE5000-0AV07](http://www.automation.siemens.com/bilddb/cax_en.aspx?mlfb=3SE5000-0AV07)



last change:

Apr 20, 2014