



SIRIUS POSITION SWITCH METAL ENCLOSURE 56MM WIDE DEVICE CONNECTION 3X (M20X1.5) 1NO/1NC SNAP-ACTION CONTACTS ROTARY ACTUATOR RIGHT/LEFT ADJUSTABLE, ROD LEVER ALUMINUM 200MM LONG

| | |
|---|--|
| <p>Manufacturer article number</p> <ul style="list-style-type: none"> • of the basic unit included in the scope of supply • of the actuator head for position switches included in the scope of supply • of the operating lever included in the scope of supply | <p>3SE5122-0CA00</p> <p>3SE5000-0AH00</p> <p>3SE5000-0AA80</p> |
|---|--|

General technical data:

| | | |
|--|---|--------------------------|
| Product designation | | standard position switch |
| Explosion protection category for dust | | none |
| Insulation voltage | | |
| <ul style="list-style-type: none"> • rated value | V | 400 |
| Degree of pollution | | class 3 |
| Thermal current | A | 6 |
| Operating current | | |
| <ul style="list-style-type: none"> • at AC-15 <ul style="list-style-type: none"> • at 24 V / rated value • at 125 V / rated value • at 230 V / rated value • at 400 V / rated value • at DC-13 <ul style="list-style-type: none"> • at 24 V / rated value • at 125 V / rated value | A | 6 |
| | A | 6 |
| | A | 6 |
| | A | 4 |
| | A | 3 |
| | A | 0.55 |

| | | |
|--|------------|--------------------------------------|
| <ul style="list-style-type: none"> • at 230 V / rated value • at 400 V / rated value | A | 0.27 |
| | A | 0.1 |
| Continuous current | | |
| <ul style="list-style-type: none"> • of the slow DIAZED fuse link • of the quick DIAZED fuse link • of the C characteristic circuit breaker | A | 6 |
| | A | 10 |
| | A | 1 |
| Mechanical operating cycles as operating time | | |
| <ul style="list-style-type: none"> • typical | | 15,000,000 |
| Electrical operating cycles as operating time | | |
| <ul style="list-style-type: none"> • with contactor 3RH11, 3RT1016, 3RT1017, 3RT1024, 3RT1025, 3RT1026 / typical • at AC-15 / at 230 V / typical | | 10,000,000 |
| | | 100,000 |
| Electrical operating cycles in one hour | | |
| <ul style="list-style-type: none"> • with contactor 3RH11, 3RT1016, 3RT1017, 3RT1024, 3RT1025, 3RT1026 | | 6,000 |
| Repeat accuracy | mm | 0.05 |
| Design of the contact element | | snap-action contacts |
| Number of NC contacts | | |
| <ul style="list-style-type: none"> • for auxiliary contacts | | 1 |
| Number of NO contacts | | |
| <ul style="list-style-type: none"> • for auxiliary contacts | | 1 |
| Resistance against vibration | | 0.35 mm / 5g |
| Resistance against shock | | 30g / 11 ms |
| Ambient temperature | | |
| <ul style="list-style-type: none"> • during operating • during storage | °C | -25 ... +85 |
| | °C | -40 ... +90 |
| Width of the sensor | mm | 56 |
| Material | | |
| <ul style="list-style-type: none"> • of the enclosure | | metal |
| Material / of the enclosure / of the switch head | | metal |
| Design of the operating mechanism | | rod actuator, aluminium, 200 mm long |
| Actuating speed | mm/s / m/s | 0.1 ... 1.5 |
| Minimum actuating force / in activation direction | N·m | 0.25 |
| Protection class IP | | IP65/IP67 |
| mounting position | | any |
| Cable gland version | | 3 x (M20 x 1.5) |
| Design of the electrical connection | | screw-type terminals |
| Reference code | | |
| <ul style="list-style-type: none"> • according to DIN 40719 extended according to IEC 204-2 • according to DIN EN 61346-2 | | S |
| | | B |

Certificates/ approvals:

| General Product Approval | Declaration of Conformity | Test Certificates | other | | |
|--|---|---|---|--|------------------------------|
|  CSA |  |  UL |  EG-Konf. | Special Test Certificate | Confirmation |

Further information:

Information- and Downloadcenter (Catalogs, Brochures,...)

<http://www.siemens.com/industrial-controls/catalogs>

Industry Mall (Online ordering system)

<http://www.siemens.com/industrial-controls/mall>

Cax online generator

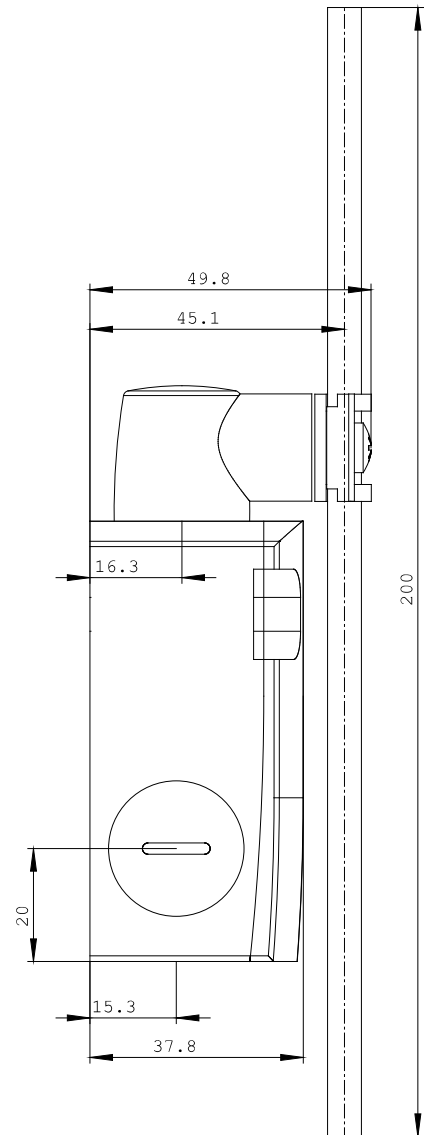
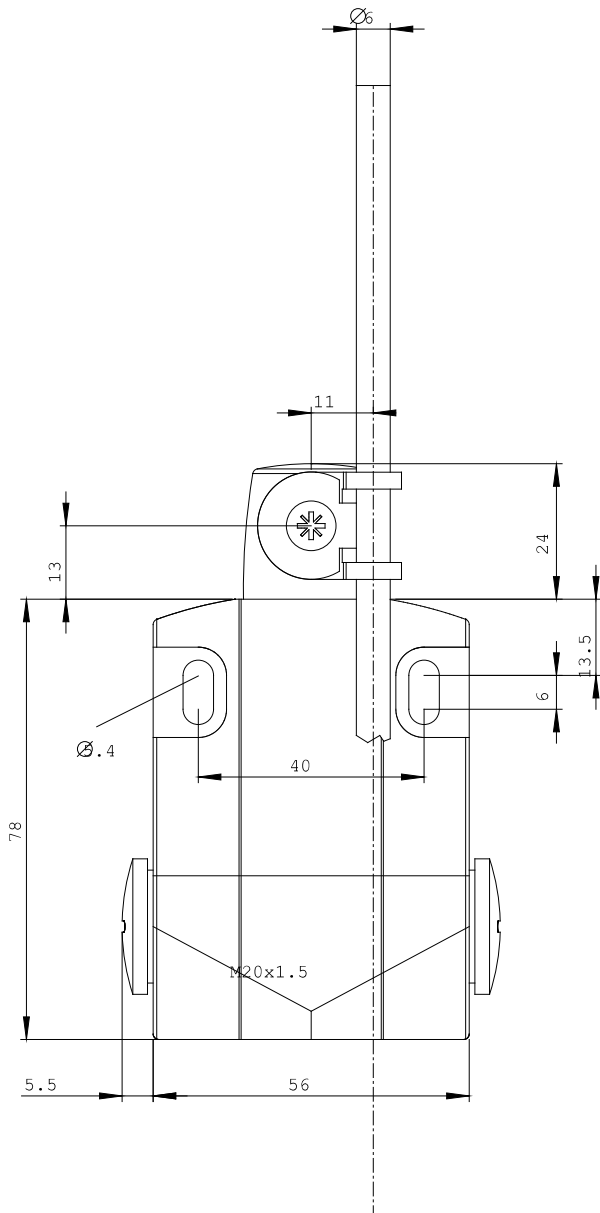
<http://www.siemens.com/cax>

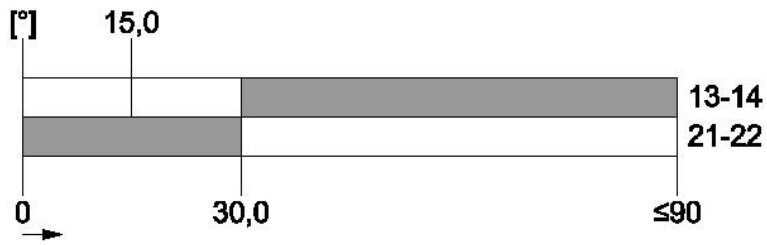
Service&Support (Manuals, Certificates, Characteristics, FAQs,...)

<http://support.automation.siemens.com/WW/view/en/3SE5122-0CH80/all>

Image database (product images, 2D dimension drawings, 3D models, device circuit diagrams, ...)

http://www.automation.siemens.com/bilddb/cax_en.aspx?mlfb=3SE5122-0CH80





last change:

Apr 21, 2014