

SIRIUS POSITION SWITCH METAL ENCLOSURE 40MM  
 ACC. TO EN50041 DEVICE CONNECTION 1X (M20X1.5)  
 1NO/1NC SNAP-ACTION CONTACTS ROTARY  
 ACTUATOR RIGHT/LEFT ADJUSTABLE,  
 ROD LEVER ALUMINUM 200MM LONG

<b>Manufacturer article number</b> <ul style="list-style-type: none"> <li>• of the basic unit included in the scope of supply</li> <li>• of the actuator head for position switches included in the scope of supply</li> <li>• of the operating lever included in the scope of supply</li> </ul>	<p><a href="#">3SE5112-0CA00</a></p> <p><a href="#">3SE5000-0AH00</a></p> <p><a href="#">3SE5000-0AA80</a></p>
--	--

**General technical data:**

<b>Product designation</b>		standard position switch
<b>Explosion protection category for dust</b>		none
<b>Insulation voltage</b>		
<ul style="list-style-type: none"> <li>• rated value</li> </ul>	V	400
<b>Degree of pollution</b>		class 3
<b>Thermal current</b>	A	6
<b>Operating current</b>		
<ul style="list-style-type: none"> <li>• at AC-15                             <ul style="list-style-type: none"> <li>• at 24 V / rated value</li> <li>• at 125 V / rated value</li> <li>• at 230 V / rated value</li> <li>• at 400 V / rated value</li> </ul> </li> <li>• at DC-13                             <ul style="list-style-type: none"> <li>• at 24 V / rated value</li> <li>• at 125 V / rated value</li> </ul> </li> </ul>	A	6
	A	6
	A	6
	A	4
	A	3
	A	0.55

<ul style="list-style-type: none"> <li>• at 230 V / rated value</li> <li>• at 400 V / rated value</li> </ul>	A	0.27
	A	0.1
<b>Continuous current</b>		
<ul style="list-style-type: none"> <li>• of the slow DIAZED fuse link</li> <li>• of the quick DIAZED fuse link</li> <li>• of the C characteristic circuit breaker</li> </ul>	A	6
	A	10
	A	1
<b>Mechanical operating cycles as operating time</b>		
<ul style="list-style-type: none"> <li>• typical</li> </ul>		15,000,000
<b>Electrical operating cycles as operating time</b>		
<ul style="list-style-type: none"> <li>• with contactor 3RH11, 3RT1016, 3RT1017, 3RT1024, 3RT1025, 3RT1026 / typical</li> <li>• at AC-15 / at 230 V / typical</li> </ul>		10,000,000
		100,000
<b>Electrical operating cycles in one hour</b>		
<ul style="list-style-type: none"> <li>• with contactor 3RH11, 3RT1016, 3RT1017, 3RT1024, 3RT1025, 3RT1026</li> </ul>		6,000
<b>Repeat accuracy</b>	mm	0.05
<b>Design of the contact element</b>		snap-action contacts
<b>Number of NC contacts</b>		
<ul style="list-style-type: none"> <li>• for auxiliary contacts</li> </ul>		1
<b>Number of NO contacts</b>		
<ul style="list-style-type: none"> <li>• for auxiliary contacts</li> </ul>		1
<b>Resistance against vibration</b>		0.35 mm / 5g
<b>Resistance against shock</b>		30g / 11 ms
<b>Ambient temperature</b>		
<ul style="list-style-type: none"> <li>• during operating</li> <li>• during storage</li> </ul>	°C	-25 ... +85
	°C	-40 ... +90
<b>Product specification</b>		
<ul style="list-style-type: none"> <li>• for dimensions</li> </ul>		EN 50041
<b>Width of the sensor</b>	mm	40
<b>Material</b>		
<ul style="list-style-type: none"> <li>• of the enclosure</li> </ul>		metal
<b>Material / of the enclosure / of the switch head</b>		metal
<b>Design of the operating mechanism</b>		rod actuator, aluminium, 200 mm long
<b>Actuating speed</b>	mm/s / m/s	0.1 ... 1.5
<b>Minimum actuating force / in activation direction</b>	N-m	0.25
<b>Protection class IP</b>		IP65/IP67
<b>mounting position</b>		any
<b>Cable gland version</b>		1x (M20 x 1.5)
<b>Design of the electrical connection</b>		screw-type terminals
<b>Reference code</b>		

- according to DIN 40719 extended according to IEC 204-2
- according to DIN EN 61346-2

	S
	B

#### Certificates/ approvals:

General Product Approval		Declaration of Conformity	Test Certificates	other
				<a href="#">Special Test Certificate</a> <a href="#">Confirmation</a>
CSA		UL	EG-Konf.	

#### Further information:

##### Information- and Downloadcenter (Catalogs, Brochures,...)

<http://www.siemens.com/industrial-controls/catalogs>

##### Industry Mall (Online ordering system)

<http://www.siemens.com/industrial-controls/mall>

##### Cax online generator

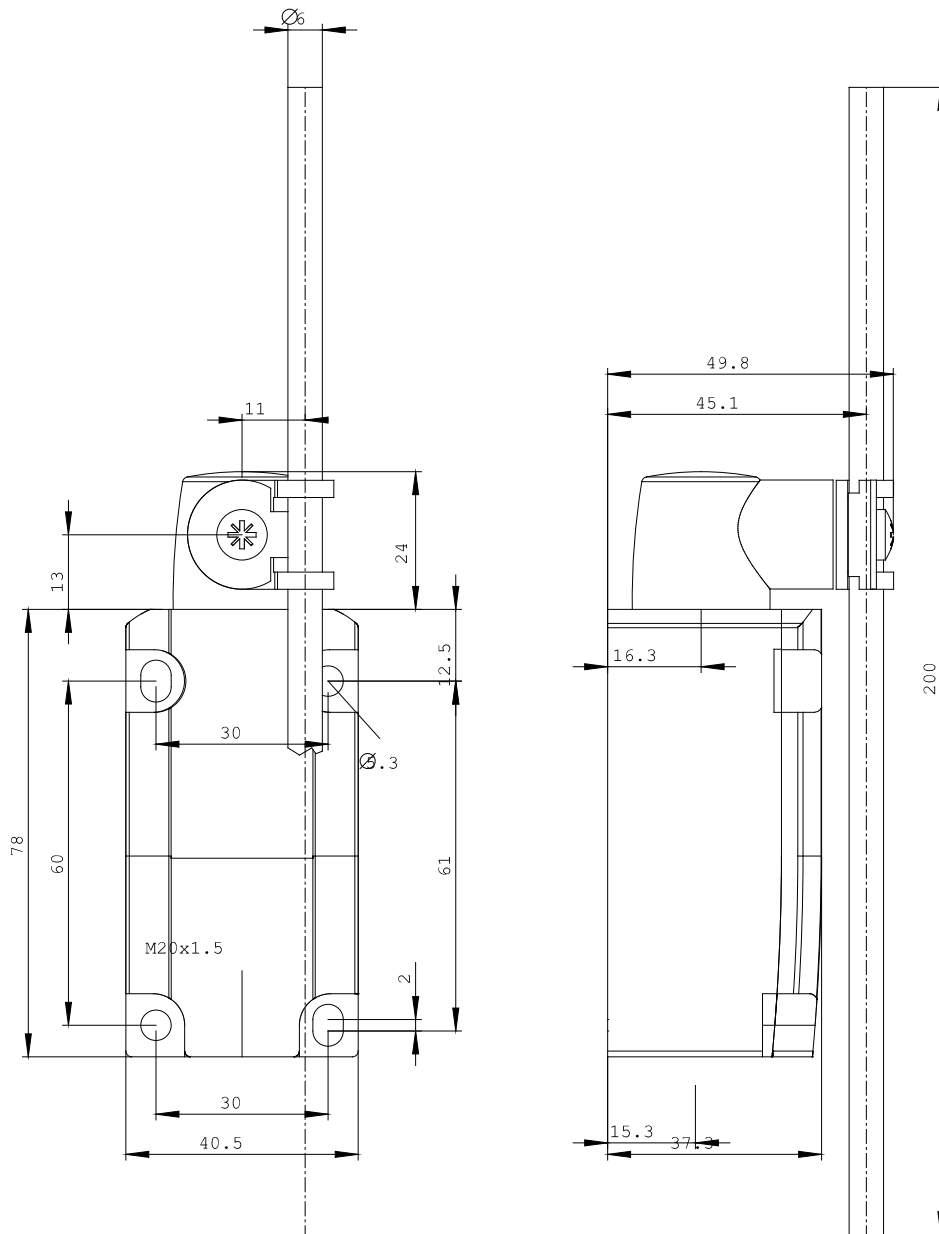
<http://www.siemens.com/cax>

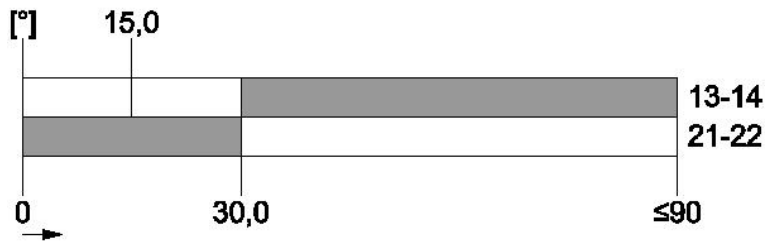
##### Service&Support (Manuals, Certificates, Characteristics, FAQs,...)

<http://support.automation.siemens.com/WW/view/en/3SE5112-0CH80/all>

##### Image database (product images, 2D dimension drawings, 3D models, device circuit diagrams, ...)

[http://www.automation.siemens.com/bilddb/cax\\_en.aspx?mlfb=3SE5112-0CH80](http://www.automation.siemens.com/bilddb/cax_en.aspx?mlfb=3SE5112-0CH80)





last change:

Apr 21, 2014