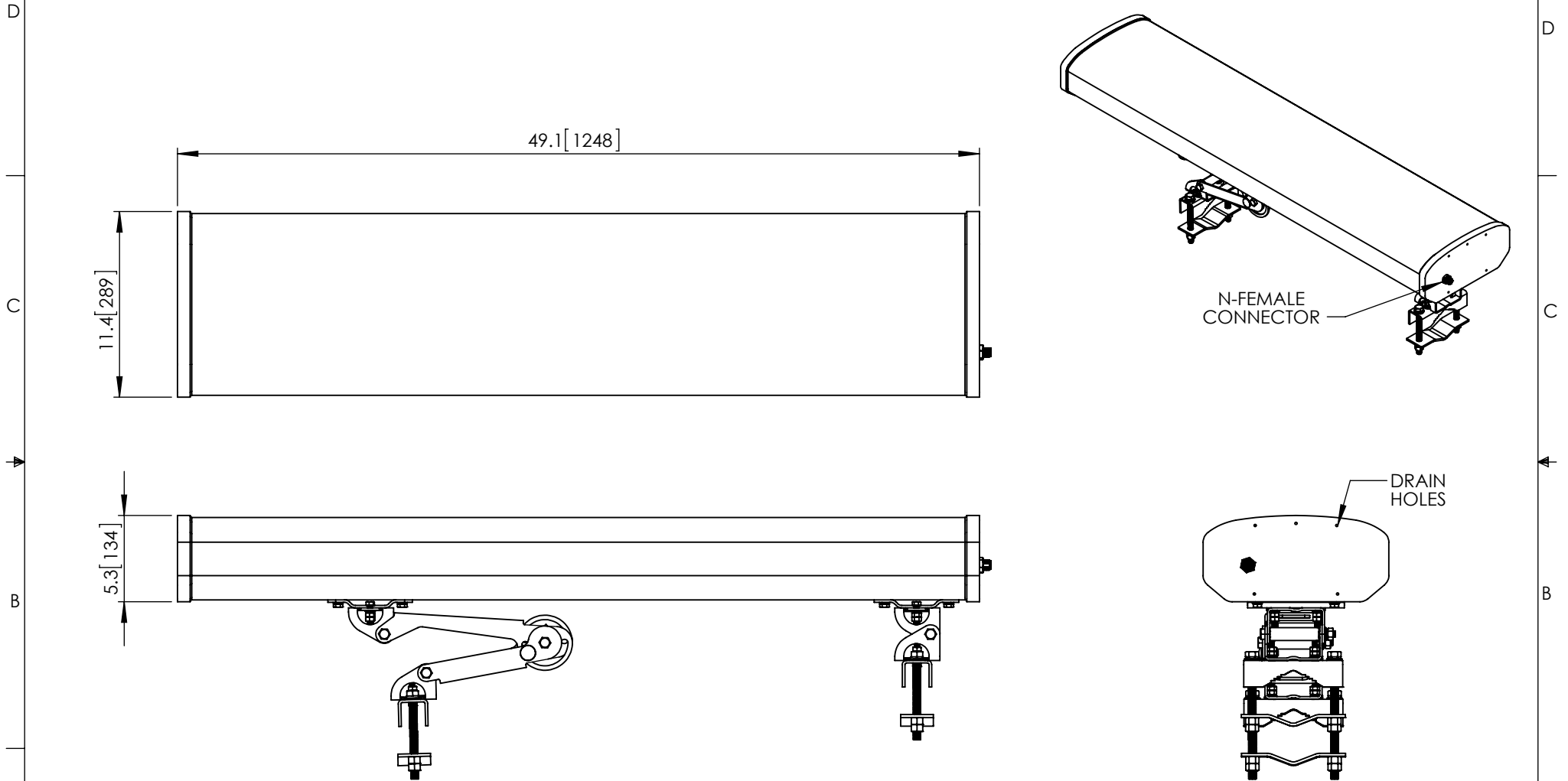



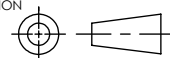
THE INFORMATION CONTAINED IN THIS DRAWING IS THE SOLE PROPERTY OF L-COM, INC. ANY REPRODUCTION IN PART OR WHOLE WITHOUT THE WRITTEN PERMISSION OF L-COM, INC. IS PROHIBITED.

REVISIONS			
REV	DESCRIPTION	DATE	APPROVED
A	INITIAL RELEASE	8/28/12	D.GRIFFIN



NOTES:  
 PACKAGING:  
 COMPONENT SHALL BE PACKAGED IN ACCORDANCE WITH L-COM SPEC PKG-00050.  
 - ALL DIMENSIONS FOR REFERENCE -

**RoHS Compliant** ✓

UNLESS OTHERWISE SPECIFIED, DIMENSIONS ARE IN INCHES [mm]	APPROVALS	DATE	 45 BEECHWOOD DRIVE NORTH ANDOVER, MA 01845
	DRAWN BY B.PUCHASKI	08/22/12	
DIMENSIONAL TOLERANCES: .X = ±.1 .XX = ±.01 .XXX = ±.005	CHECKED BY P.PESA	08/22/12	CATEGORY ANTENNA
	APPROVED BY P.PESA	08/22/12	PRODUCT DESCRIPTION 900MHz 13dBi 120° SECTOR PANEL ANTENNA W/N-FEMALE CONNECTOR
ANGULAR TOLERANCES: ALL = ± 1°	CONFIGURATION DETAILS OF UNDIMENSIONED FEATURES MAY VARY		SIZE <b>A</b> FSCM NO. <b>43321</b> DWG. NO. <b>HG913P-120</b> REV. <b>A</b>
PROJECTION 	COLOR VARIATIONS MAY OCCUR	SCALE: NONE	CAD FILE: HG913P-120.SLDDRW SHEET 1 OF 1