

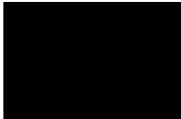


100-mm base with aluminum tube

**Part no.** SL7-CB-T-100  
**Article no.** 171452

**Catalog No.** SL7-CB-T-100

**Delivery programme**

|                            |  |  |  |
|----------------------------|--|--|--|
| Product range              |  |  | SL7 signal towers  |
| Basic function             |  |  | Base module  |
| Connection technique       |  |  | Spring-loaded terminals  |
| Mounting type              |  |  | for horizontal mounting  |
| Fitted with                |  |  | Base with aluminum tube and banjo bolt including cover                               |
| Tube length                |  |  | 100 mm   |
| Number of modules          |  |  | max. 5 modules   |
| Colour                     |  |  | black<br>Aluminum color tube   |
|                            |  |  |  |
| For use with               |  |  | SL7-L-...<br>SL7-BL-...<br>SL7-FL-...<br>SL7-AP-...                                  |
| Connection to SmartWire-DT |  |  | no   |

**Approvals**

|                             |  |
|-----------------------------|--|
| Product Standards           | IEC/EN 60947-5-1; UL 508; CSA-C22.2 No. 14-10; CSA-C22.2 No. 94-91; CE marking |
| UL File No.                 | E29184   |
| UL Category Control No.     | NKCR   |
| CSA File No.                | UL report applies to both US and Canada  |
| CSA Class No.               | NKCR7  |
| North America Certification | UL listed, certified by UL for use in Canada                                   |
| Degree of Protection        | UL Type 4, 4X, 13  |

**General**

|                             |  |    |  |
|-----------------------------|--|----|--|
| Standards                   |  |    | IEC/EN 60947-5-1   |
| Climatic proofing           |  |    | Damp heat, constant, to IEC 60068-2-78<br>Damp heat, cyclic, to IEC 60069-2-30 |
| Mounting position           |  |    | As required  |
| Mechanical shock resistance |  | g  | > 15<br>according to IEC 60068-2-27<br>Shock duration 11 ms<br>Sinusoidal      |
| IEC degree of protection    |  |    | IP66<br>IEC/EN 60529   |
| Protection type UL          |  |    | Type 4, 4X, 13   |
| Cap colour                  |  |    | black<br>Aluminum color tube   |
| Ambient temperature         |  | °C | -30 - +60  |
| Number of signal elements   |  |    | Max. 5 with standard base<br>Max. 10 with base for mounting on both sides      |

|   |  |                 |                 |
|---|--|-----------------|-----------------|
| Terminal capacity                         |  |                 |                 |
| Solid or flexible conductor               |  | mm <sup>2</sup> | 0.13 - 2.5      |
| Flexible with ferrule with plastic collar |  | mm <sup>2</sup> | 0.25 - 1.5      |
|   |  |                 | AWG 24 - AWG 14 |

### Contacts

|                                       |                  |         |       |
|---------------------------------------|------------------|---------|-------|
| Rated impulse withstand voltage       | U <sub>imp</sub> | V<br>AC | 4000  |
| Rated insulation voltage              | U <sub>i</sub>   | V       | 250   |
| Overvoltage category/pollution degree |                  |         | III/3 |

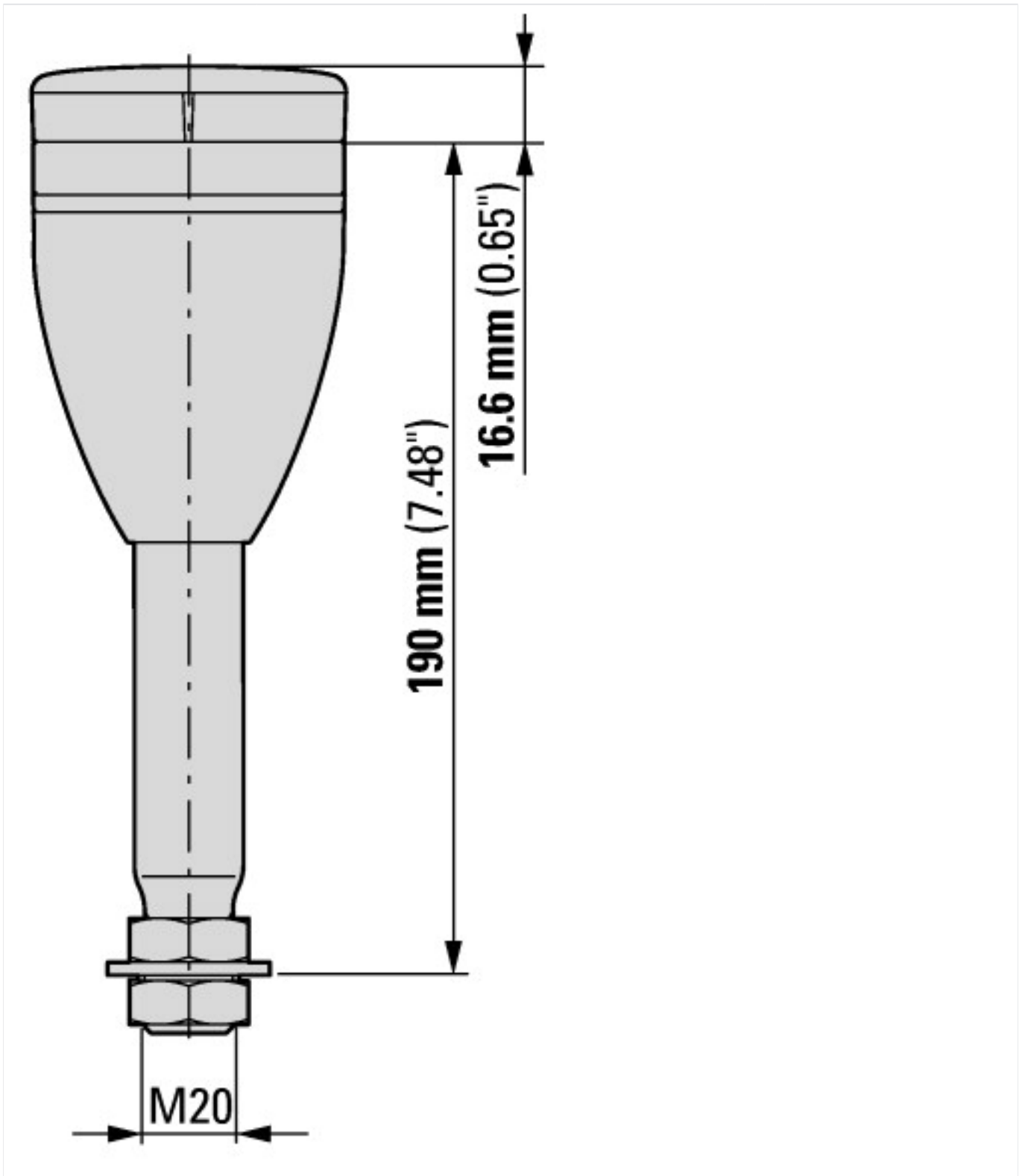
### modules

|                |  |  |   |
|----------------|--|--|---|
| Voltage levels |  |  | 24 V AC/DC ± 10 %<br>110/120 V AC ± 10 %<br>230/240 V AC ± 10 % |
|----------------|--|--|---|

## Technical data ETIM 5.0

|   |  |  |                         |
|---|--|--|-------------------------|
| Low-voltage industrial components (EG000017) / Connection module for signal tower (EC001152)  |  |  |                         |
| Electric engineering, automation, process control engineering / Low-voltage switch technology / Command and alarm device / Signal column element, connection module (ecl@ss8-27-37-12-32 [AKF050010]) |  |  |                         |
| Connection type auxiliary circuit   |  |  | Spring clamp connection |
| Tube mounting possible  |  |  | Yes                     |
| Bracket mounting possible   |  |  | Yes                     |
| Floor mounting possible   |  |  | Yes                     |
| Colour  |  |  | -                       |
| Suitable for AS interface   |  |  | No                      |

## Dimensions



#### Additional product information (links)

IL047003ZU SL7 Base Units

IL047003ZU SL7 Base Units

[ftp://ftp.moeller.net/DOCUMENTATION/AWA\\_INSTRUCTIONS/IL047003ZU2013\\_02.pdf](ftp://ftp.moeller.net/DOCUMENTATION/AWA_INSTRUCTIONS/IL047003ZU2013_02.pdf)