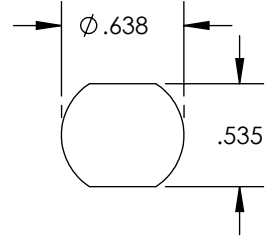
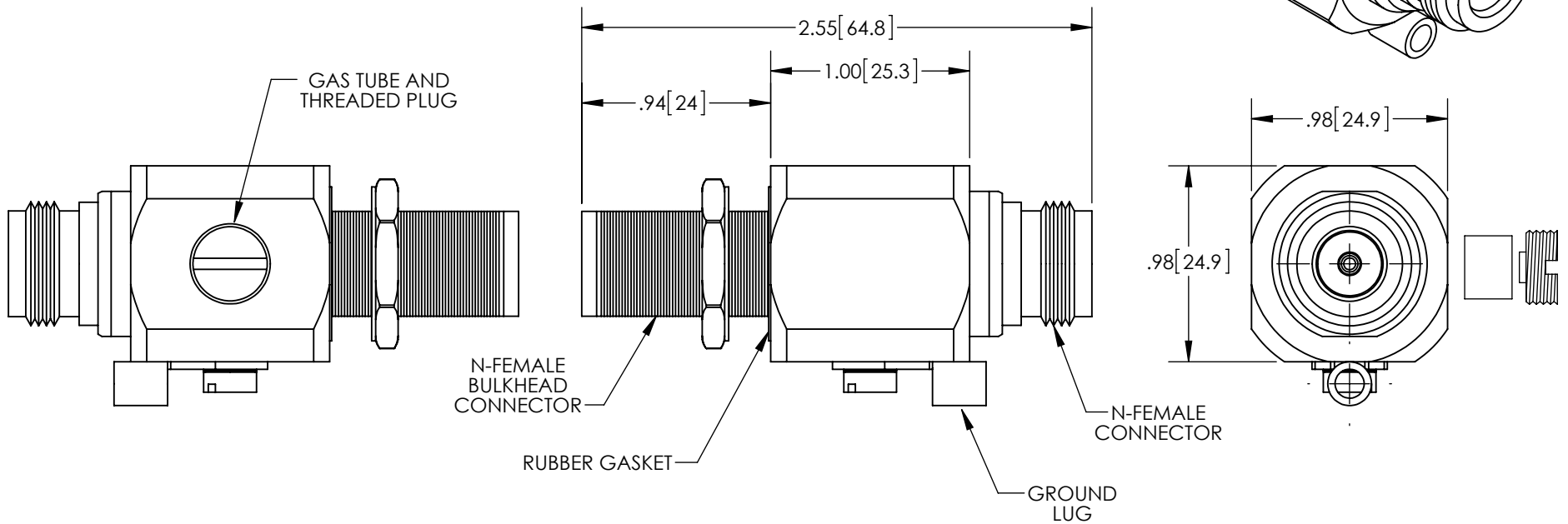
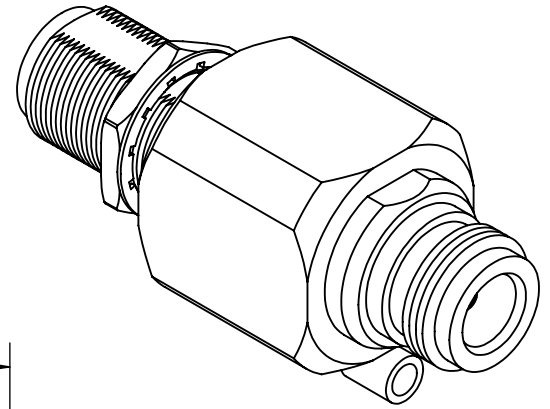


THE INFORMATION CONTAINED IN THIS DRAWING IS THE SOLE PROPERTY OF L-COM, INC. ANY REPRODUCTION IN PART OR WHOLE WITHOUT THE WRITTEN PERMISSION OF L-COM, INC. IS PROHIBITED.

REVISIONS			
REV	DESCRIPTION	DATE	APPROVED
A	INITIAL RELEASE	06/18/12	D.GRIFFIN



SUGGESTED CUT-OUT FOR BULKHEAD



- NOTES:
- 1- MATERIAL:
 BODY: NICKEL PLATED BRASS
 CONTACTS: GOLD PLATED BRASS
 - 2- PACKAGING
 SHALL BE PACKAGED IN ACCORDANCE WITH L-COM SPEC. PKG-00060
 - 3- THIS PROTECTOR FOR INDOOR USE ONLY
- ALL DIMENSIONS FOR REFERENCE ONLY -

RoHS Compliant ✓

UNLESS OTHERWISE SPECIFIED, DIMENSIONS ARE IN INCHES [mm]	APPROVALS	DATE		45 BEECHWOOD DRIVE NORTH ANDOVER, MA 01845		
	DRAWN BY B.PUCHASKI	06/18/12				
	DIMENSIONAL TOLERANCES: .X = ±.1 .XX = ±.01 .XXX = ±.005	CHECKED BY K.BURGNER	06/18/12	CATEGORY LIGHTNING PROTECTORS		
ANGULAR TOLERANCES: ALL = ± 1°	APPROVED BY P.PESA	06/18/12	PRODUCT DESCRIPTION INDOOR N-FEMALE TO N-FEMALE BULKHEAD 0-3GHz 90V LIGHTNING PROTECTOR			
PROJECTION 	CONFIGURATION DETAILS OF UNDIMENSIONED FEATURES MAY VARY	COLOR VARIATIONS MAY OCCUR	SIZE A	FSCM NO. 43321	DWG. NO. AL-NFNFBHP-9	REV. A
			SCALE: NONE	CAD FILE: AL-NFNFBHP-9.SLDDRW	SHEET 1 OF 1	