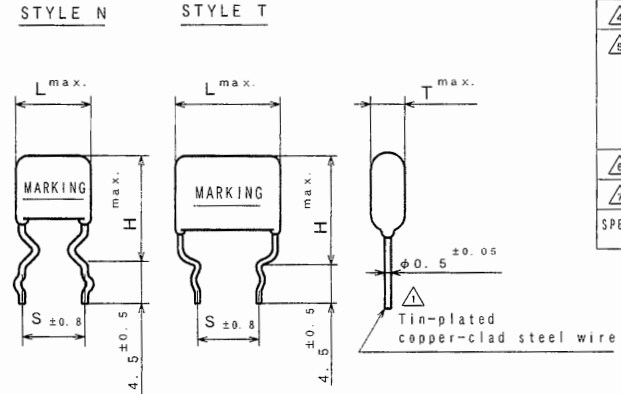
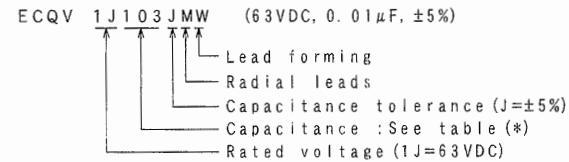


THIRD ANGLE PROJECTION

ITEM CODE	CAPACITANCE		DIMENSIONS				STYLE
	μF	(*)	L	T	H	S	
ECQV 1J103JMW	0.01	(103)	7.5	3.2	10.8	5.0	N
" 1J123JMW	0.012	(123)	"	"	"	"	"
" 1J153JMW	0.015	(153)	"	"	"	"	"
" 1J183JMW	0.018	(183)	"	"	"	"	"
" 1J223JMW	0.022	(223)	"	"	"	"	"
" 1J273JMW	0.027	(273)	"	"	"	"	"
" 1J333JMW	0.033	(333)	"	"	"	"	"
" 1J393JMW	0.039	(393)	"	"	"	"	"
" 1J473JMW	0.047	(473)	"	"	"	"	"
" 1J563JMW	0.056	(563)	"	"	"	"	"
" 1J683JMW	0.068	(683)	"	"	"	"	"
" 1J823JMW	0.082	(823)	"	"	"	"	"
" 1J104JMW	0.1	(104)	"	"	11.0	"	"
" 1J124JMW	0.12	(124)	"	3.8	"	"	"
" 1J154JMW	0.15	(154)	"	4.1	"	"	"
" 1J184JMW	0.18	(184)	10.2	3.5	14.0	"	T
" 1J224JMW	0.22	(224)	"	"	"	"	"
" 1J274JMW	0.27	(274)	"	"	"	"	"
" 1J334JMW	0.33	(334)	"	3.8	"	"	"
" 1J394JMW	0.39	(394)	"	4.0	"	"	"
" 1J474JMW	0.47	(474)	"	4.5	"	"	"
" 1J564JMW	0.56	(564)	"	4.9	"	"	"
" 1J684JMW	0.68	(684)	"	5.5	15.0	"	"
" 1J824JMW	0.82	(824)	"	6.1	"	"	"
" 1J105JMW	1.0	(105)	"	6.9	"	"	"



ITEM CODE NUMBER STRUCTURE



ALTERATION		
ISSUE	DESCRIPTION	DATE
⚠	Modification	Aug. 1 2000
⚠	Company name changed	Oct. 1 2004
⚠	Company name changed	Apr. 1 2005
⚠	Company name changed	Apr. 1 2006
⚠	Correction: category temperature range (-40°C~+85°C→-40°C~+105°C) Addition: rated voltage (Derating of rated voltage by 2.5%/°C at more than 85°C) Company name changed	Apr. 1 2008
⚠	Company name changed	Apr. 1 2012
⚠	Company name changed	Apr. 1 2013

SPECIFICATIONS No.

CONSTRUCTION

The capacitor is of non-inductive construction with metallized polyester film and acrylic resin dielectric.

The capacitor is enclosed in epoxy resin and has two leads.

MARKING

Marking comprises capacitance and manufacturer's date code.

PROPERTIES

- Capacitance : See table (*) at 1kHz
- Capacitance tolerance : $\pm 5\%$ (J)
- Rated voltage : 63VDC ⚠ (Derating of rated voltage by 2.5%/°C at more than 85°C)
- Insulation resistance : I. $R \geq 3,000\text{M}\Omega$ when $C \leq 0.33\mu\text{F}$
C. $R \geq 1,000\text{M}\Omega \cdot \mu\text{F}$ when $C > 0.33\mu\text{F}$ } at 50VDC, 20°C
- Withstand voltage (terminal-terminal) : Rated voltage X 150% for 60s

*Dissipation factor : $\leq 1.0\%$ at 1kHz, 20°C

Category temperature range : ⚠ From -40°C to +105°C (Including temperature rise on unit surface)

DO NOT SCALE DRAWING REVISIONS INDICATED BY Δ ALL DIMENSIONS ARE IN MILLIMETERS

Reference

DESIGN	<i>M. Akashi</i>
CHECKED	<i>R. Sunagata</i>
APPROVAL	<i>K. Takumoto</i>
ESTABLISHMENT	Jan. 31. 2000
TYPE NAME	
ECQV 1J***JMW	
NAME STACKED METALLIZED FILM CAPACITOR	
DRAWING NAME	
PRODUCT DRAWING	
DRAWING No.	
CV-H-B43B (1/1)	

Film Capacitor Division
Capacitor Business Division
Panasonic Corporation

(example)

1 0 3
date code