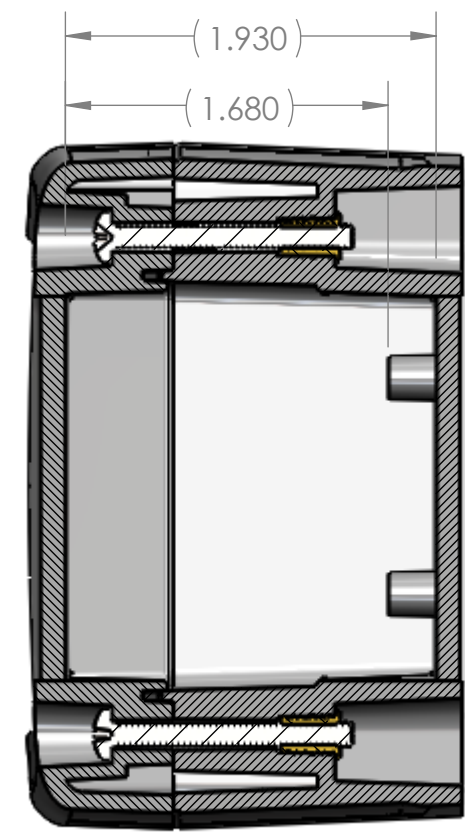
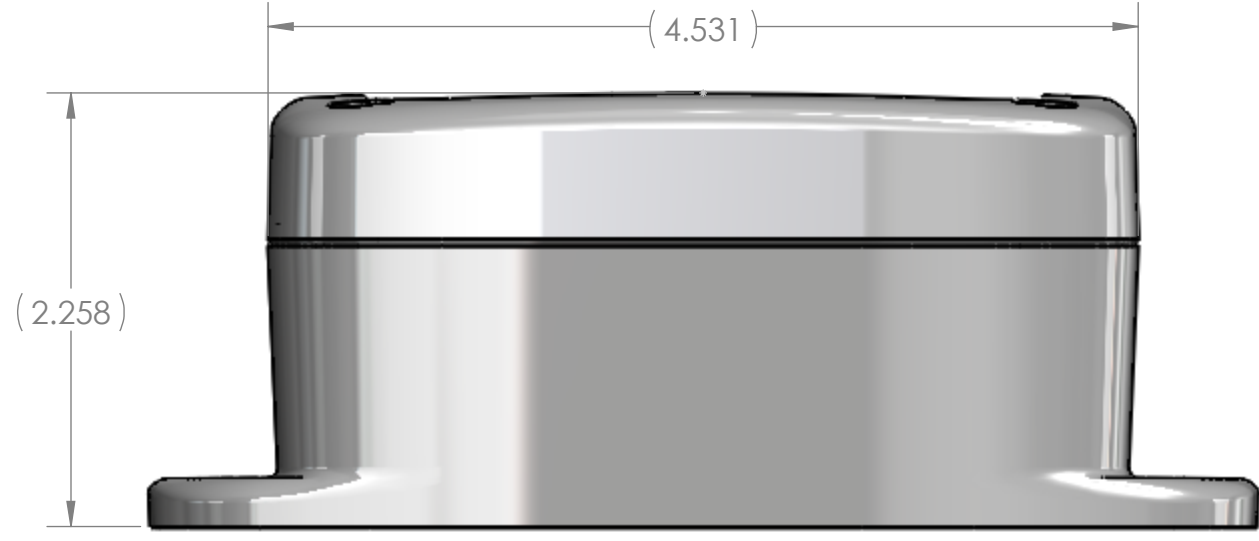
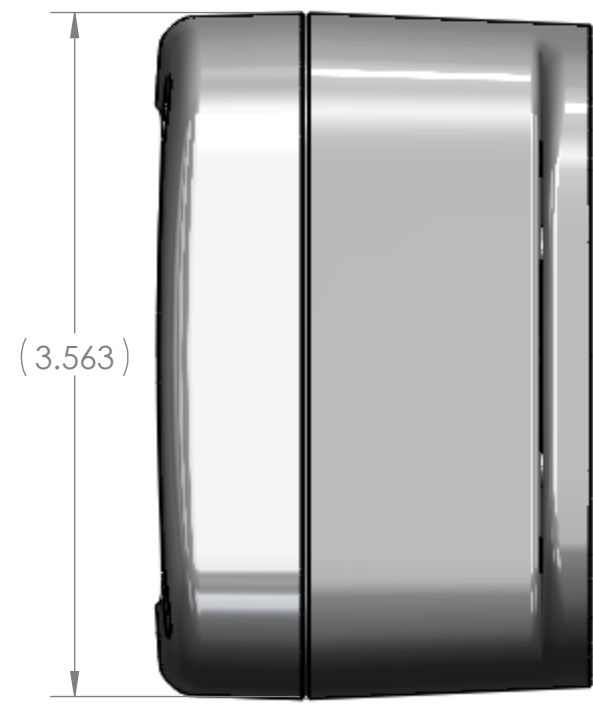
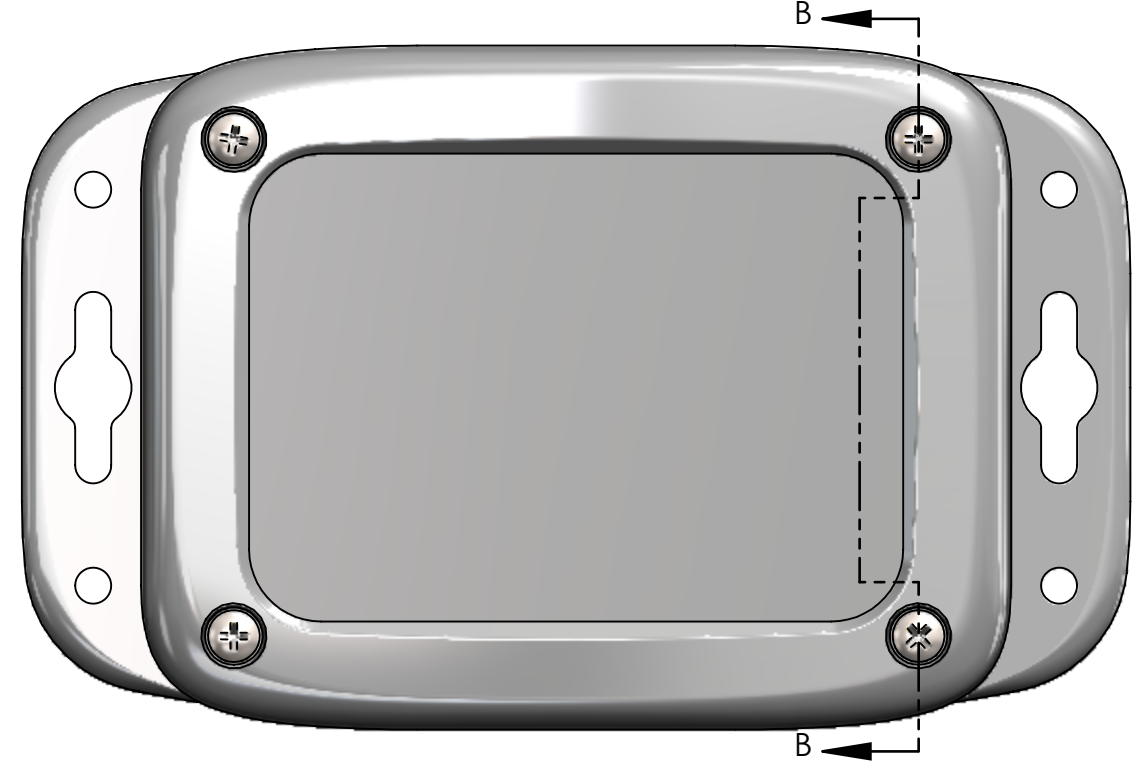
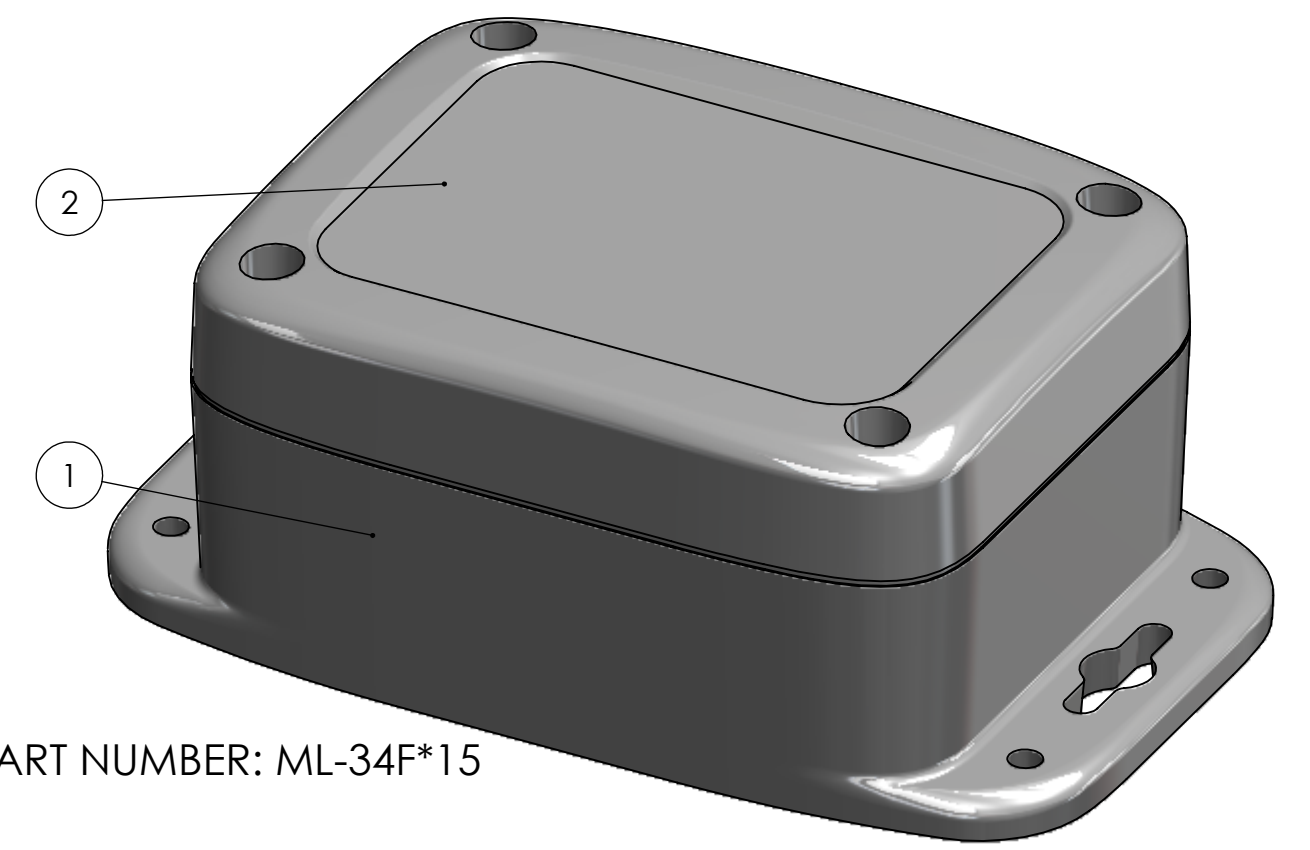


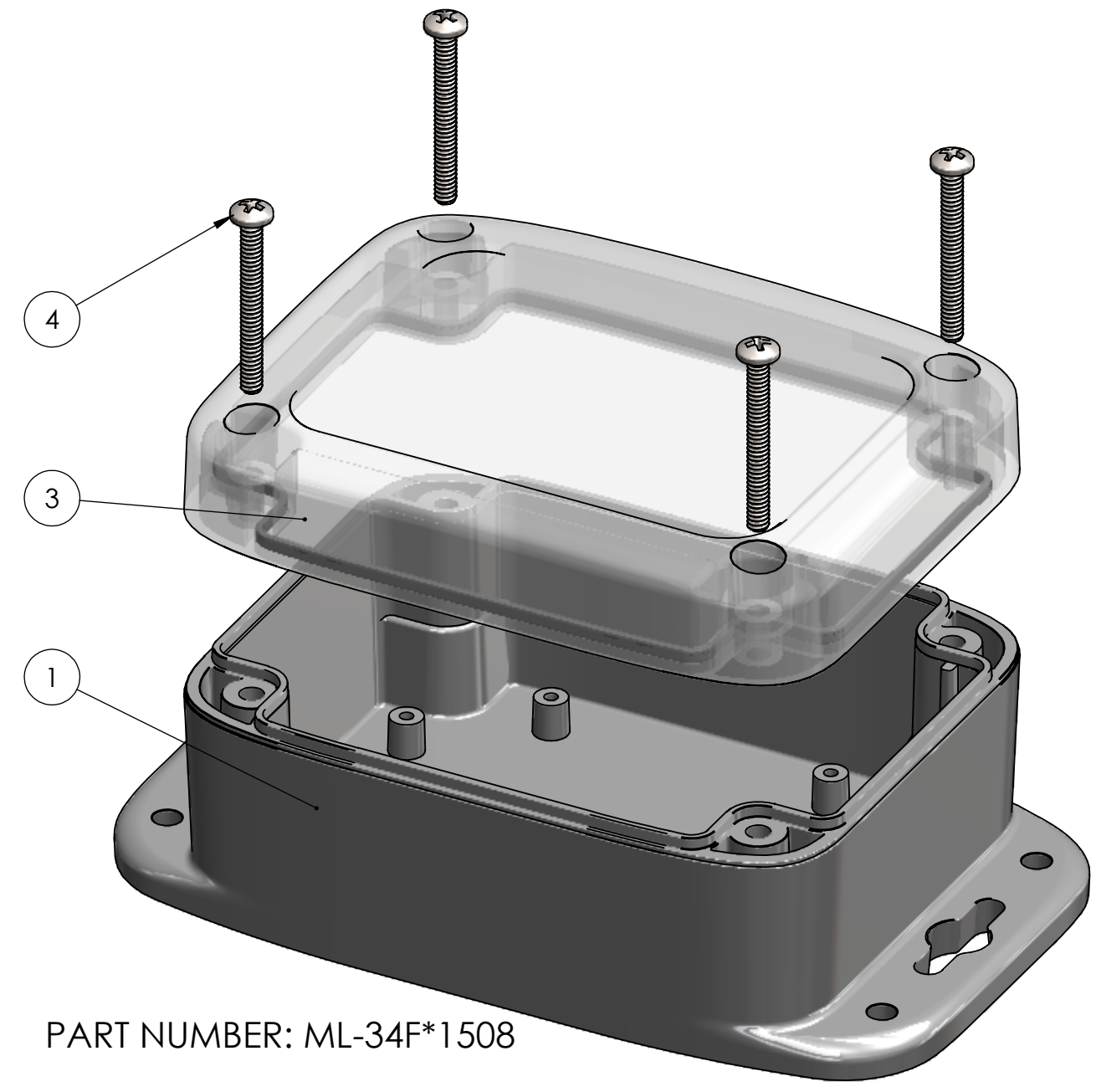
BOM Table							
ITEM NO.	PART NUMBER	Rev.	Description	FlameRating	Color	ML-34F*15/QTY.	ML-34F*1508/QTY.
1	ML-34BF	-	BASE W/BRASS INSERTS	UL94V-0	LIGHT GRAY (RAL 7035)	1	1
2	ML-34CG*15	-	COVER WITH GASKET	UL94V-0	LIGHT GRAY (RAL 7035)	1	-
3	ML-34CG*08	-	COVER WITH GASKET	UL94V-0	CLEAR	-	1
4	SCREWS-SS6-4	-	4-PACK: 6-32 X 1.25 PHMS			1	1



SECTION B-B



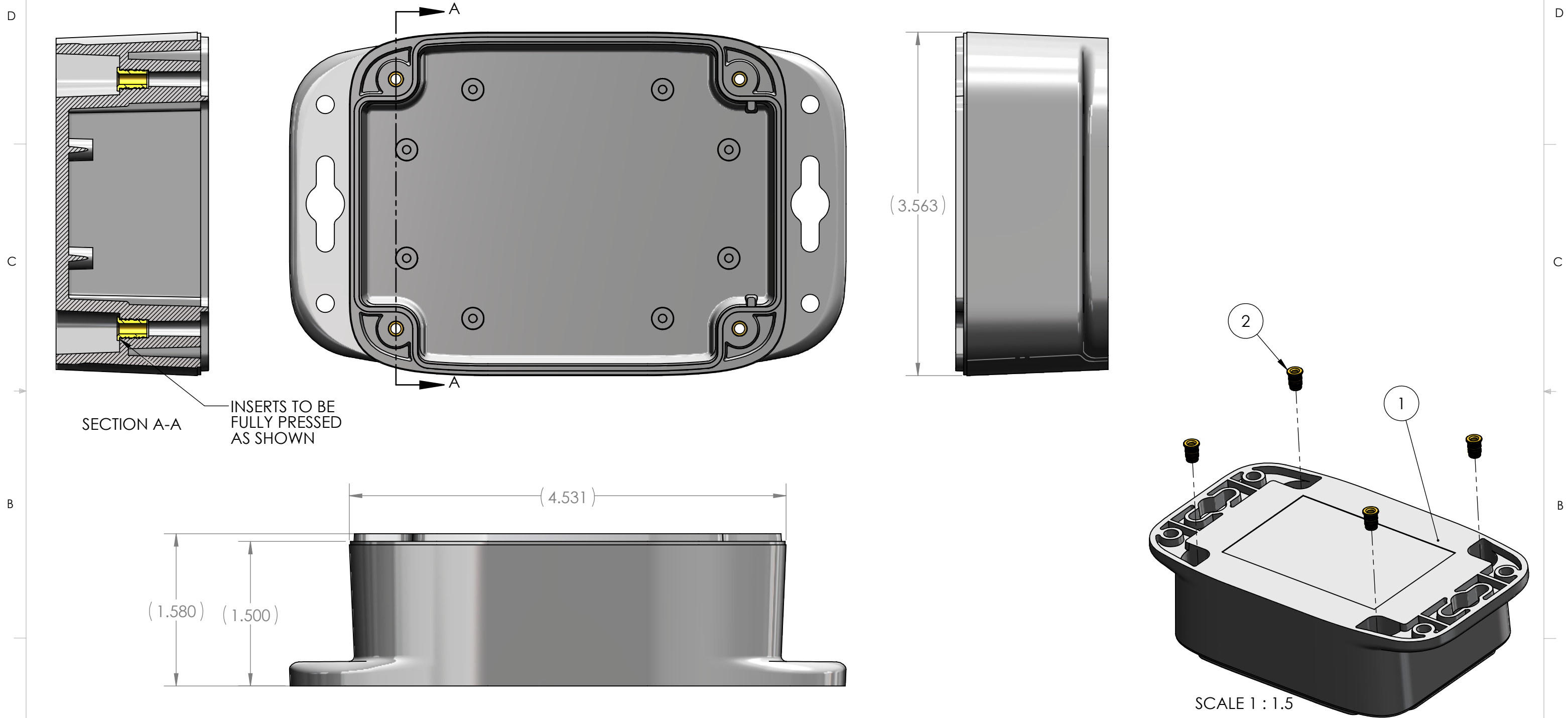
PART NUMBER: ML-34F*15




PART NUMBER: ML-34F*1508

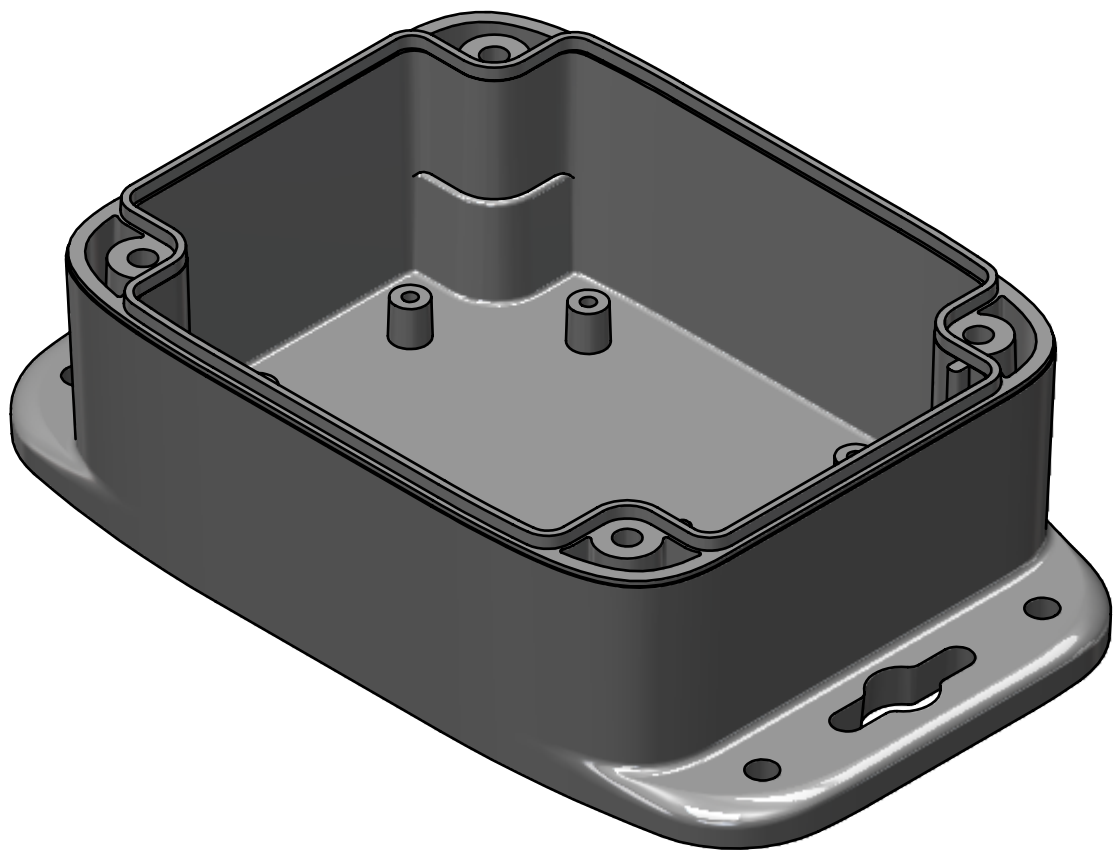
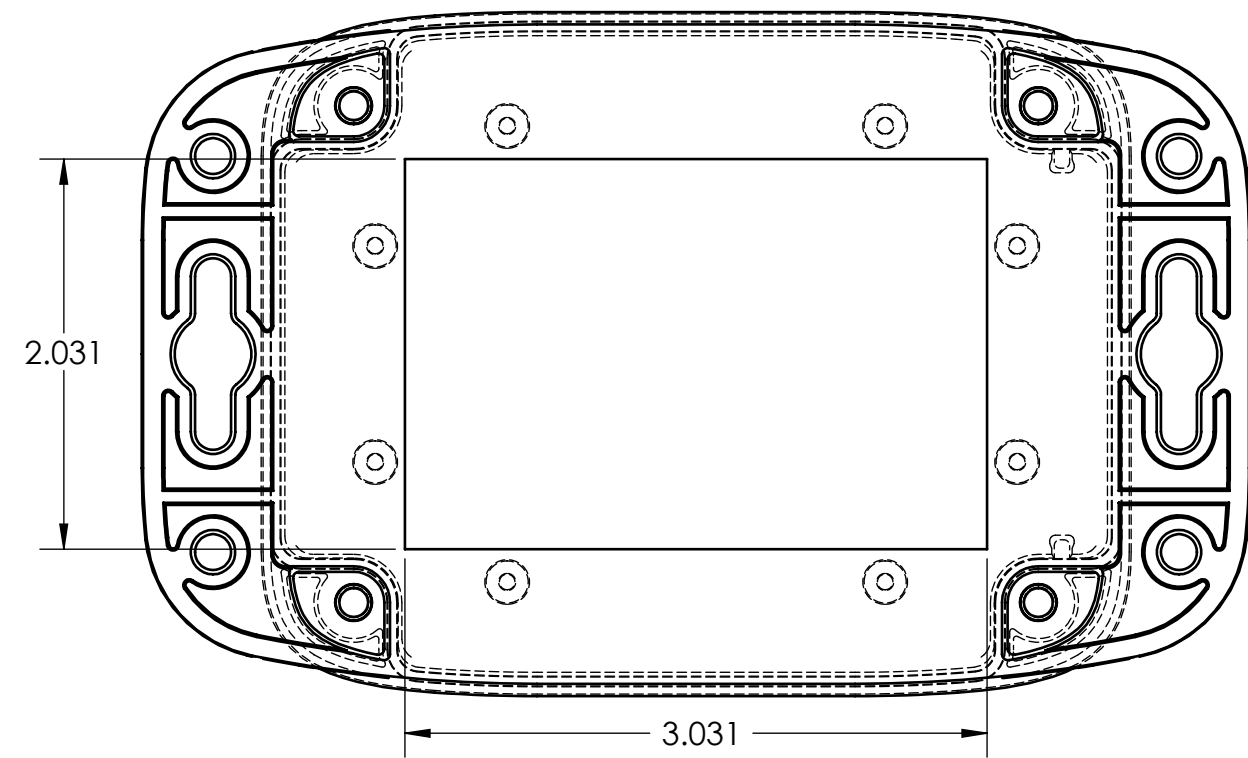
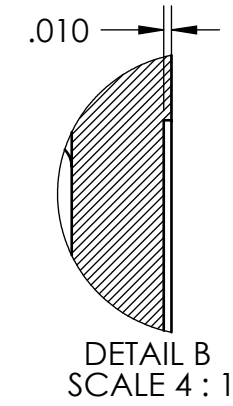
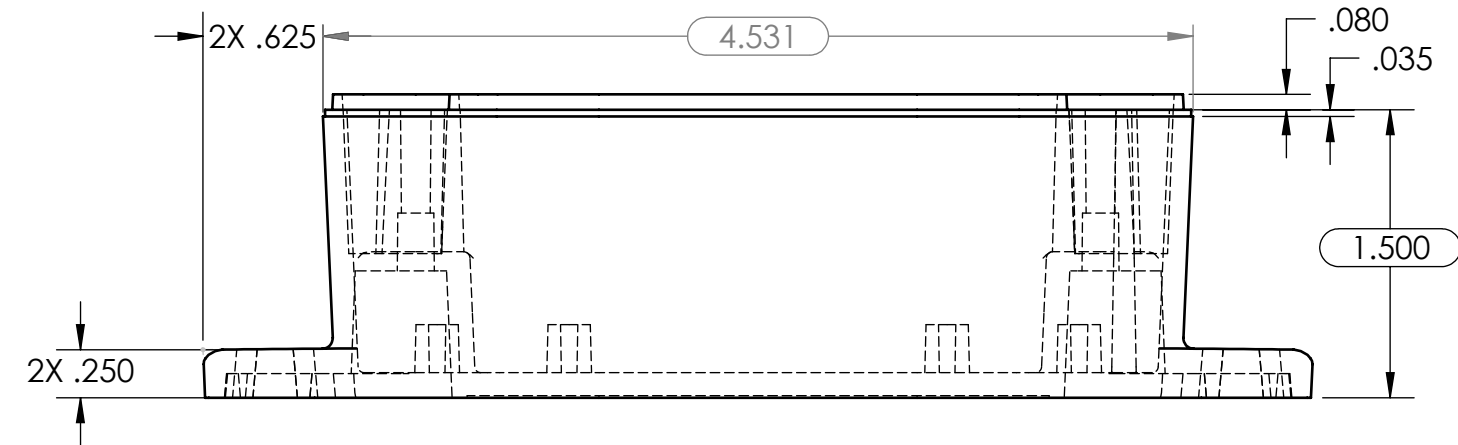
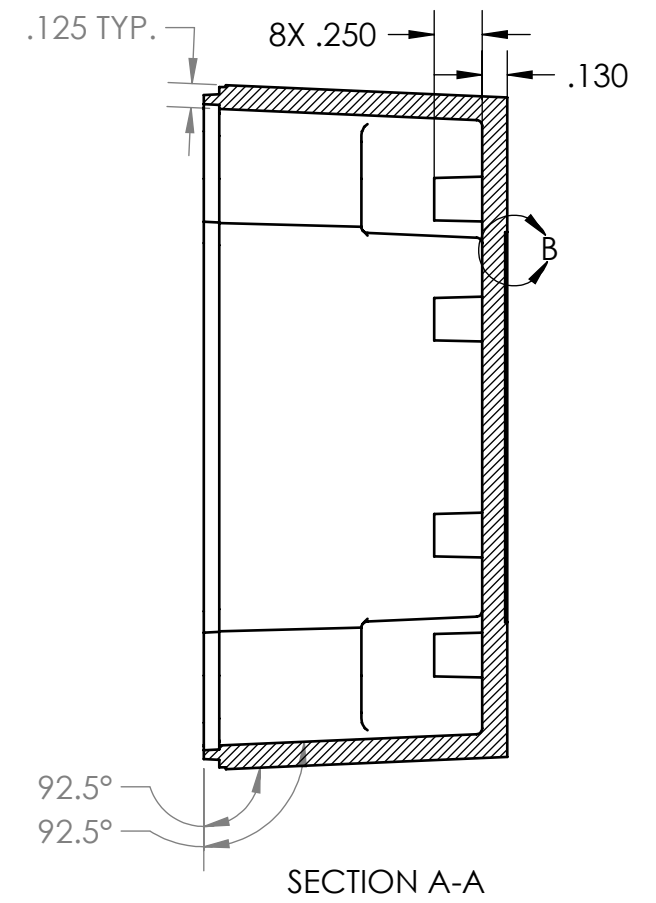
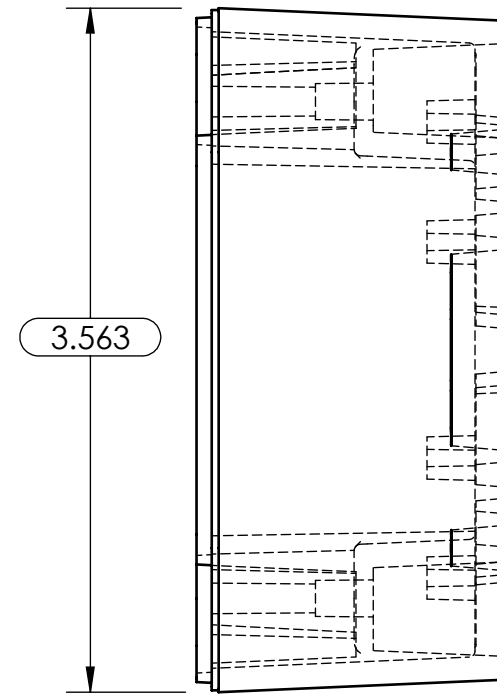
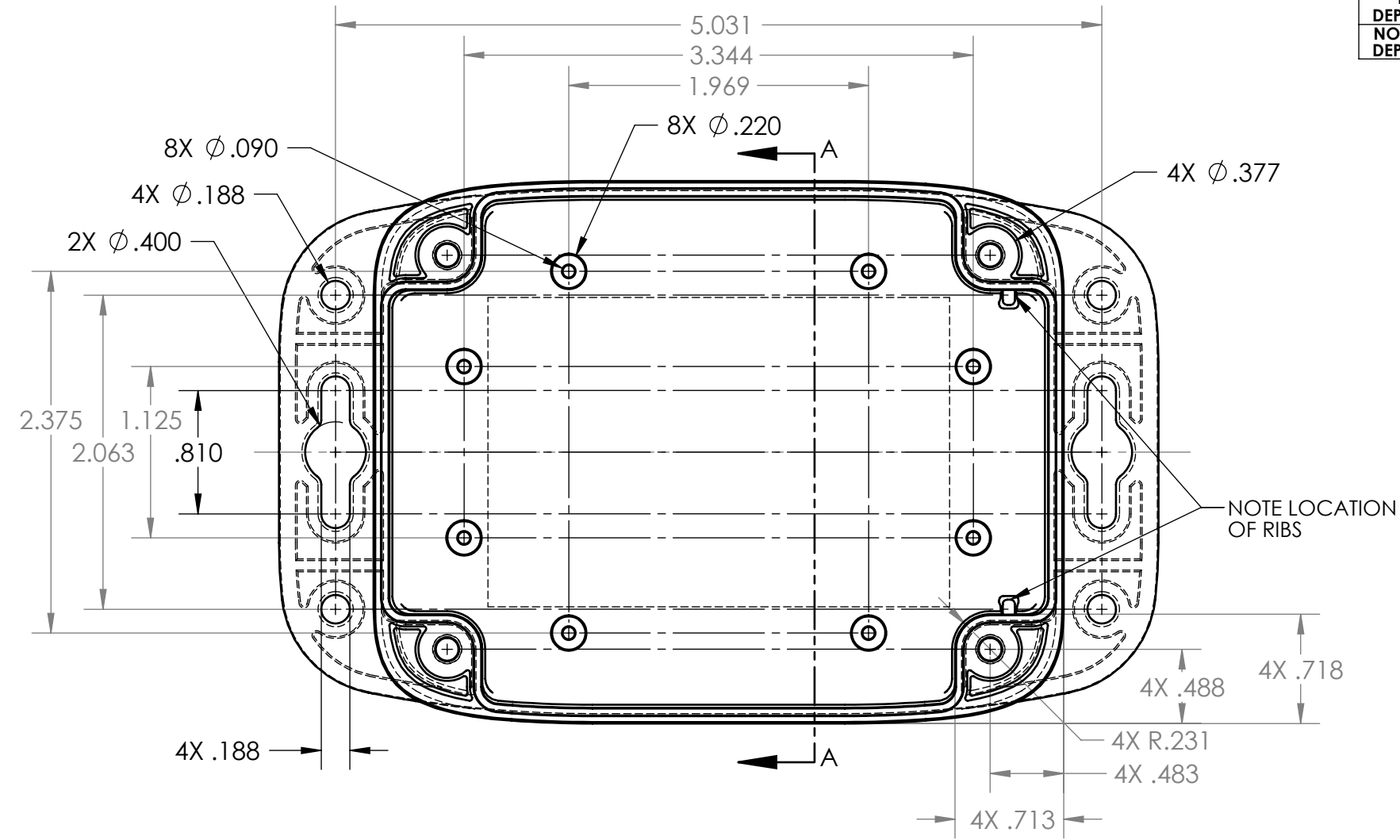
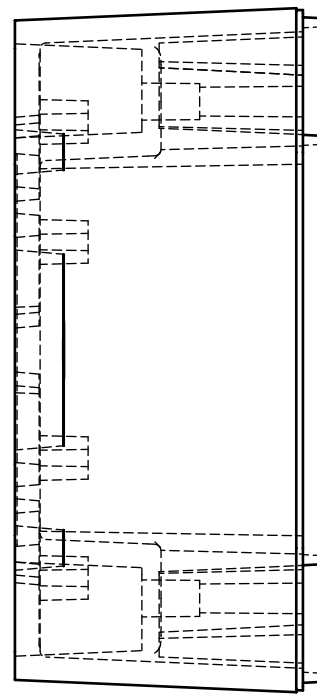
<small>UNLESS OTHERWISE SPECIFIED: DIMENSIONS ARE IN: INCHES[mm] TOLERANCES: ANGULAR: ±2° TWO PLACE DECIMAL: ±.010 THREE PLACE DECIMAL: ±.005 PRINTED GRAPHICS: ±.010</small>	PART NO. SEE BOM			ASSEMBLY REV
	MATERIAL SEE BOM			
	FLAME RATING SEE BOM			
	SIZE C			
<small>PROPRIETARY AND CONFIDENTIAL THE INFORMATION CONTAINED IN THIS DRAWING IS THE SOLE PROPERTY OF POLYCASE. ANY REPRODUCTION IN PART OR AS A WHOLE WITHOUT THE WRITTEN PERMISSION OF POLYCASE IS PROHIBITED. CAD FILE: ML-34F</small>	<small>NAME</small> D.M.F.	<small>DATE</small> 10/1/2013 2/5/2013	SCALE: 1:1	SHEET 1 OF 1

BOM Table								
ITEM NO.	PART NUMBER	Rev.	Description	Material	FlameRating	Color	QTY.	
1	ML-34BFN*15	-	BASE W/FLANGES & PCB BOSSES	PC	UL94V-0	LIGHT GRAY (RAL 7035)	1	
2	INSERT-3	-	THREADED INSERT #6-32	BRASS			4	



UNLESS OTHERWISE SPECIFIED: DIMENSIONS ARE IN: INCHES[mm] TOLERANCES: ANGULAR: ±2° TWO PLACE DECIMAL: ±.010 THREE PLACE DECIMAL: ±.005 PRINTED GRAPHICS: ±.010		PART NO. ML-34BF*15		 <small>1305 CHESTER IND. PARKWAY AVON, OHIO 44011-1083 U.S.A. PH#: 1-800-248-1233, 440-934-0444 FAX#: 440-934-0088</small>	
PROPRIETARY AND CONFIDENTIAL THE INFORMATION CONTAINED IN THIS DRAWING IS THE SOLE PROPERTY OF POLYCASE. ANY REPRODUCTION IN PART OR AS A WHOLE WITHOUT THE WRITTEN PERMISSION OF POLYCASE IS PROHIBITED. CAD FILE: ML-34BF		MATERIAL			
FLAME RATING UL94V-0		SIZE B		BASE W/BRASS INSERTS	
DRAWN CHECKED		NAME D.M.F.		REV -	
		DATE 10/1/2013		SCALE: 1:1	
		2/5/2013		SHEET 1 OF 1	

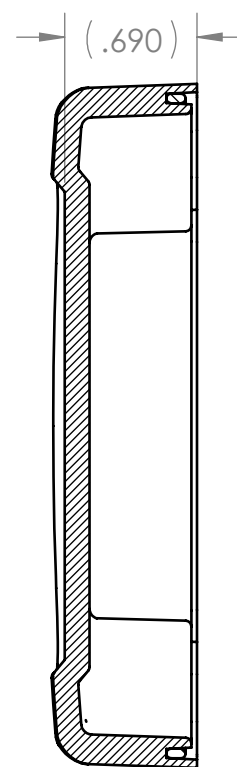
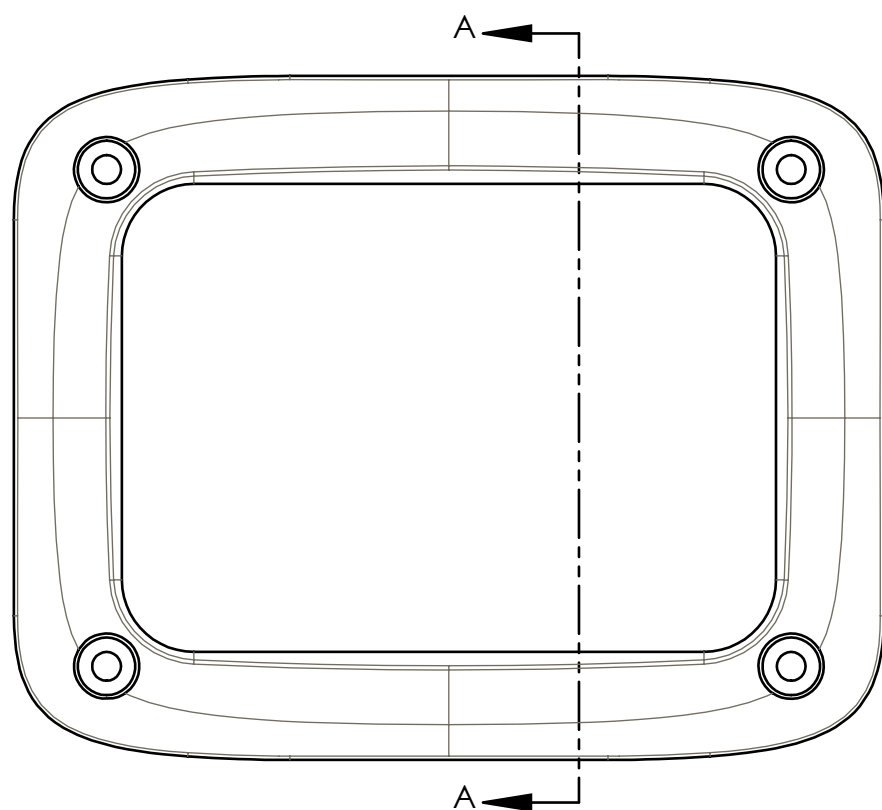
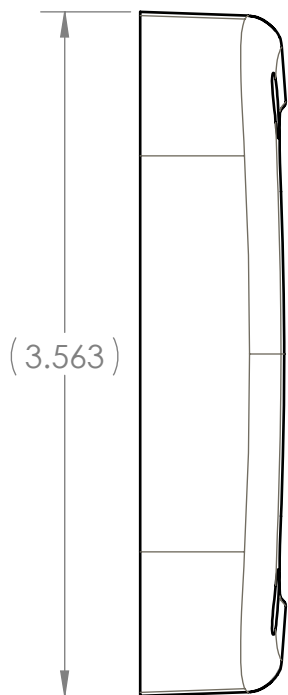
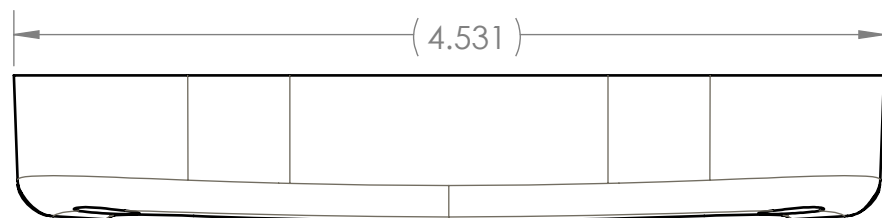
TOLERANCE CHART																
DIMENSION RANGE	0	.039	.118	.236	.394	.591	.866	1.181	1.575	2.087	2.756	3.543	4.724	6.299	7.874	9.843
TOOL DEPENDENT	±.007	±.007	±.008	±.008	±.009	±.010	±.011	±.012	±.013	±.015	±.017	±.020	±.024	±.028	±.035	.043
NON-TOOL DEPENDENT	±.003	±.004	±.004	±.004	±.005	±.006	±.007	±.008	±.009	±.011	±.013	±.016	±.020	±.024	±.031	.039



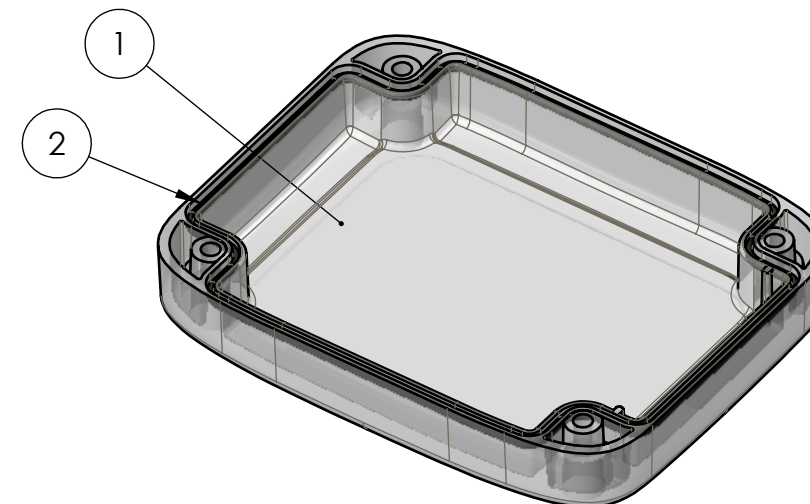
- NOTES:
- COLOR: LIGHT GRAY (RAL 7035)
 - MATERIAL SPEC: /PC/XXX/GY
 - REFER TO SOLID MODEL FOR COMPLETE PART DEFINITION.
 - (INSPECTION DIMENSION)
 - EJECTOR PINS TO BE FLUSH ±.015
 - FLASH .005 MAX
 - MAX REGRIND: 20%
 - GATE MUST BE FLUSH $\begin{matrix} +.000 \\ -.015 \end{matrix}$

UNLESS OTHERWISE SPECIFIED: DIMENSIONS ARE IN: INCHES[mm] TOLERANCES: ANGULAR: ±2° TWO PLACE DECIMAL: ± THREE PLACE DECIMAL: ± PRINTED GRAPHICS: ±	PART NO. ML-34BFN*15		polycase 1305 CHESTER RD. PARKWAY AVON, OHIO 44011-1083 U.S.A. PH: 1-800-248-1233, 440-934-0444 FAX: 440-934-0088
	MATERIAL PC		
PROPRIETARY AND CONFIDENTIAL THE INFORMATION CONTAINED IN THIS DRAWING IS THE SOLE PROPERTY OF POLYCASE. ANY REPRODUCTION IN PART OR AS A WHOLE WITHOUT THE WRITTEN PERMISSION OF POLYCASE IS PROHIBITED. CAD FILE: ML-34BFN	FLAME RATING UL94V-0	SIZE C	BASE W/FLANGES & PCB BOSSSES
DRAWN CHECKED	NAME D.M.F.	DATE 10/1/2013 2/4/2013	REV -
SCALE: 1:1			SHEET 1 OF 1

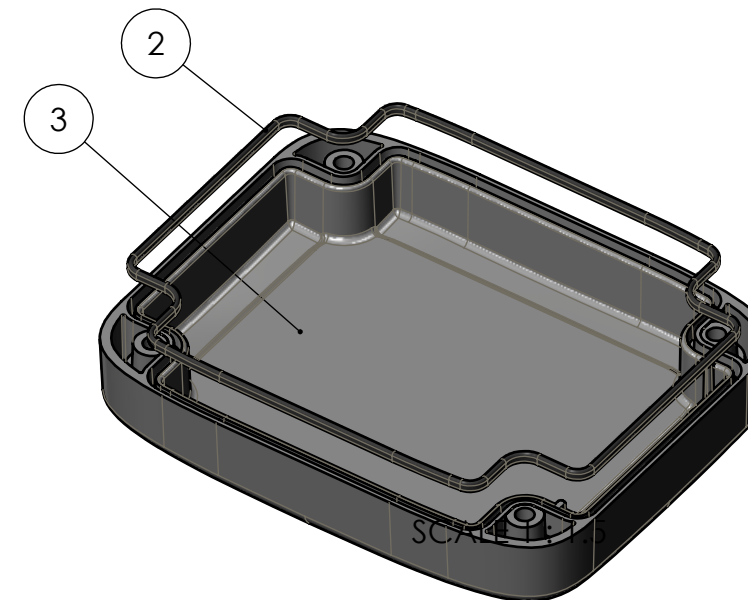
BOM Table								
ITEM NO.	PART NUMBER	Rev.	Description	Material	FlameRating	Color	ML-34CG*15/QTY.	ML-34CG*08/QTY.
1	ML-34C*08	D	COVER	PC	UL94V-0	CLEAR	-	1
2	GASKET-6	D	GASKET	SILICONE		CLEAR	1	1
3	ML-34C*15	D	COVER	PC	UL94V-0	LIGHT GRAY (RAL 7035)	1	-



SECTION A-A



SCALE 1 : 1.5



UNLESS OTHERWISE SPECIFIED:
 DIMENSIONS ARE IN: INCHES [mm]
 TOLERANCES: ANGULAR: ±2°
 TWO PLACE DECIMAL: ±.010
 THREE PLACE DECIMAL: ±.005
 PRINTED GRAPHICS: ±.010

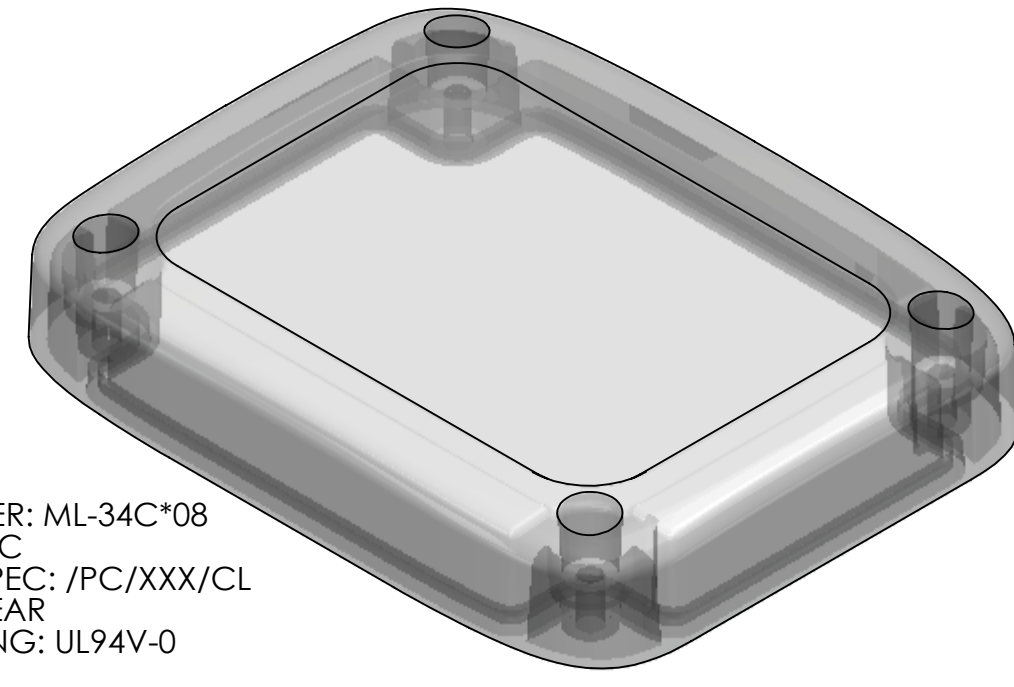
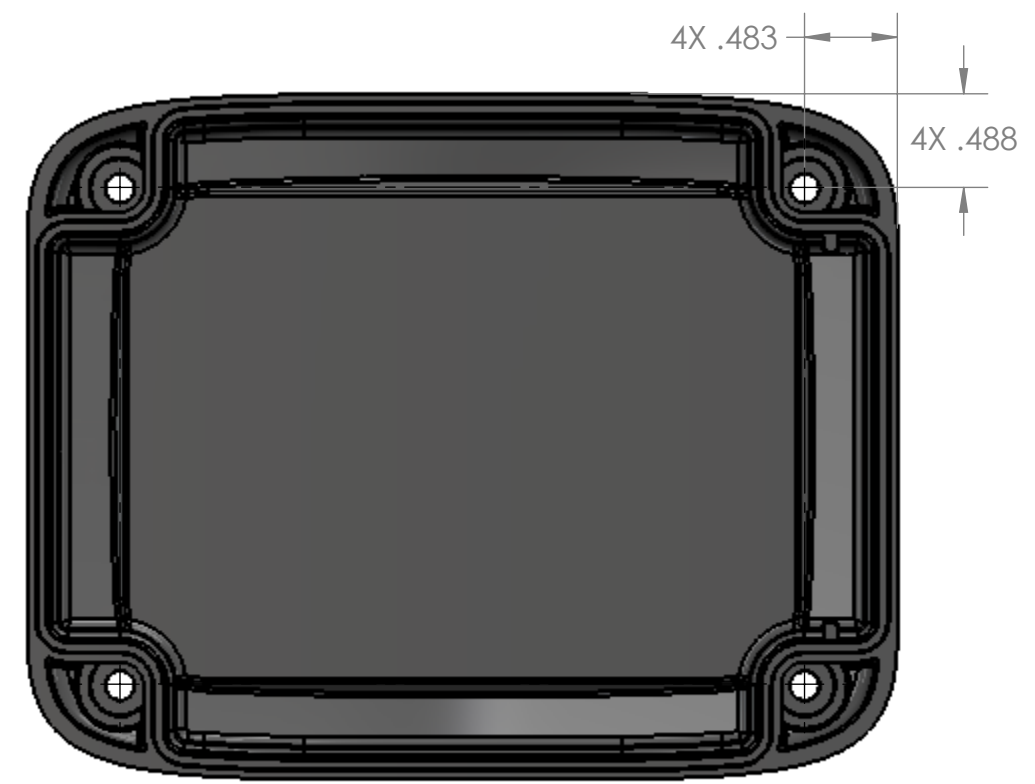
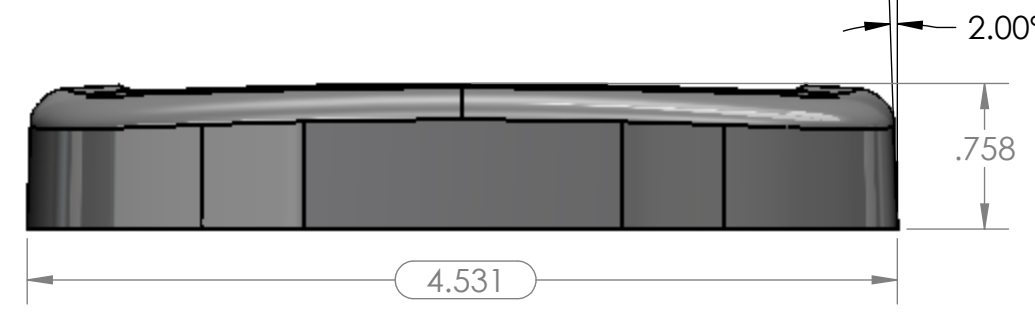
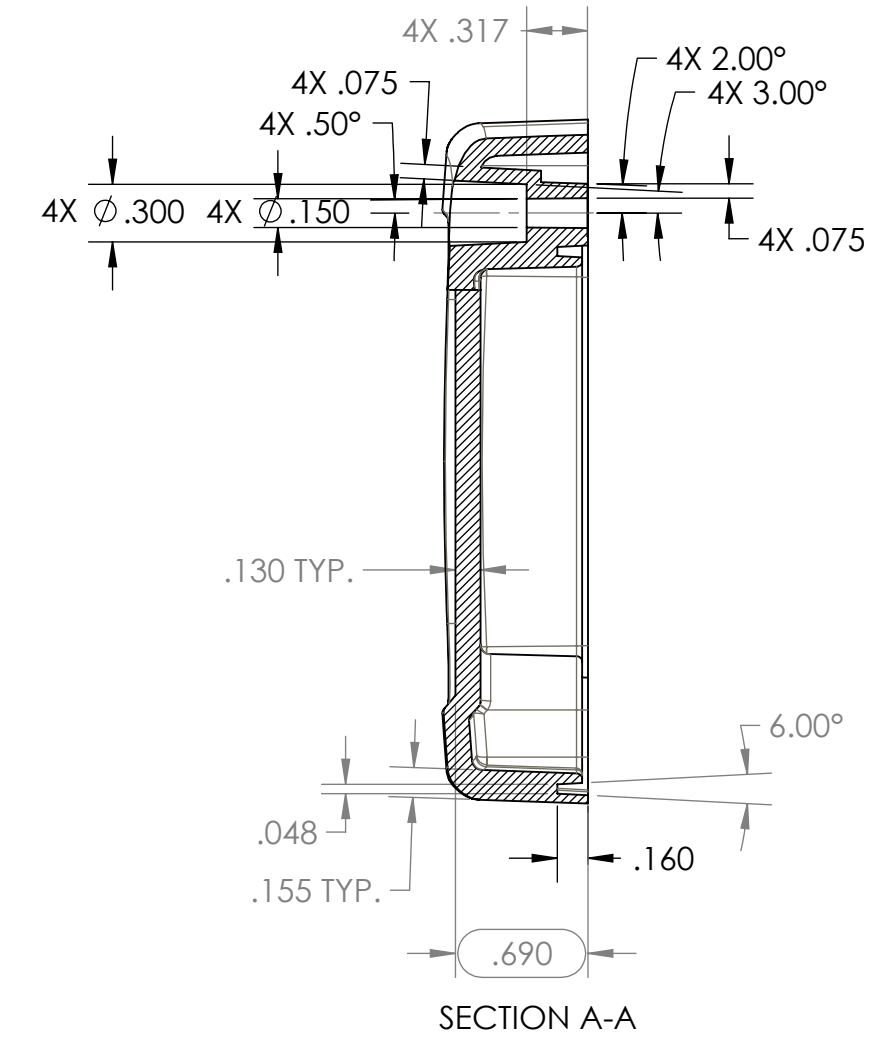
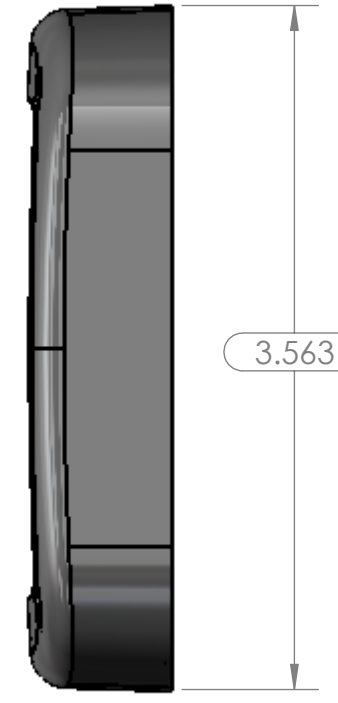
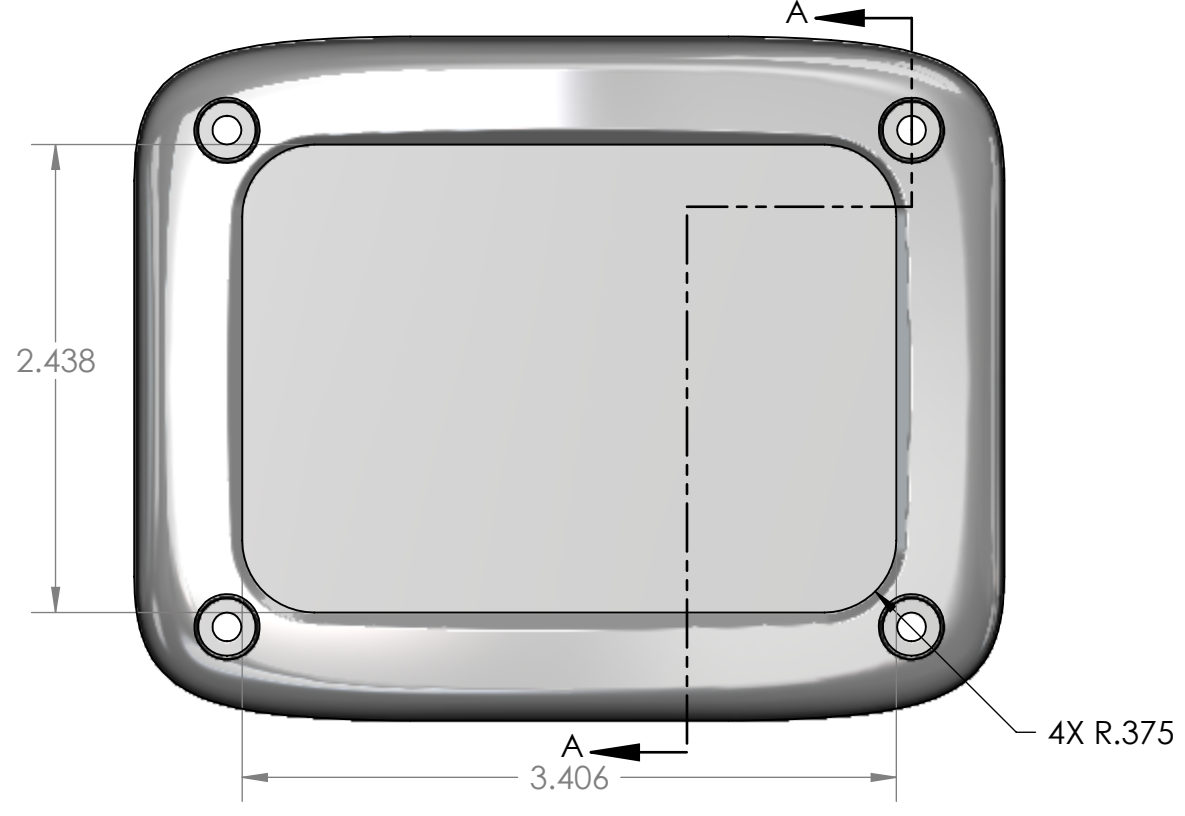
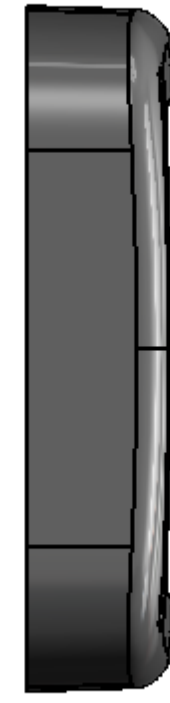
PROPRIETARY AND CONFIDENTIAL
 THE INFORMATION CONTAINED IN THIS
 DRAWING IS THE SOLE PROPERTY OF
 POLYCASE. ANY REPRODUCTION IN PART
 OR AS A WHOLE WITHOUT THE WRITTEN
 PERMISSION OF POLYCASE IS PROHIBITED.
 CAD FILE: ML-34CG

PART NO. SEE BOM		DATE 10/1/2013
MATERIAL SEE BOM		
FLAME RATING SEE BOM		NAME D.M.F.
DRAWN		DATE 2/5/2013
CHECKED		

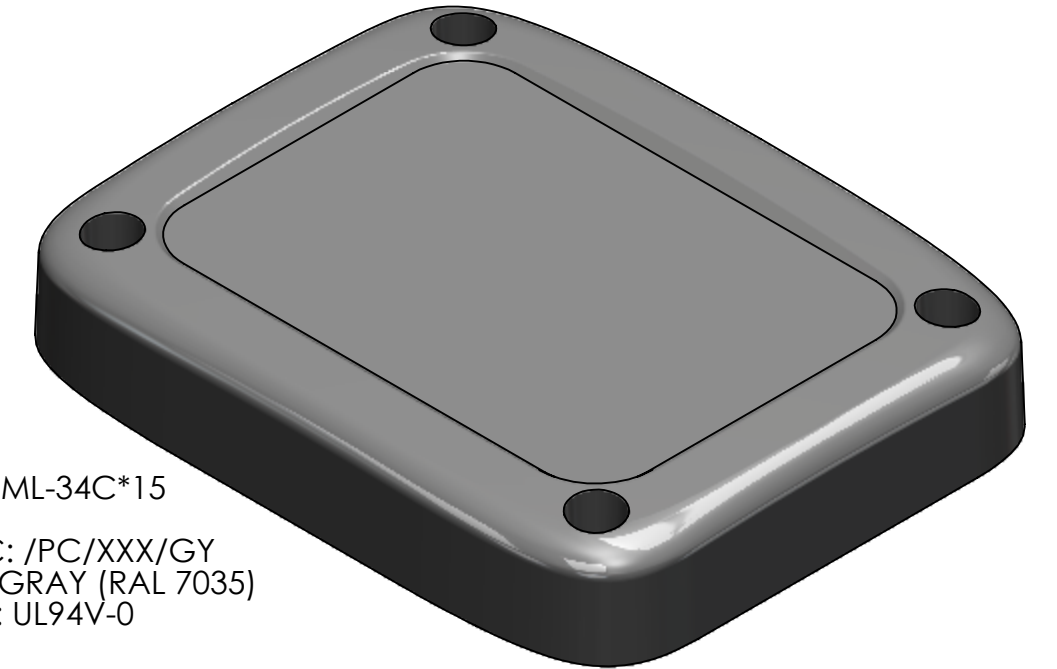
polycase
 1305 CHESTER IND. PARKWAY AVON, OHIO 44011-1083 U.S.A.
 PH#: 1-800-248-1233, 440-934-0444 FAX#: 440-934-0088

SIZE B	COVER WITH GASKET	REV -
SCALE: 1:1	SHEET 1 OF 1	

TOLERANCE CHART																
DIMENSION RANGE	0	.039	.118	.236	.394	.591	.866	1.181	1.575	2.087	2.756	3.543	4.724	6.299	7.874	9.843
	.039	.118	.236	.394	.591	.866	1.181	1.575	2.087	2.756	3.543	4.724	6.299	7.874	9.843	12.402
TOOL DEPENDENT	±.007	±.007	±.008	±.008	±.009	±.010	±.011	±.012	±.013	±.015	±.017	±.020	±.024	±.028	±.035	.043
NON-TOOL DEPENDENT	±.003	±.004	±.004	±.004	±.005	±.006	±.007	±.008	±.009	±.011	±.013	±.016	±.020	±.024	±.031	.039

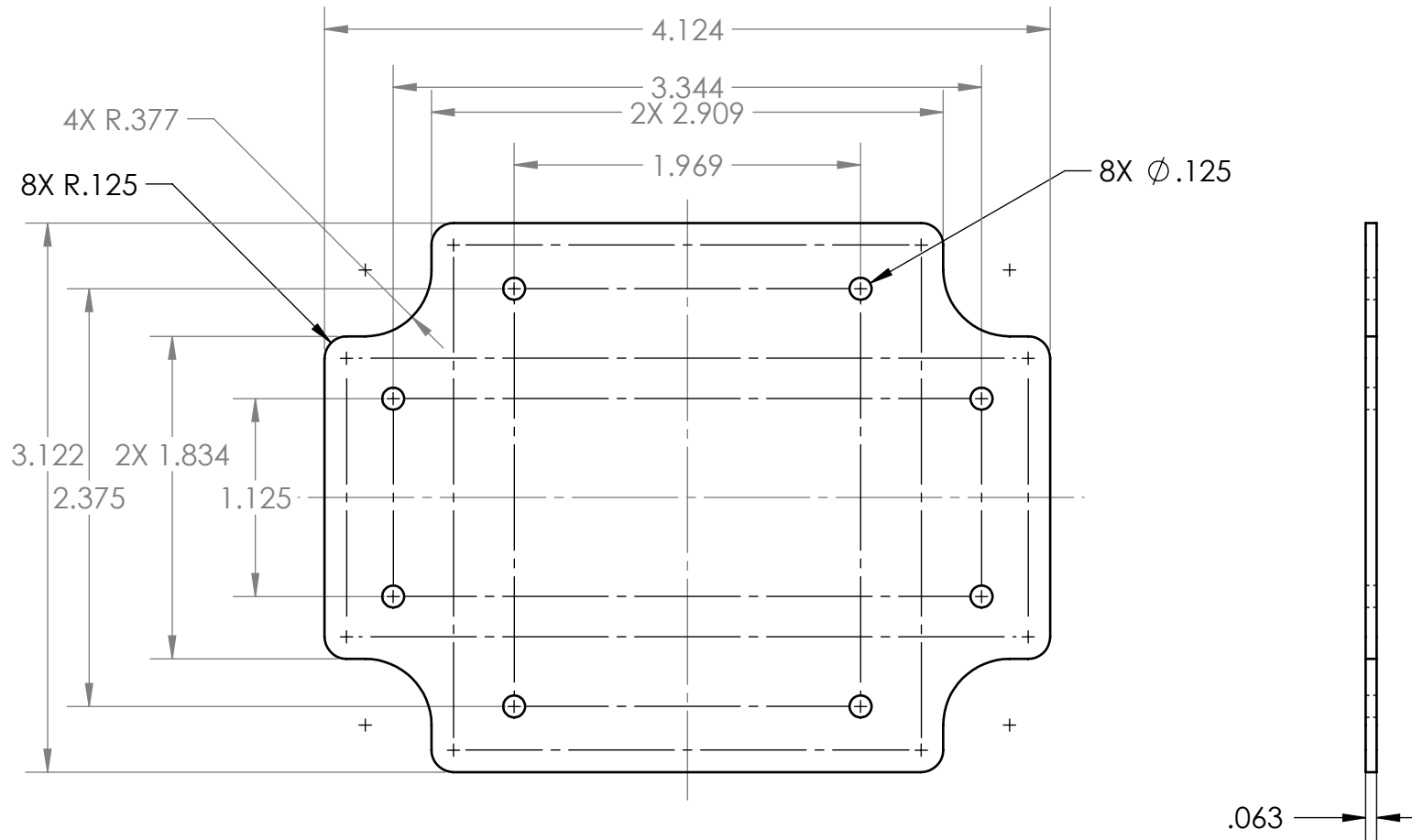


PART NUMBER: ML-34C*08
 MATERIAL: PC
 MATERIAL SPEC: /PC/XXX/CL
 COLOR: CLEAR
 FLAME RATING: UL94V-0



PART NUMBER: ML-34C*15
 MATERIAL: PC
 MATERIAL SPEC: /PC/XXX/GY
 COLOR: LIGHT GRAY (RAL 7035)
 FLAME RATING: UL94V-0

UNLESS OTHERWISE SPECIFIED: DIMENSIONS ARE IN: INCHES[mm] TOLERANCES: ANGULAR: ±.5° TWO PLACE DECIMAL: ± THREE PLACE DECIMAL: ± PRINTED GRAPHICS: ±.010	PART NO. AS NOTED		 <small>1305 CHESTER RD. PARKWAY AVON, OHIO 44011-1083 U.S.A. PH: 1-800-248-1233 440-934-0444 FAX: 440-934-0088</small>
	MATERIAL AS NOTED		
	FLAME RATING AS NOTED		
	SIZE C		
PROPRIETARY AND CONFIDENTIAL THE INFORMATION CONTAINED IN THIS DRAWING IS THE SOLE PROPERTY OF POLYCASE. ANY REPRODUCTION IN PART OR AS A WHOLE WITHOUT THE WRITTEN PERMISSION OF POLYCASE IS PROHIBITED. CAD FILE: ML-34C	NAME D.M.F.	DATE 10/1/2013	COVER REV -
DRAWN CHECKED	B.M.B.	10/15/2013	
SCALE: 1:1			SHEET 1 OF 1



NOTES:
1. INCLUDES.031 CLEARANCE FROM INTERIOR.

UNLESS OTHERWISE SPECIFIED:
DIMENSIONS ARE IN: INCHES[mm]
TOLERANCES: ANGULAR: $\pm 2^\circ$
TWO PLACE DECIMAL: $\pm .010$
THREE PLACE DECIMAL: $\pm .005$
PRINTED GRAPHICS: $\pm .010$

PROPRIETARY AND CONFIDENTIAL
THE INFORMATION CONTAINED IN THIS
DRAWING IS THE SOLE PROPERTY OF
POLYCASE. ANY REPRODUCTION IN PART
OR AS A WHOLE WITHOUT THE WRITTEN
PERMISSION OF POLYCASE IS PROHIBITED.
CAD FILE: ML-34BF-PCB

PART NO.
ML-34BF-PCB
MATERIAL

FLAME RATING

SIZE
A

polycase
1305 CHESTER IND. PARKWAY AVON, OHIO 44011-1083 U.S.A.
PH: 1-800-248-1233, 440-934-0444 FAX: 440-934-0088

PCB TEMPLATE FOR ML-
34BF*15 (NOT SUPPLIED)

REV
-

REV.	DESCRIPTION	ZONE	BY	APPR'D	DATE
	REVISIONS				

	NAME	DATE
DRAWN	D.M.F.	10/2/2013
CHECKED	-	12/14/2011

SCALE: 1:1



SHEET 1 OF 1

5

4

3

2

1

D

C

B

A