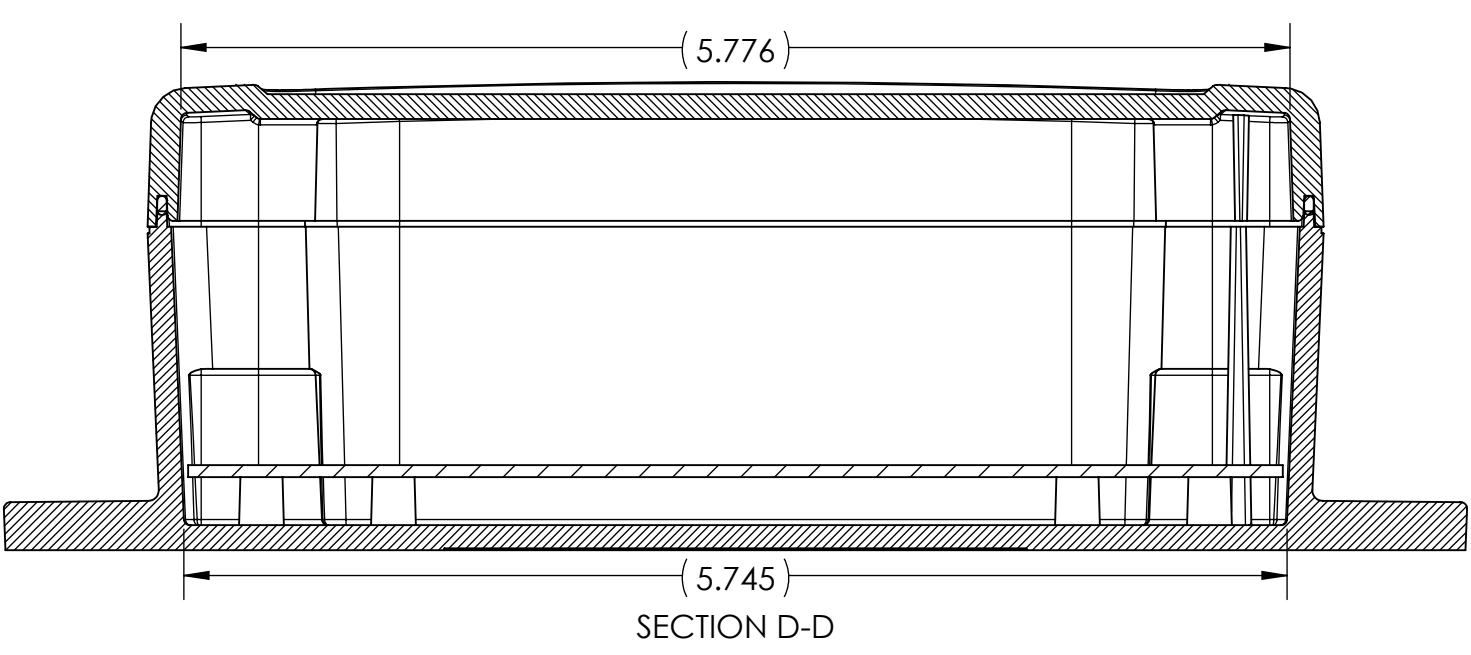
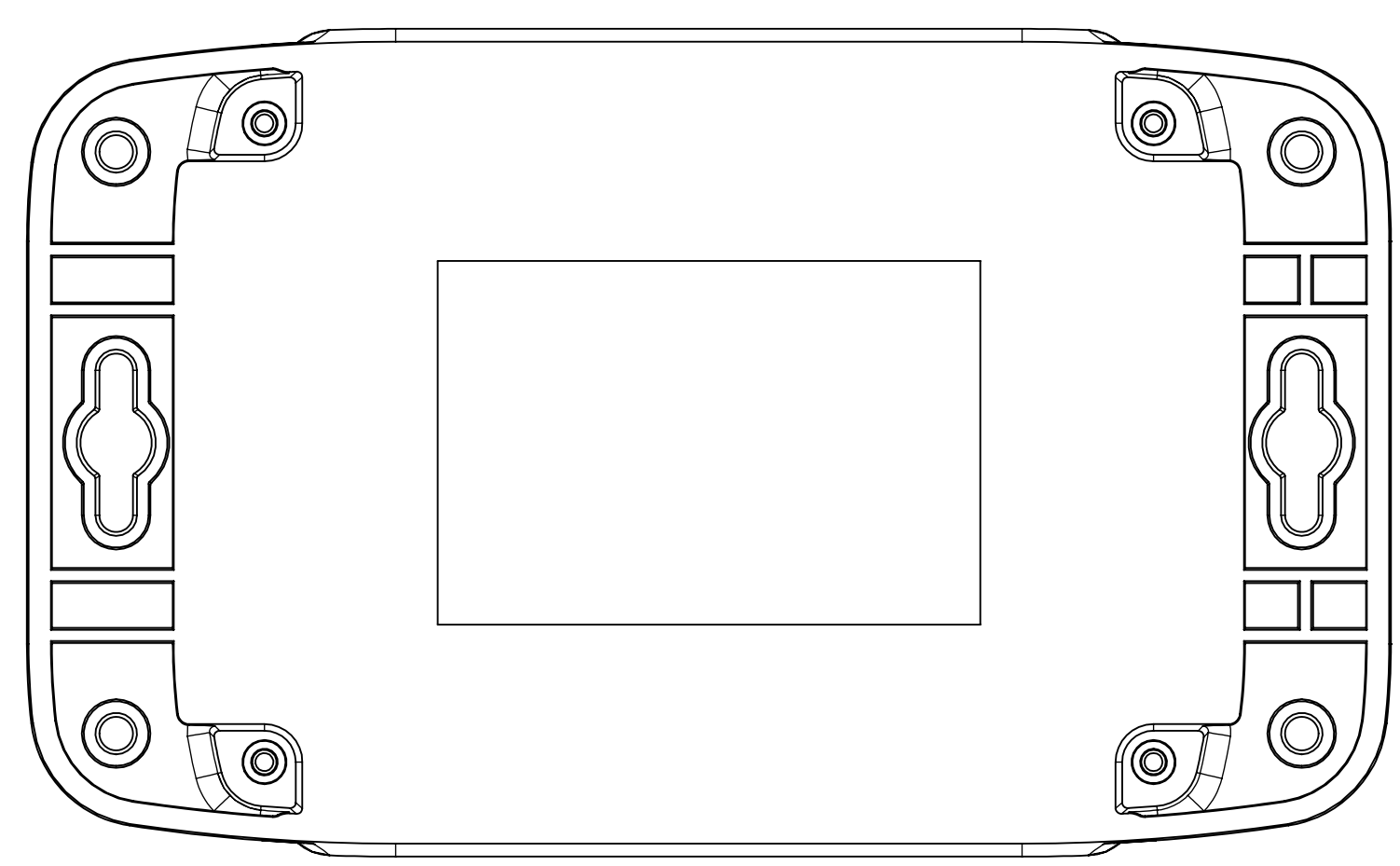
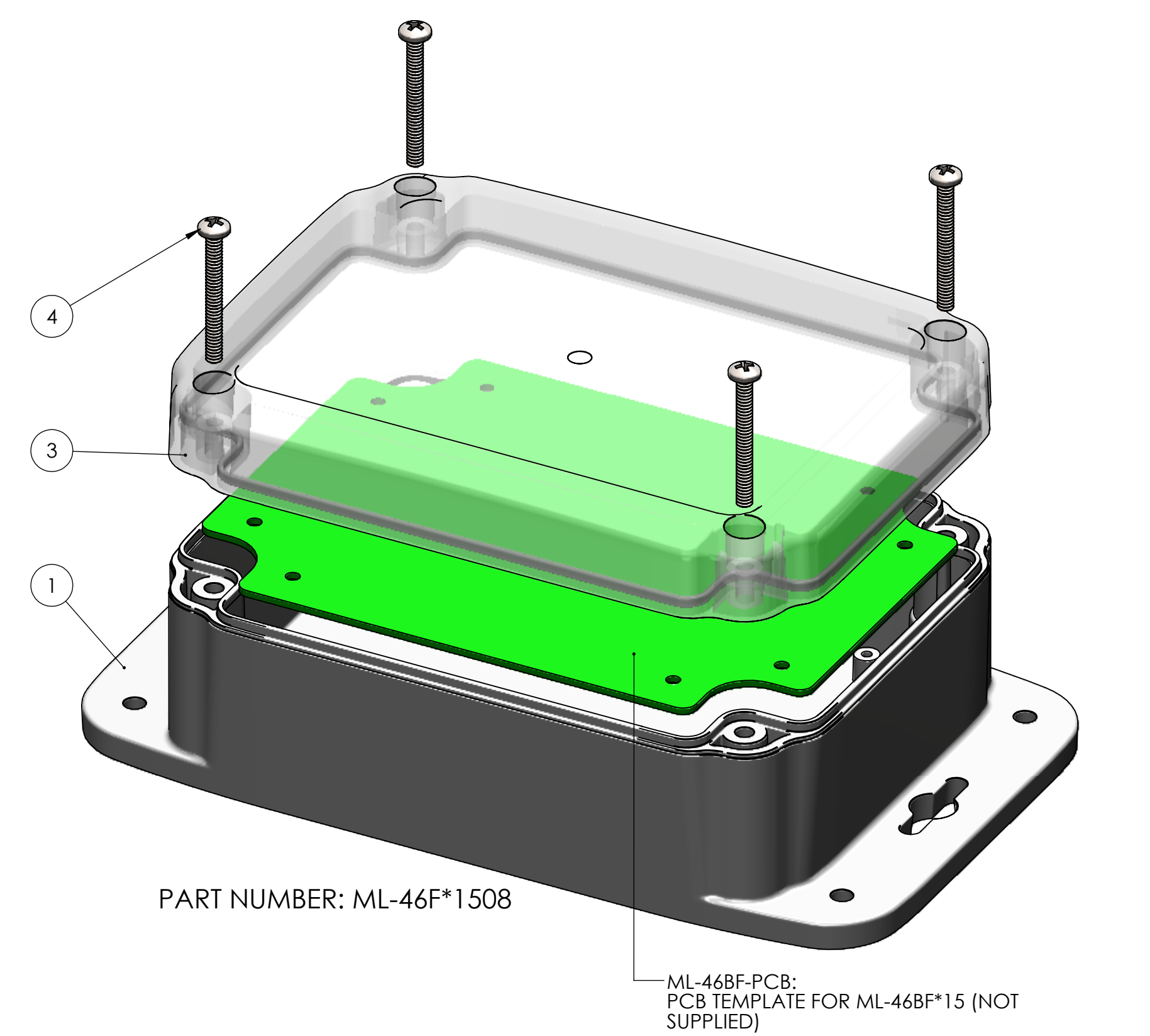
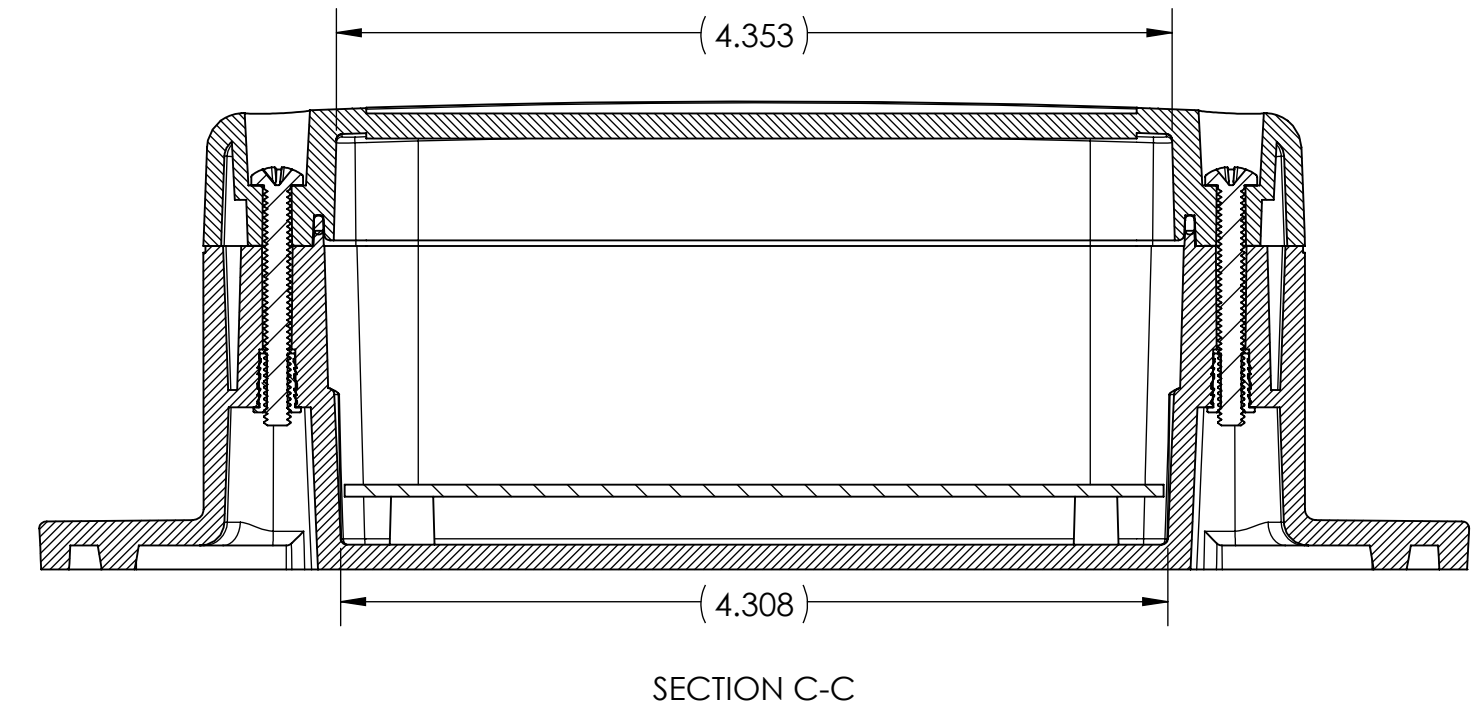
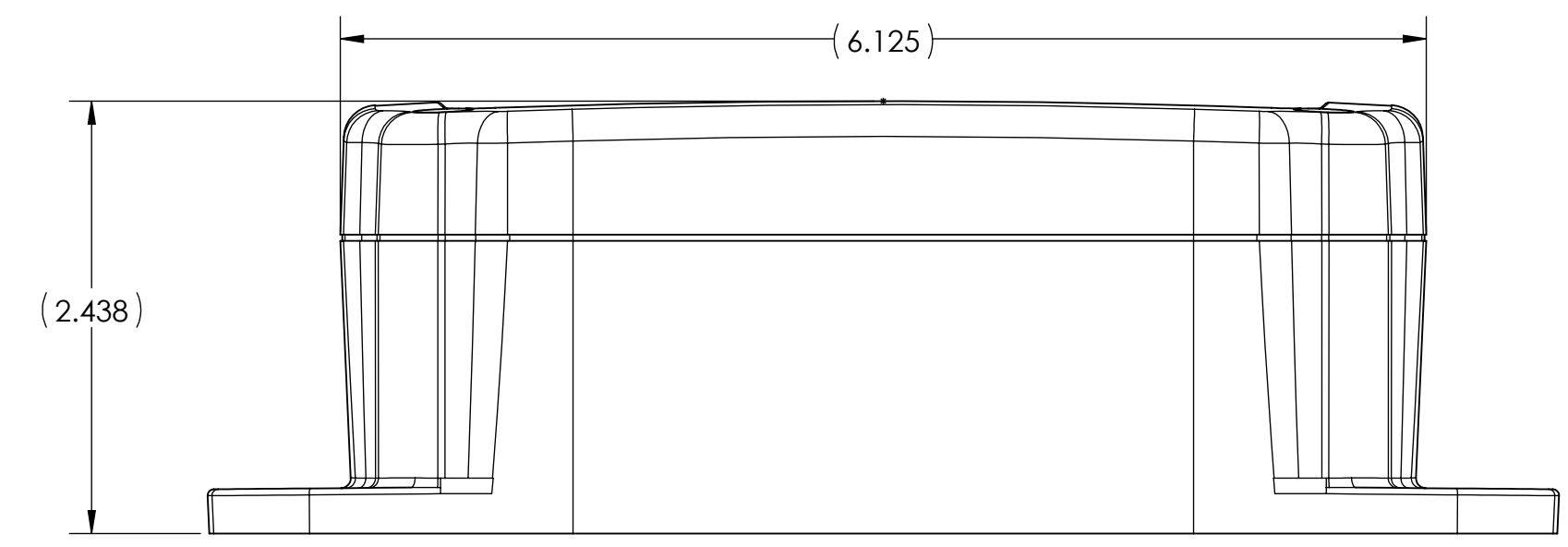
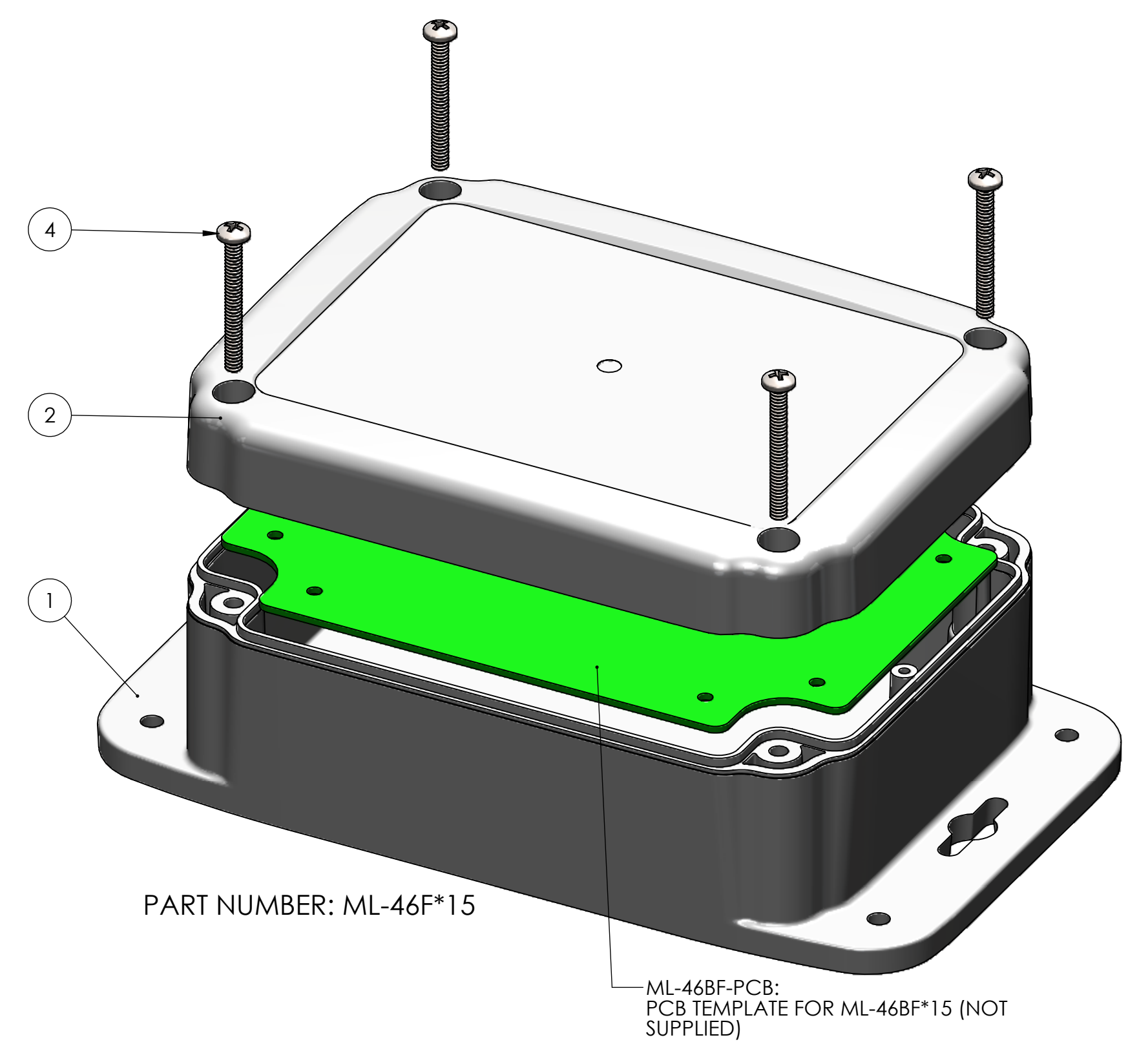
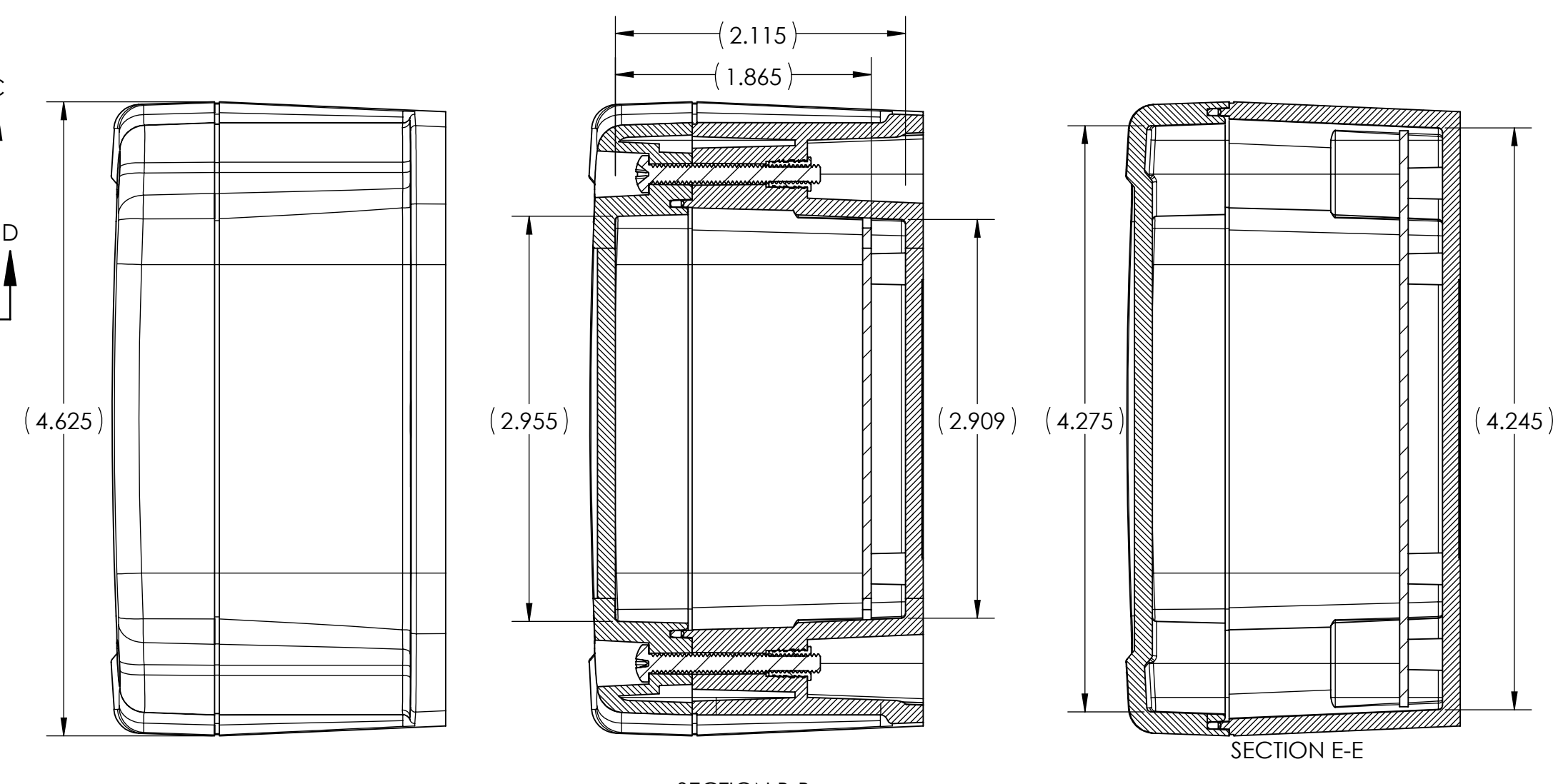
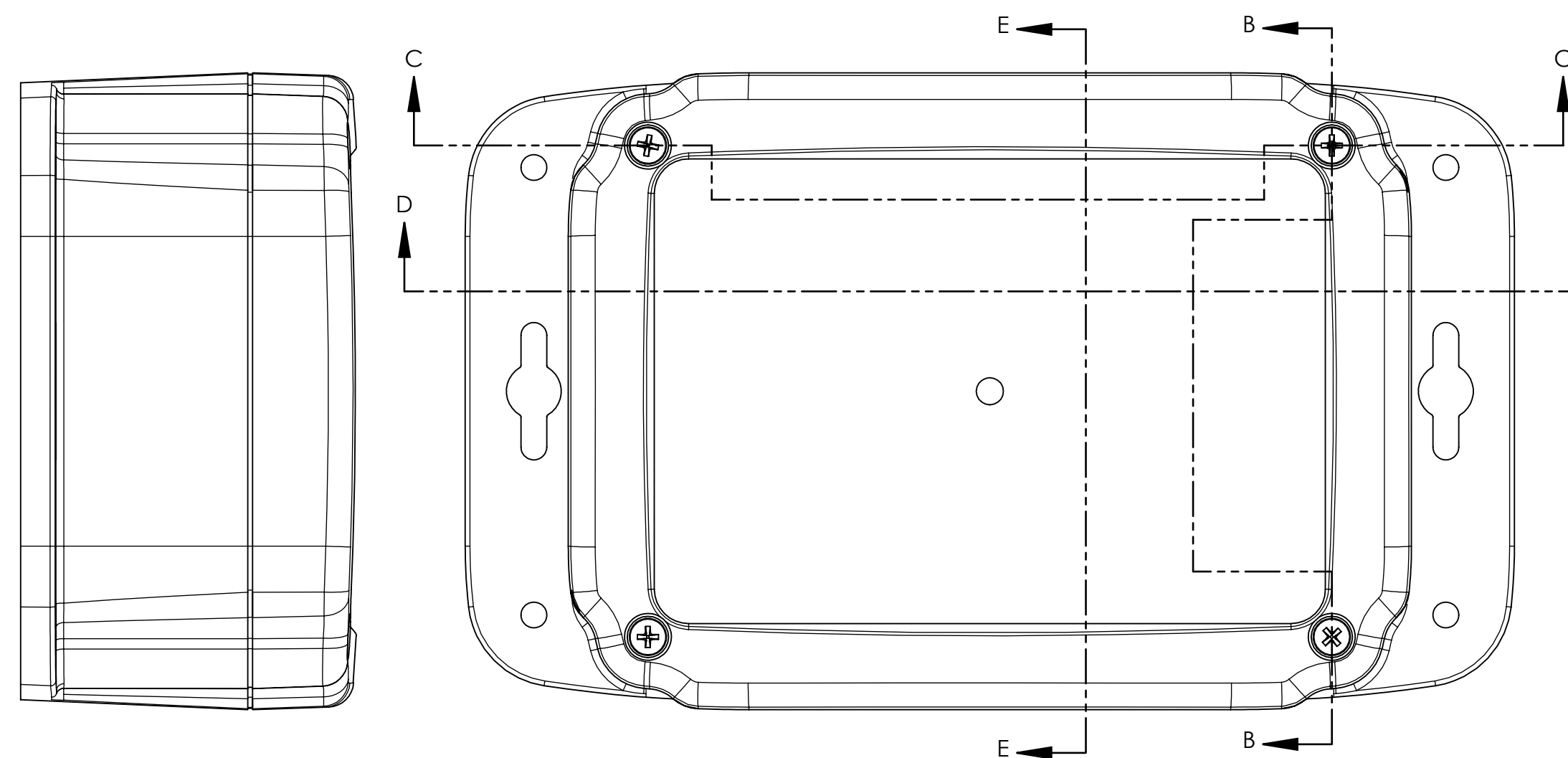
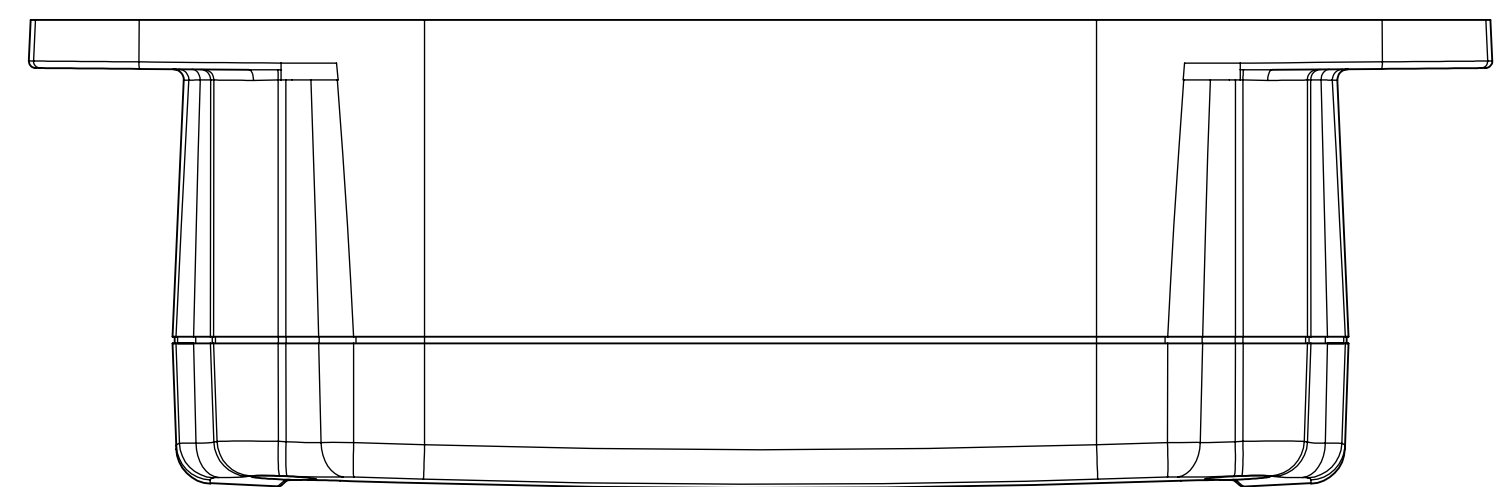
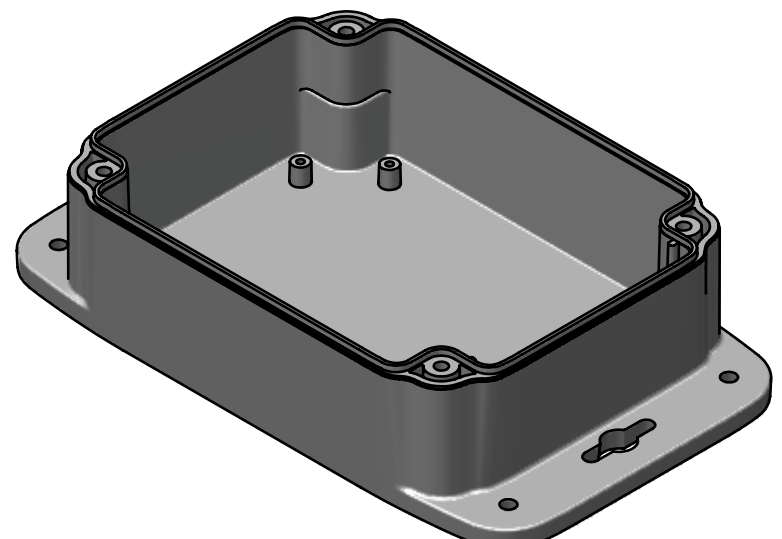
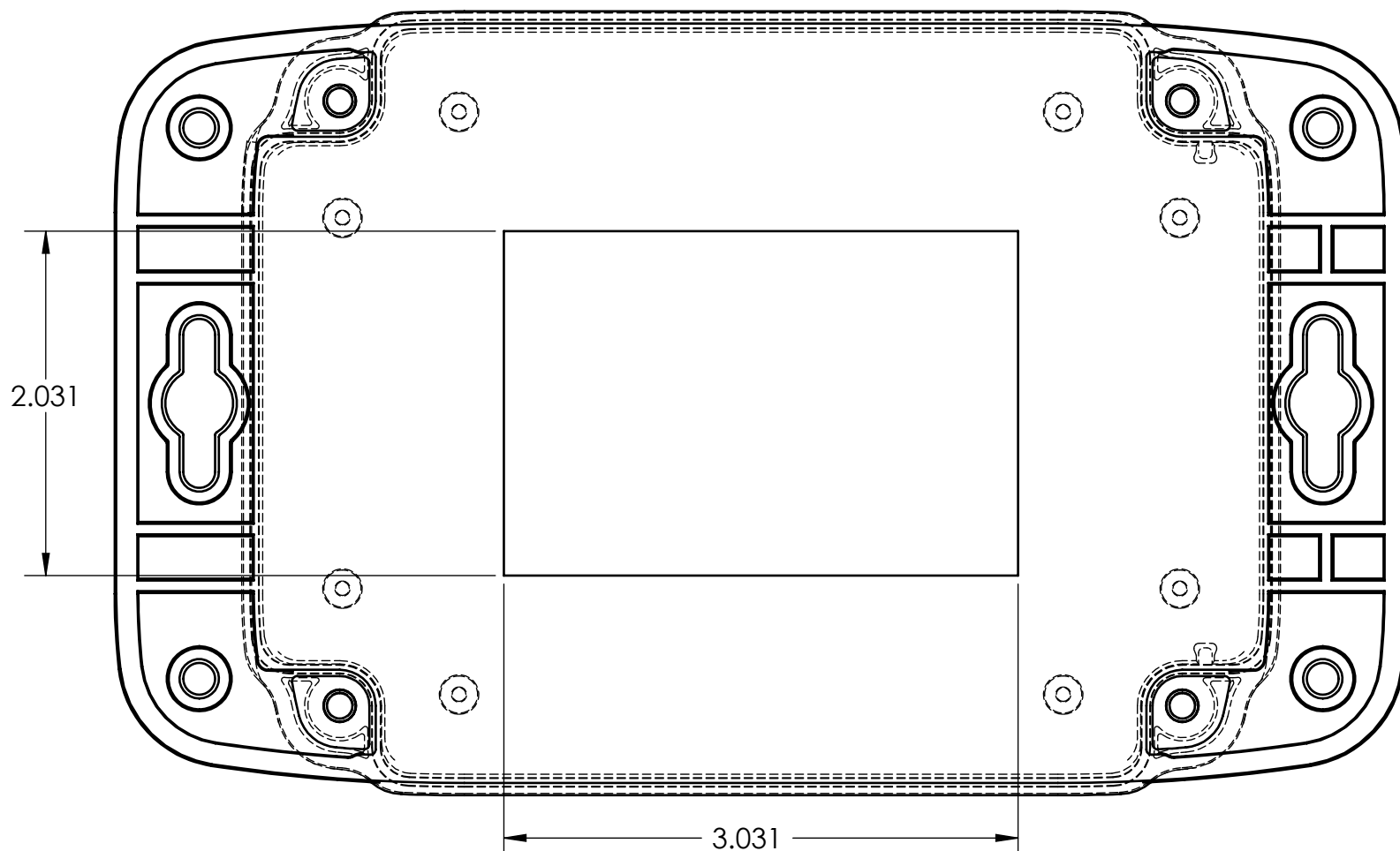
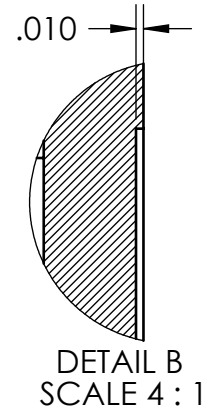
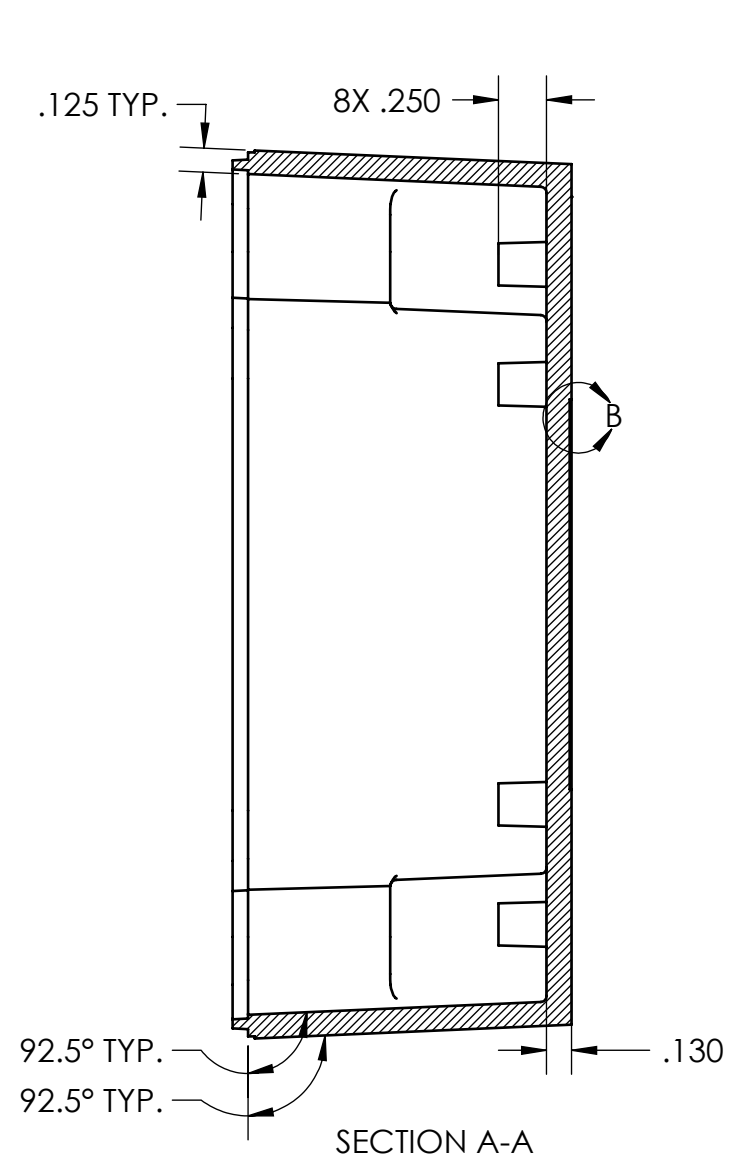
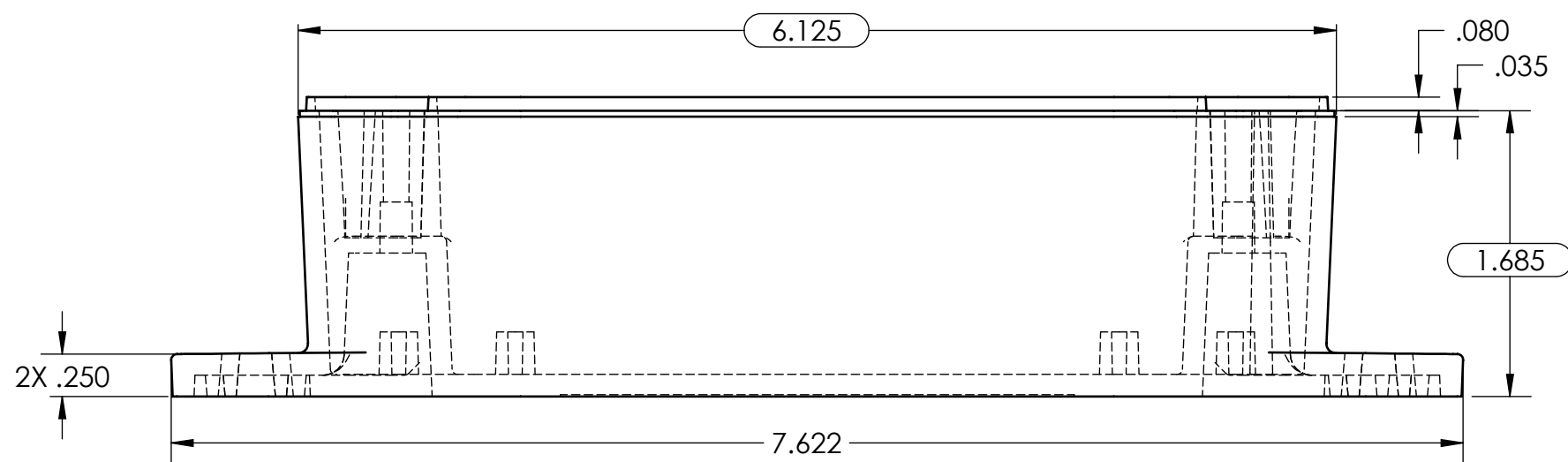
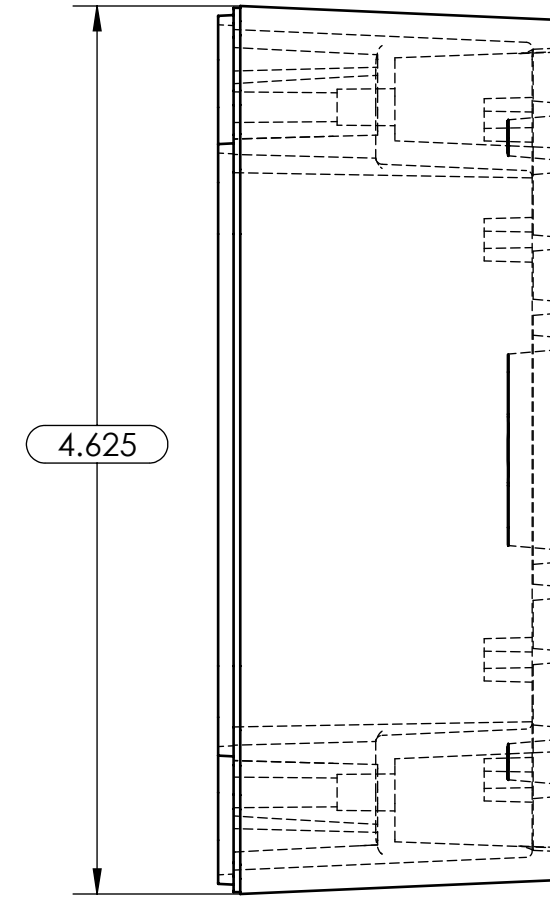
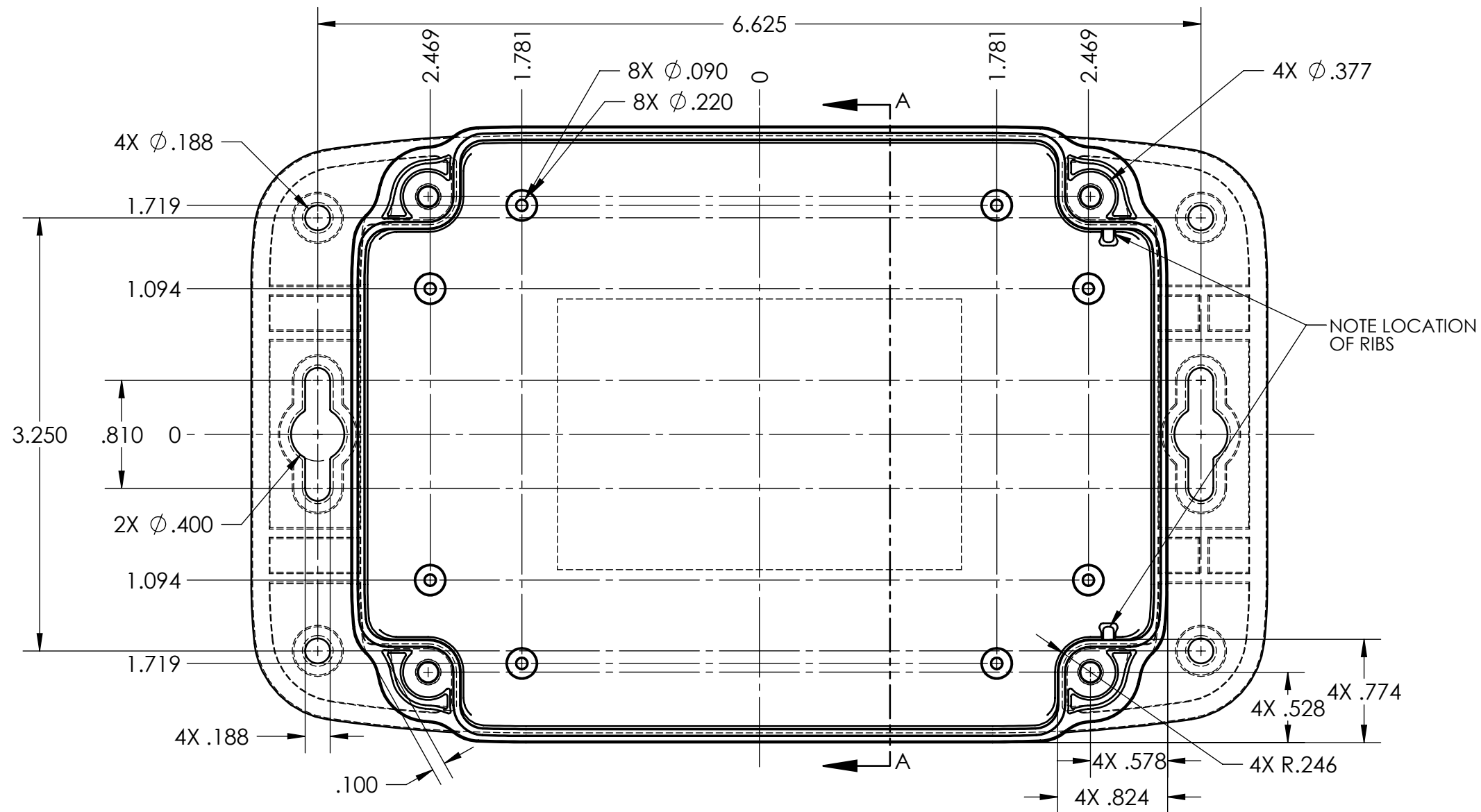
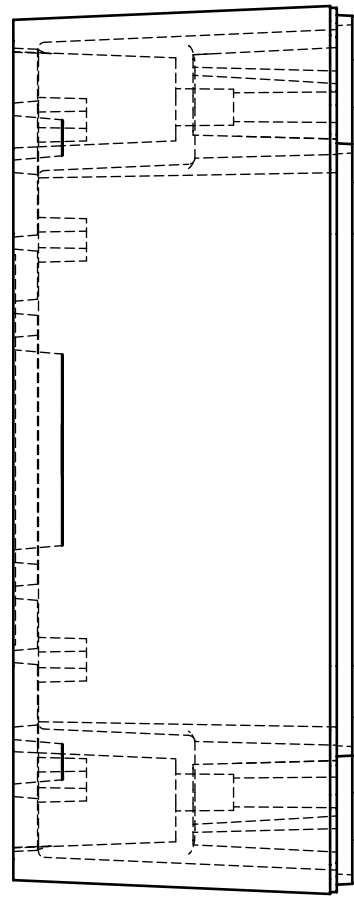


BOM Table				ML-46F*15/QTY.	ML-46F*1508/QTY.
1	ML-46BF*15	-	BASE W/BRASS INSERTS	1	1
2	ML-46CG*15	-	COVER WITH GASKET	1	-
3	ML-46CG*08	-	COVER WITH GASKET	-	-
4	SCREWS-SS6-4	-	4-PACK; 6-32 X 1.25 PHMS	1	1



UNLESS OTHERWISE SPECIFIED: DIMENSIONS ARE IN INCHES (MM) TOLERANCES: ANGULAR: 22° TWO PLACE DECIMAL: ±.010 THREE PLACE DECIMAL: ±.005 PRINTED GRAPHICS: 1:500	PROPERTY AND CONFIDENTIAL THE INFORMATION CONTAINED IN THIS DRAWING IS THE SOLE PROPERTY OF POLYCASE. ANY REPRODUCTION IN PART OR AS A WHOLE WITHOUT THE WRITTEN PERMISSION OF POLYCASE IS PROHIBITED. CAD FILE: ML-46F	PART NO. SEE BOM	MATERIAL SEE BOM	FLAME RATING SEE BOM	SIZE D	SCALE: 1:1	SHEET 1 OF 1
		NAME D.M.F.	DATE 11/26/2012	CHECKED B.M.B.	2/5/2013		





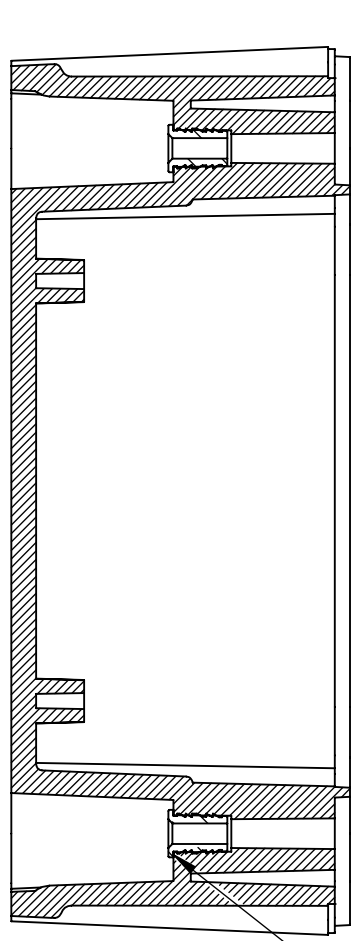
- NOTES:
- COLOR: LIGHT GRAY (RAL 7035)
 - MATERIAL SPEC: /PC/XXX/GY
 - REFER TO SOLID MODEL FOR COMPLETE PART DEFINITION.
 - (INSPECTION DIMENSION)
 - EJECTOR PINS TO BE FLUSH \pm .015
 - FLASH .005 MAX
 - MAX REGRIND: 20%
 - GATE MUST BE FLUSH $\begin{matrix} +.000 \\ -.015 \end{matrix}$

DIMENSION RANGE	0	.039	.118	.236	.394	.591	.866	1.181	1.575	2.087	2.756	3.543	4.724	6.299	7.874	9.843
TOOL DEPENDENT	\pm .007	\pm .007	\pm .008	\pm .008	\pm .009	\pm .010	\pm .011	\pm .012	\pm .013	\pm .015	\pm .017	\pm .020	\pm .024	\pm .028	\pm .035	.043
NON-TOOL DEPENDENT	\pm .003	\pm .004	\pm .004	\pm .004	\pm .005	\pm .006	\pm .007	\pm .008	\pm .009	\pm .011	\pm .013	\pm .016	\pm .020	\pm .024	\pm .031	.039

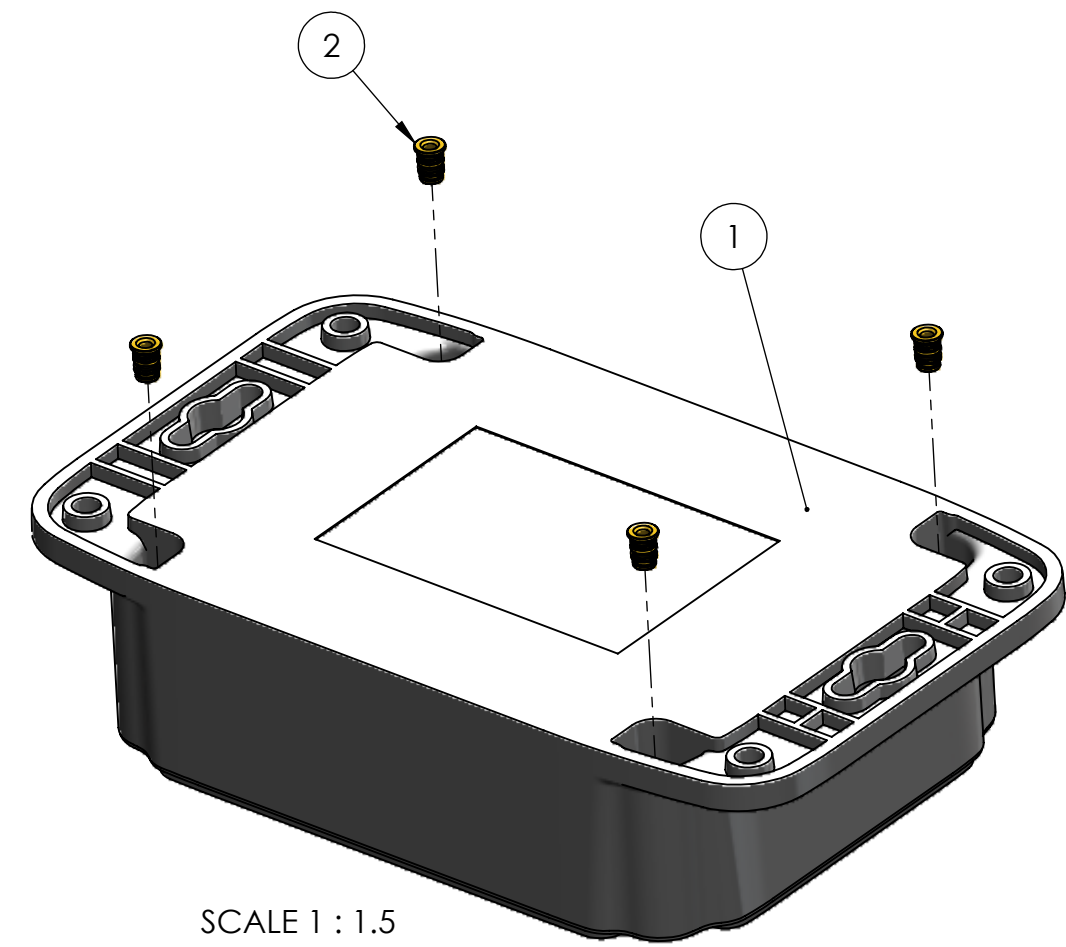
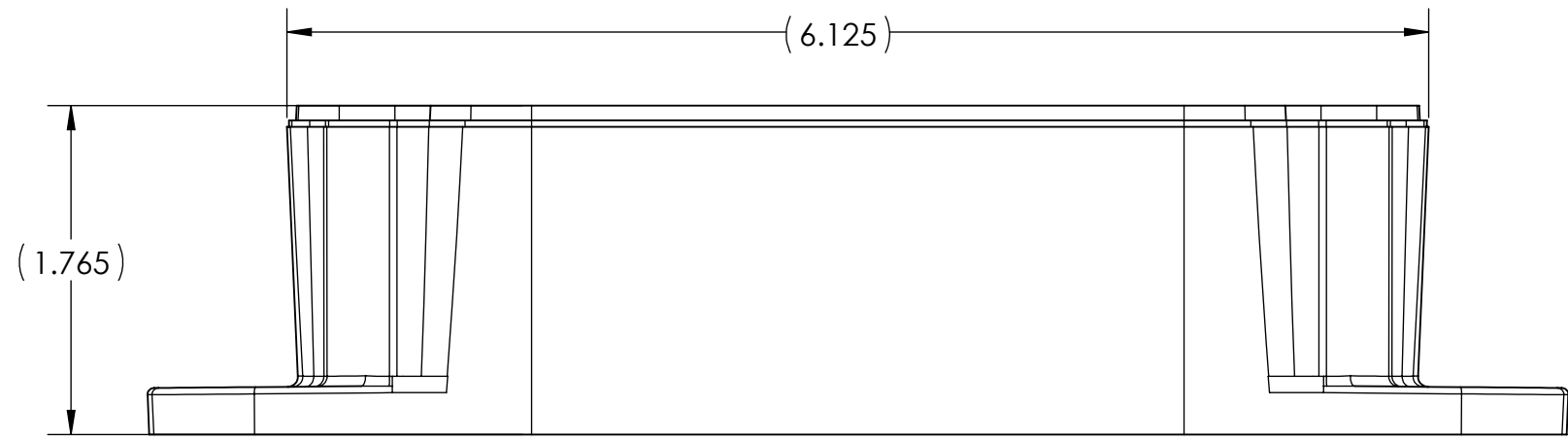
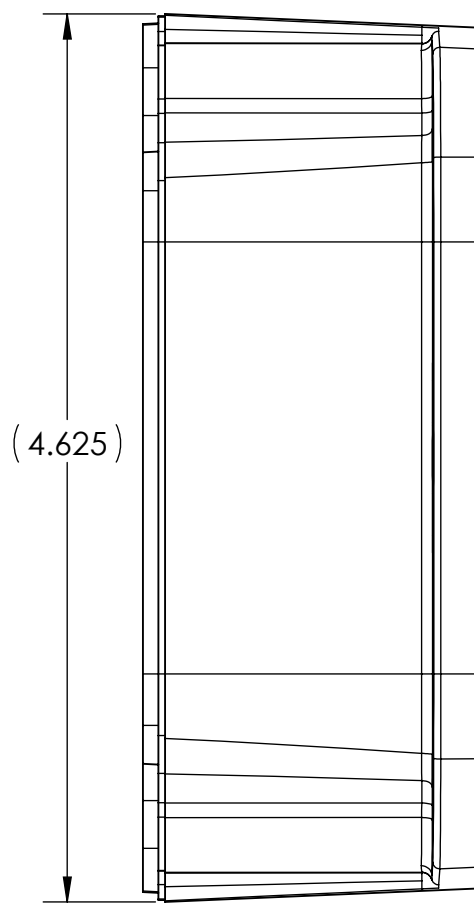
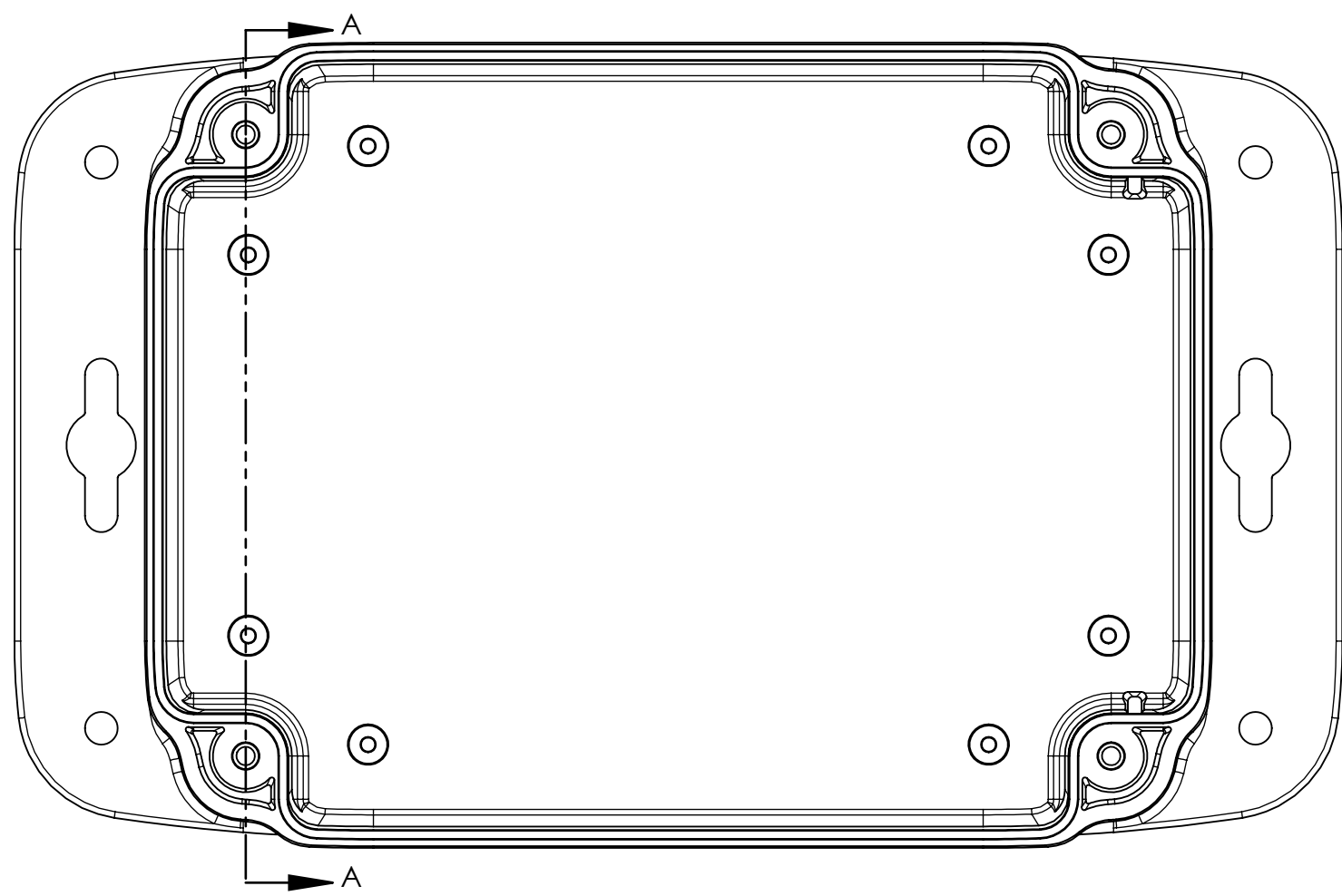
TOLERANCE CHART


UNLESS OTHERWISE SPECIFIED: DIMENSIONS ARE IN: INCHES[mm] TOLERANCES: ANGULAR: \pm 2° TWO PLACE DECIMAL: \pm -.005 THREE PLACE DECIMAL: \pm -.002 PRINTED GRAPHICS: \pm -.002	PART NO. ML-46BFN*15		polycase 1303 CHESTER RD. PARKWAY AVON, OHIO 44011-1083 U.S.A. PH: 1-800-248-1233 440-934-0444 FAX: 440-934-0088
	MATERIAL PC		
PROPRIETARY AND CONFIDENTIAL THE INFORMATION CONTAINED IN THIS DRAWING IS THE SOLE PROPERTY OF POLYCASE. ANY REPRODUCTION IN PART OR AS A WHOLE WITHOUT THE WRITTEN PERMISSION OF POLYCASE IS PROHIBITED. CAD FILE: ML-46BFN	FLAME RATING UL94V-0	NAME D.M.F.	DATE 11/26/2012
	SIZE C	DRAWN CHECKED	DATE 2/4/2013
SCALE: 1:1		BASE W/FLANGES & PCB BOSSES	
SHEET 1 OF 1		REV	

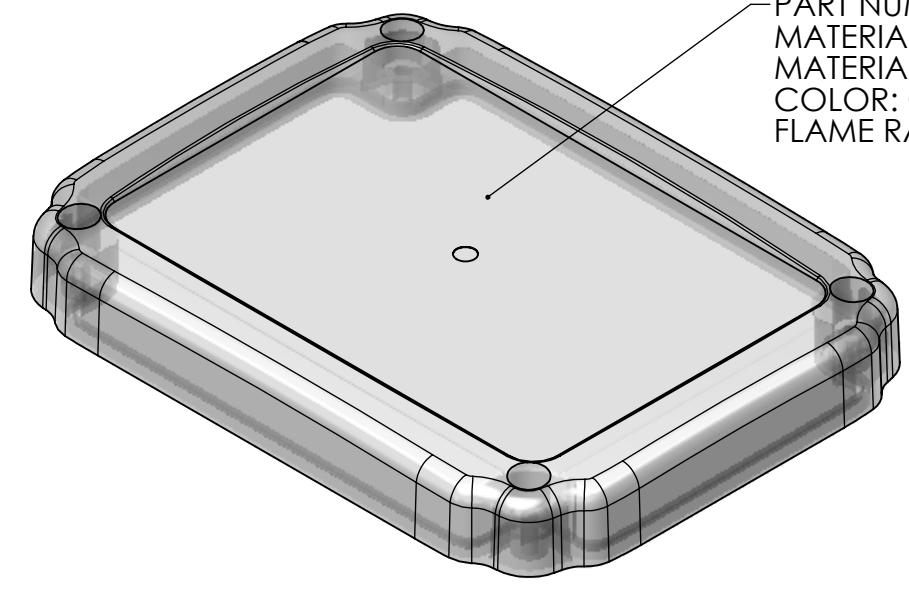
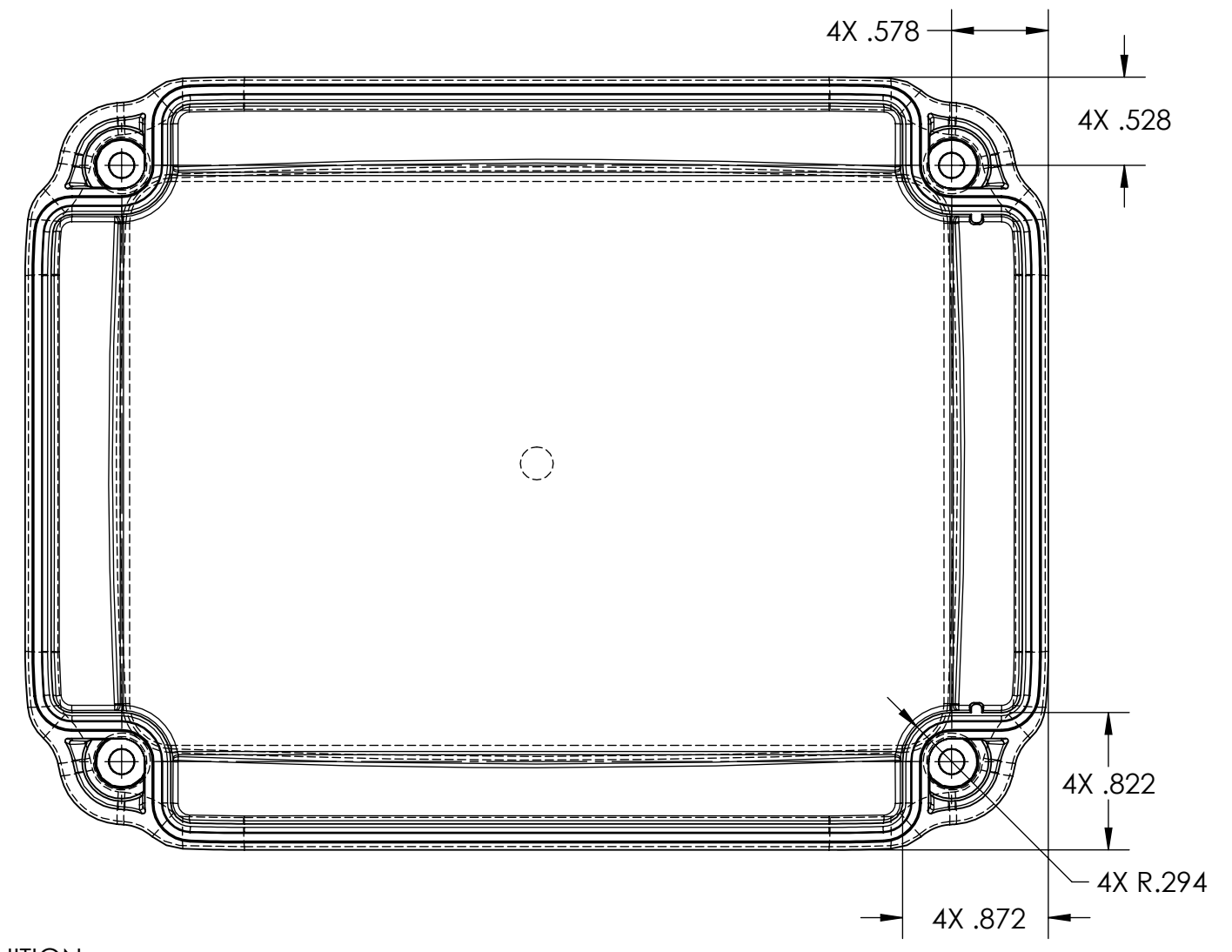
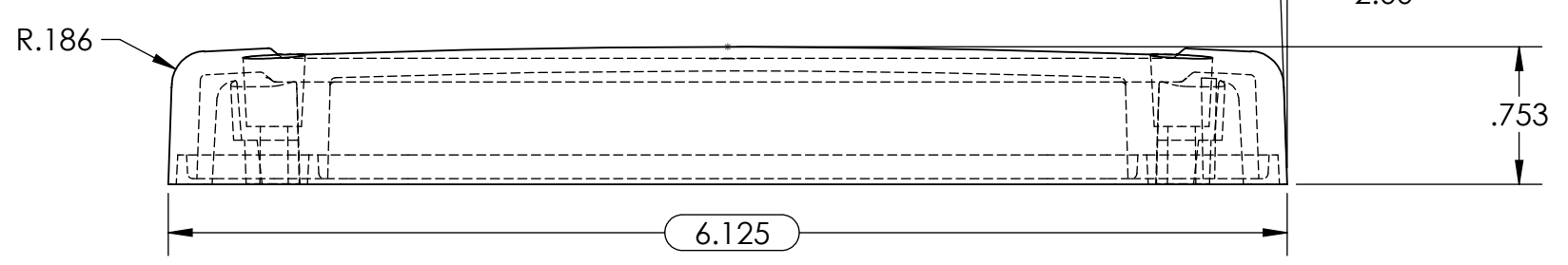
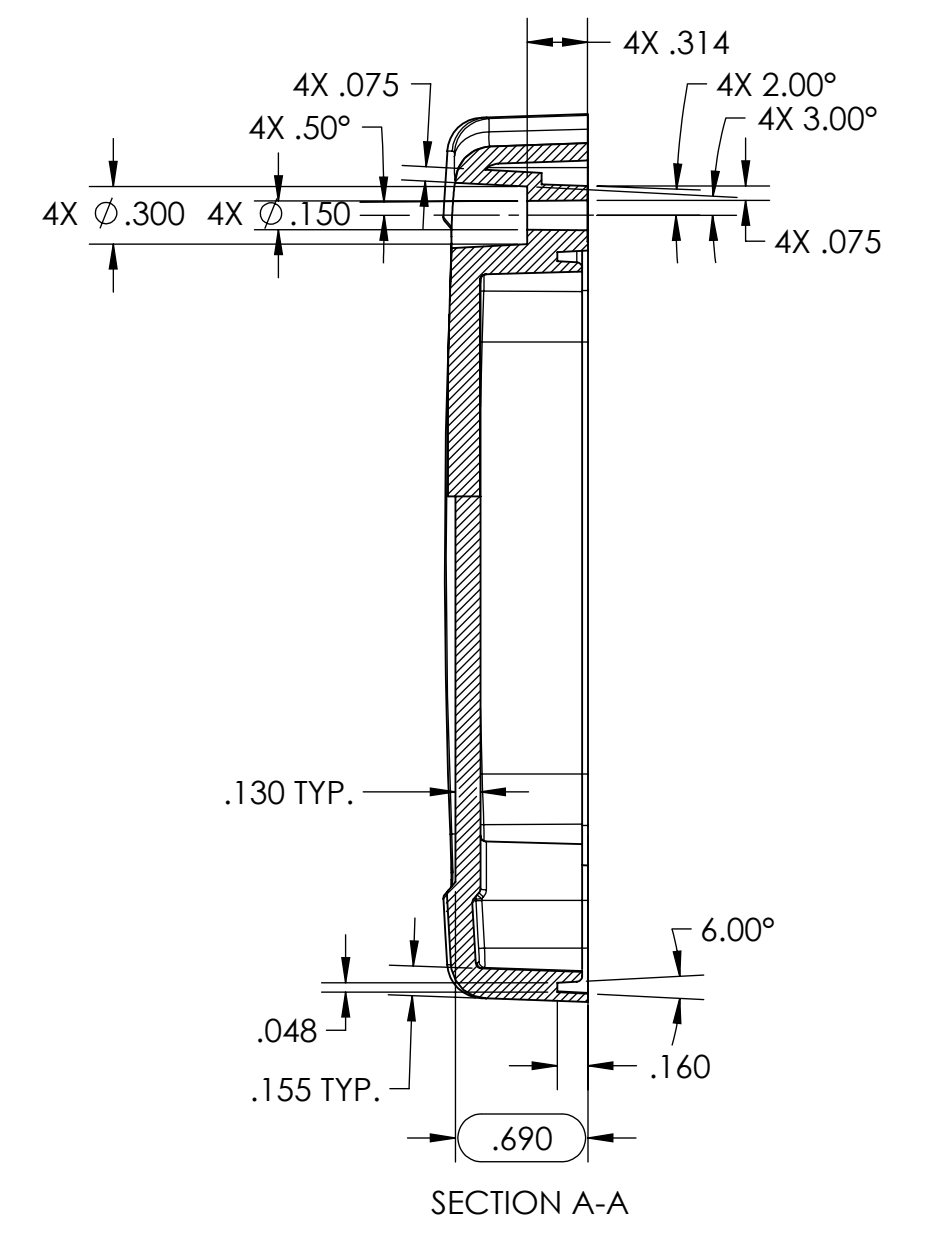
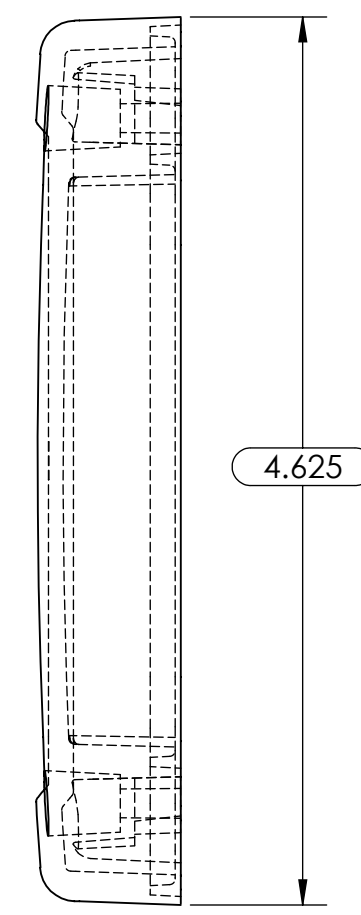
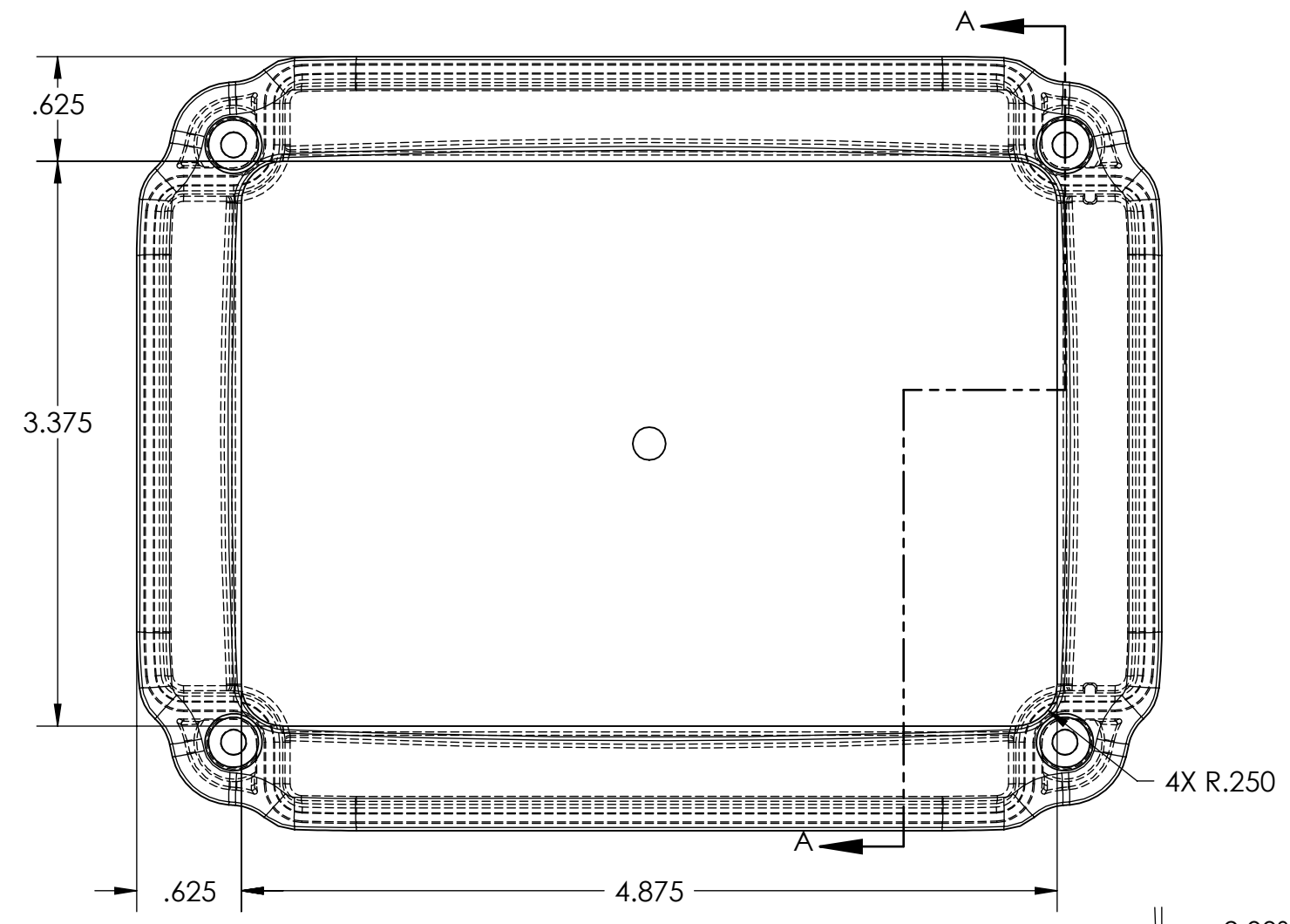
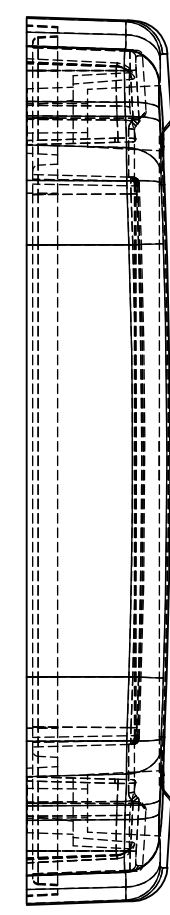
BOM Table							
ITEM NO.	PART NUMBER	Rev.	Description	Material	FlameRating	Color	QTY.
1	ML-46BFN*15	-	BASE W/FLANGES & PCB BOSSES	PC	UL94V-0	LIGHT GRAY (RAL 7035)	1
2	INSERT-3	-	THREADED INSERT #6-32	BRASS			4



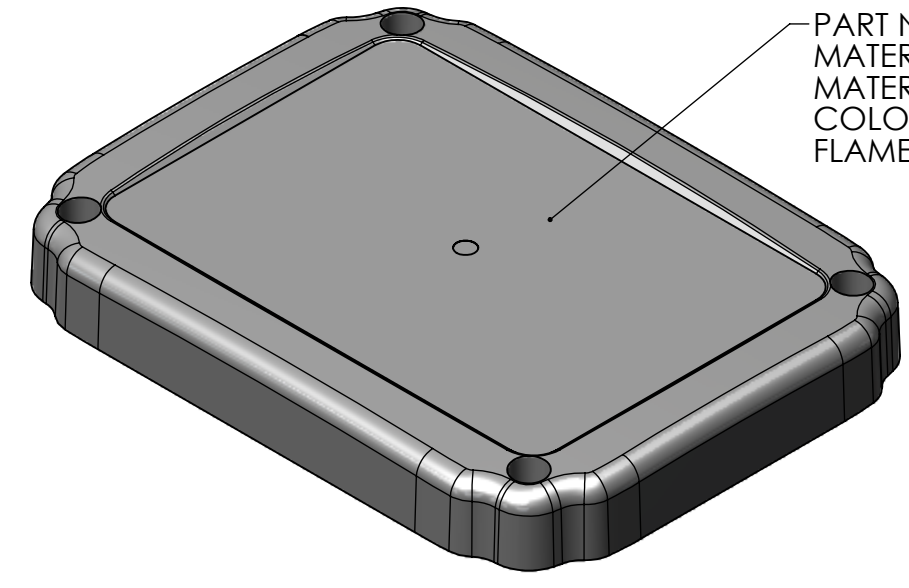
SECTION A-A
INSERTS TO BE FULLY PRESSED AS SHOWN



<small>UNLESS OTHERWISE SPECIFIED: DIMENSIONS ARE IN: INCHES[mm] TOLERANCES: ANGULAR: ±2° TWO PLACE DECIMAL: ±.010 THREE PLACE DECIMAL: ±.005 PRINTED GRAPHICS: ±.010</small>	PART NO. ML-46BF*15		 <small>1305 CHESTER RD. PARKWAY AVON, OHIO 44011-1083 U.S.A. PH: 1-800-248-1233 440-934-0044 FAX: 440-934-0088</small>	REV -
	MATERIAL UL94V-0			BASE W/BRASS INSERTS
	FLAME RATING UL94V-0	SIZE C	SCALE: 1:1	SHEET 1 OF 1
	<small>PROPRIETARY AND CONFIDENTIAL THE INFORMATION CONTAINED IN THIS DRAWING IS THE SOLE PROPERTY OF POLYCASE. ANY REPRODUCTION IN PART OR AS A WHOLE WITHOUT THE WRITTEN PERMISSION OF POLYCASE IS PROHIBITED. CAD FILE: ML-46BF</small>	<small>DRAWN</small> D.M.F. 11/26/2012 <small>CHECKED</small> B.M.B. 2/5/2013	<small>NAME</small> D.M.F. <small>DATE</small> 11/26/2012	<small>REV</small> -



PART NUMBER: ML-46C*08
 MATERIAL: PC
 MATERIAL SPEC: /PC/XXX/CL
 COLOR: CLEAR
 FLAME RATING: UL94V-0



PART NUMBER: ML-46C*15
 MATERIAL: PC
 MATERIAL SPEC: /PC/XXX/GY
 COLOR: LIGHT GRAY (RAL 7035)
 FLAME RATING: UL94V-0

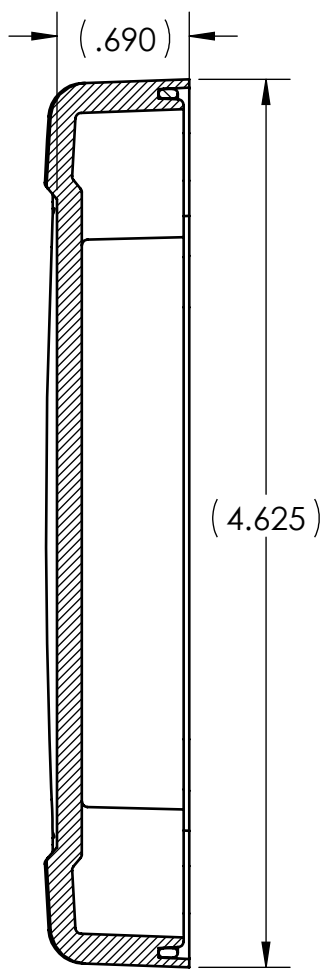
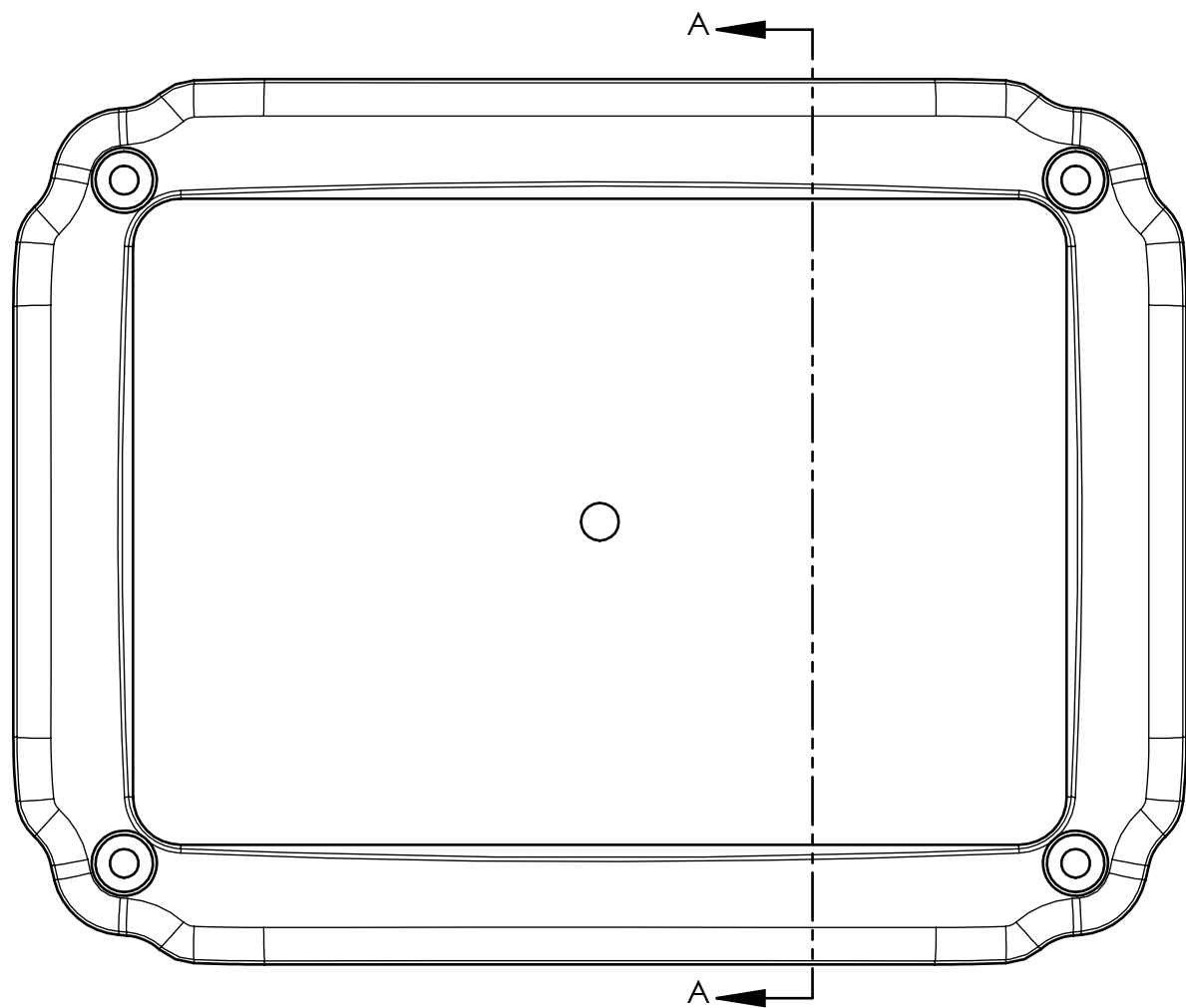
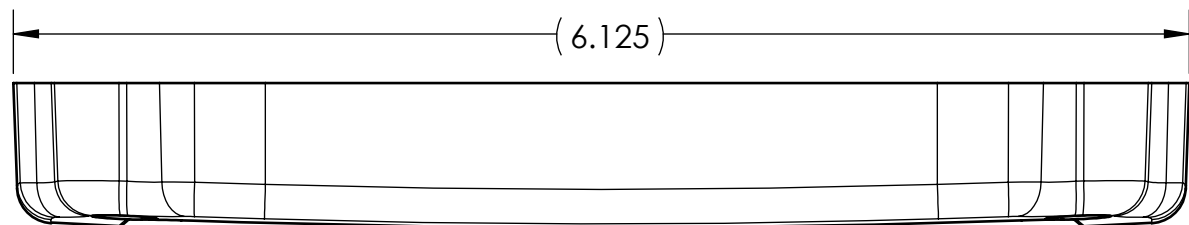
- NOTES:
 1. REFER TO SOLID MODEL FOR COMPLETE PART DEFINITION.
 2. FINISH: DIAMOND POLISH
 3. (INSPECTION DIMENSION)
 4. FLASH CANNOT EXCEED .005
 5. MAX REGRIND: 20%
 6. GATE MUST BE FLUSH $\begin{matrix} +.000 \\ -.015 \end{matrix}$

DIMENSION RANGE	0	.039	.118	.236	.394	.591	.866	1.181	1.575	2.087	2.756	3.543	4.724	6.299	7.874	9.843
	.039	.118	.236	.394	.591	.866	1.181	1.575	2.087	2.756	3.543	4.724	6.299	7.874	9.843	12.402
TOOL DEPENDENT	±.007	±.007	±.008	±.008	±.009	±.010	±.011	±.012	±.013	±.015	±.017	±.020	±.024	±.028	±.035	.043
NON-TOOL DEPENDENT	±.003	±.004	±.004	±.004	±.005	±.006	±.007	±.008	±.009	±.011	±.013	±.016	±.020	±.024	±.031	.039

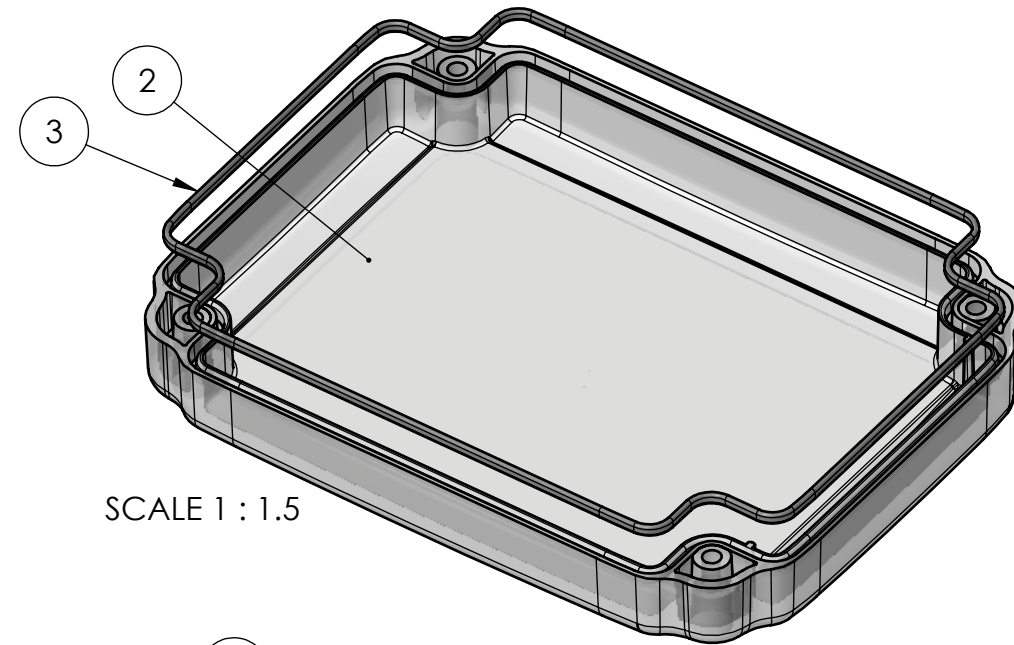
TOLERANCE CHART

UNLESS OTHERWISE SPECIFIED: DIMENSIONS ARE IN: INCHES[mm] TOLERANCES: ANGULAR: ±.5° TWO PLACE DECIMAL: ± THREE PLACE DECIMAL: ± PRINTED GRAPHICS: ±.010		PART NO. AS NOTED		<p>1305 CHESTER RD. PARKWAY AVON, OHIO 44011-1083 U.S.A. PHF 1-800-248-1233 440-934-0444 FAX 440-934-0288</p>	
PROPRIETARY AND CONFIDENTIAL THE INFORMATION CONTAINED IN THIS DRAWING IS THE SOLE PROPERTY OF POLYCASE. ANY REPRODUCTION IN PART OR AS A WHOLE WITHOUT THE WRITTEN PERMISSION OF POLYCASE IS PROHIBITED. CAD FILE: ML-46C		MATERIAL AS NOTED			
FLAME RATING AS NOTED		SIZE C		COVER	REV
DRAWN CHECKED		NAME D.M.F.	DATE 11/26/2012	SCALE: 1:1	SHEET 1 OF 1

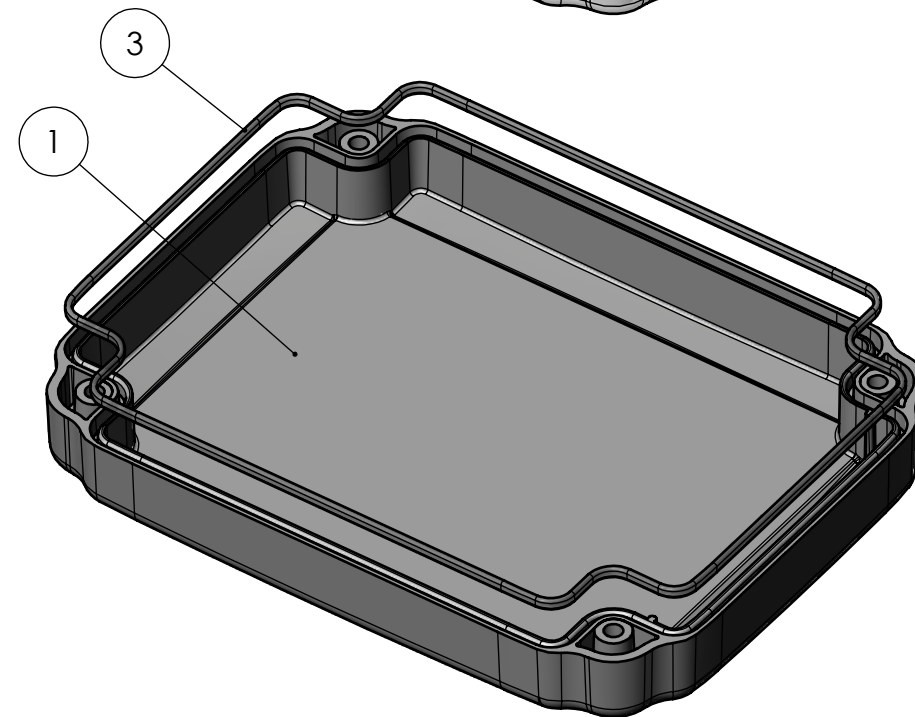
BOM Table								
ITEM NO.	PART NUMBER	Rev.	Description	Material	FlameRating	Color	ML-46CG*15/QTY.	ML-46CG*08/QTY.
1	ML-46C*15	-	COVER	PC	UL94V-0	LIGHT GRAY (RAL 7035)	1	-
2	ML-46C*08	-	COVER	PC	UL94V-0	CLEAR	-	1
3	GASKET-5	-	GASKET	SILICONE		CLEAR	1	1




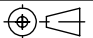
SECTION A-A

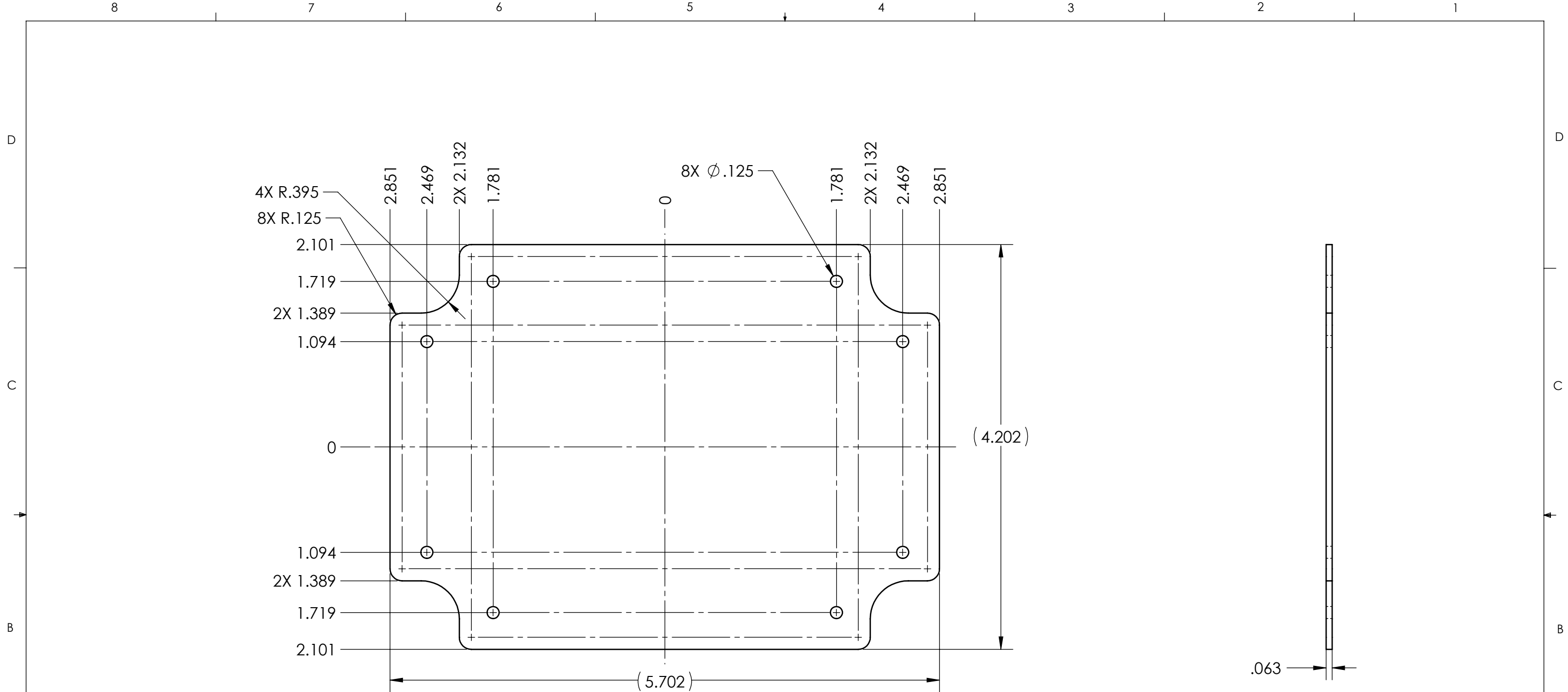


SCALE 1 : 1.5



SCALE 1 : 1.5

UNLESS OTHERWISE SPECIFIED: DIMENSIONS ARE IN: INCHES[mm] TOLERANCES: ANGULAR: ±2° TWO PLACE DECIMAL: ±.010 THREE PLACE DECIMAL: ±.005 PRINTED GRAPHICS: ±.010	PART NO. SEE BOM		 <small>1305 CHESTER IND. PARKWAY AVON, OHIO 44011-1083 U.S.A. PH#: 1-800-248-1233, 440-934-0444 FAX#: 440-934-0088</small>								
	MATERIAL SEE BOM										
	FLAME RATING SEE BOM		SIZE B	COVER WITH GASKET	REV -						
	<small>PROPRIETARY AND CONFIDENTIAL THE INFORMATION CONTAINED IN THIS DRAWING IS THE SOLE PROPERTY OF POLYCASE. ANY REPRODUCTION IN PART OR AS A WHOLE WITHOUT THE WRITTEN PERMISSION OF POLYCASE IS PROHIBITED. CAD FILE: ML-46CG</small>		<table border="1"> <tr> <th>NAME</th> <th>DATE</th> </tr> <tr> <td>D.M.F.</td> <td>11/26/2012</td> </tr> <tr> <td>B.M.B.</td> <td>2/5/2013</td> </tr> </table>	NAME	DATE	D.M.F.	11/26/2012	B.M.B.	2/5/2013	SCALE: 1:1	
NAME	DATE										
D.M.F.	11/26/2012										
B.M.B.	2/5/2013										



NOTES:
 1. INCLUDES .031 CLEARANCE FROM INTERIOR.

UNLESS OTHERWISE SPECIFIED:
 DIMENSIONS ARE IN: INCHES[mm]
 TOLERANCES: ANGULAR: ±2°
 TWO PLACE DECIMAL: ±.010
 THREE PLACE DECIMAL: ±.005
 PRINTED GRAPHICS: ±.010

PROPRIETARY AND CONFIDENTIAL
 THE INFORMATION CONTAINED IN THIS
 DRAWING IS THE SOLE PROPERTY OF
 POLYCASE. ANY REPRODUCTION IN PART
 OR AS A WHOLE WITHOUT THE WRITTEN
 PERMISSION OF POLYCASE IS PROHIBITED.
 CAD FILE: ML-46BF-PCB

PART NO. ML-46BF-PCB		SIZE B	SCALE: 1:1
MATERIAL			
FLAME RATING		REV -	SHEET 1 OF 1
DRAWN	NAME D.M.F.		
CHECKED	DATE 2/4/2013	DATE 6/25/2013	

polycase
 1305 CHESTER IND. PARKWAY AVON, OHIO 44011-1083 U.S.A.
 PH#: 1-800-248-1233, 440-934-0444 FAX#: 440-934-0088

PCB TEMPLATE FOR ML-46BF*15 (NOT SUPPLIED)

REV.	DESCRIPTION	ZONE	BY	APPR'D	DATE
REVISIONS					