

Process Controller with DeviceNet E5EK-DRT

Controller Offers Built-in, High-speed DeviceNet Communications

- Provides independent, distributed process control with flexibility to change settings and report status via DeviceNet.
- DeviceNet is over 40 times faster than RS-485 communications, 23 ms vs. 984 ms per controller (using 3 read, 3 write, and 1 execute instructions as a basis).
- Controller can respond to DeviceNet explicit message requests from programmable controllers without special programming.
- High performance range of 0.1% FS (Pt input: -100.0°C to 100.0°C).
- 3-year warranty.



Ordering Information

■ Process Controller

Stock Note: Shaded models are normally stocked.

| Description | DIN size | Supply voltage | Model |
|---|------------------------|----------------|----------------------------|
| Controller with DeviceNet slave communications and terminal cover | 1/8 DIN, 48 x 96 mm | 100-240 VAC | E5EK-AA2-DRT-500 AC100-240 |
| | | | E5EK-AA2-DRT AC100-240 |
| | | 24 VAC/VDC | E5EK-AA2-DRT-500 AC/DC24 |
| | | | E5EK-AA2-DRT AC/DC24 |

- Note: 1. The heater burnout alarm function can be used only when an ON/OFF output board is used for the control outputs (heat).
 2. Be sure to specify the current transformer and output board when ordering.
 3. Part numbers with -500 available at Omron USA, non -500 numbers available in Omron Canada only. Models with -500 have a terminal cover for finger protection.

■ Optional Output Boards

Stock Note: Shaded models are normally stocked.

| Description | Specifications | Max. quantity | Model |
|-------------------------|--------------------|---------------|----------------|
| Relay | SPST, 5 A, 250 VAC | 2 | E53-R |
| SSR (solid state relay) | 1 A, 75-250 VAC | 2 | E53-S |
| Voltage pulse | NPN, 12 VDC | 2 | E53-Q |
| | NPN, 24 VDC | 2 | E53-Q3 |
| | PNP, 24 VDC | 2 | E53-Q4 |
| Linear current | 4 to 20 mA | 2 | E53-C3 |
| | 0 to 20 mA | 2 | E53-C3D |
| Linear voltage | 0 to 10 VDC | 2 | E53-V34 |
| | 0 to 5 VDC | 2 | E53-V35 |

Note: If the control period is less than 5 seconds, use an SSR (solid state relay) or pulse voltage output.

■ Accessories (Order Separately)

Stock Note: Shaded models are normally stocked.

| Description | Specifications | Model |
|--|---|--------------|
| Current transformer; order only if using heater burnout alarm function | 50 A load, 5.8 mm hole dia. | E54-CT1 |
| | 120 A load, 12 mm hole dia. | E54-CT3 |
| Terminal cover (supplied) | Provides finger protection from terminals (VDE0106 part 100) | E53-COV08 |
| DeviceNet T-branch tap | One-branch line, with three M12 connectors | DCN2-1 |
| DeviceNet shielded connector cordsets | 0.5 m (1.64 ft) with one female M12 connector and bare wires | DCA1-5CNC5F1 |
| | 1 m (3.28 ft) with one female M12 connector and bare wires | DCA1-5CN01F1 |
| | 0.5 m (1.64 ft) with one male M12 connector and bare wires | DCA1-5CNC5H1 |
| | 1 m (3.28 ft) with one male M12 connector and bare wires | DCA1-5CN01H1 |
| Terminating resistor | Plug model for M12 female connector, shielded; resistor rated 121 Ω | DRS2-1 |
| | Socket model for M12 male connector, shielded resistor rated 121 Ω | DRS2-2 |
| | Terminal block for bare wires; resistor rated 121 Ω | DRS1-T |

Note: Refer to *CompoBus/D Operation Manual (W267)* and *DeviceNet Catalog (P10FAX1)* for details such as ratings and characteristics.

Specifications

■ Ratings

| | | |
|----------------------------------|----------------------|---|
| Supply voltage | | 100 to 240 VAC, 50/60 Hz, 24 VAC/DC |
| Operating voltage range | | 85% to 110% of rated supply voltage |
| Power consumption | | 15 VA (100 to 240 VAC), 12 VA (24 VAC), 8 W (24 VDC) |
| Input | | Thermocouple: K, J, T, E, L, U, N, R, S, B, W, PLII Platinum resistance thermometer: JPt100, Pt100 Current input: 4 to 20 mA, 0 to 20 mA (input impedance: 150 Ω) Voltage input: 1 to 5 V, 0 to 5 V, 0 to 10 V (input impedance: 1 MΩ) |
| Input impedance | Current input | 150 Ω |
| | Voltage input | 1 MΩ min. |
| Auxiliary output | | SPST-NO, 3 A at 250 VAC (resistive load) |
| Control method | | ON/OFF or advanced PID control (with auto-tuning) |
| Setting method | | Digital setting using front panel keys |
| Indication method | | 7-segment digital display and LEDs (character height: PV: 14 mm, SV: 9.5 mm) |
| Control output | | According to output board (see <i>Output Board Ratings and Characteristics</i>) Install up to two output boards (sold separately). |
| Remote SP input | | Current input: 4 to 20 mA (input impedance: 150 Ω) |
| Current transformer input | | Connect an exclusive current transformer (E54-CT1 or E54-CT3) |
| Additional functions | Standard | Manual output, heating/cooling control, SP limiter, loop burnout alarm, SP ramp, MV limiter, MV change rate limiter, input digital filter, input shift, run/stop, protect functions |
| | Option | Run/Stop selection, etc. |

- Note: 1. To conform to EN50081-2 (FCC Class A) for ratings of noise terminal voltages, attach a noise filter (TDK ZCB2206-11 or equivalent) to the AC power supply line.
2. Fuzzy self-tuning is not provided with the E5EK-DRT.

Characteristics

| | | |
|-------------------------------------|--------------------------|--|
| Indication accuracy | | Thermocouple (See Note 1): ±0.3% of indication value or ±1°C, whichever greater, ±1 digit max. Platinum resistance thermometer (See Note 2): ±0.2% of indication value or ±0.8°C, whichever greater, ±1 digit max. Analog input: ±0.2% FS ±1 digit max. |
| Hysteresis | | 0.01% to 99.99% FS (in units of 0.01% FS) |
| Proportional band (P) | | 0.1% to 999.9% FS (in units of 0.1% FS) |
| Integral (reset) time (I) | | 0 to 3,999 s (in units of 1 s) |
| Derivative (rate) time (D) | | 0 to 3,999 s (in units of 1 s) |
| Control period | | 1 to 99 s (in units of 1 s) |
| Manual reset value | | 0.0% to 100.0% (in units of 0.1%) |
| Alarm setting range | | -1,999 to 9,999 or -199.9 or 999.9 (decimal point position dependent on input type) |
| Sampling period (See Note 3) | Temperature input | 250 ms |
| | Analog input | 100 ms |
| Insulation resistance | | 20 MΩ min. at 500 VDC |
| Dielectric strength | | 2,000 VAC, 50/60 Hz for 1 min between terminals of different polarities |
| Vibration resistance | Malfunction | 10 to 55 Hz, 10 m/s ² (approx. 1G) for 10 min each in X, Y, and Z directions |
| | Destruction | 10 to 55 Hz, 20 m/s ² (approx. 2G) for 2 hrs each in X, Y, and Z directions |
| Shock resistance | Malfunction | 200 m/s ² min. (approx. 20G), 3 times each in 6 directions (100 m/s ² (approx. 10G) applied to the relay) |
| | Destruction | 300 m/s ² min. (approx. 30G), 3 times each in 6 directions |
| Ambient temperature | Operating | -10 to 55°C (14 to 131°F) with no icing/3-year warranty period: -10 to 50°C (14 to 122°F) |
| | Storage | -25 to 65°C (-13 to 149°F) with no icing |
| Ambient humidity | Operating | 35% to 85% |
| Enclosure ratings | Front panel | NEMA 4 for indoor use (equivalent to IP66) |
| | Rear case | IEC standard IP20 |
| | Terminals | IEC standard IP00 |
| Memory protection | | Non-volatile memory (number of writings: 100,000 operations) |
| Weight | | Approx. 320 g Mounting bracket: approx. 65 g |
| EMC | | Emission Enclosure: EN55011 Group 1 class A Emission AC Mains: EN55011 Group 1 class A Immunity ESD: EN61000-4-2: 4 kV contact discharge (level 2) 8 kV air discharge (level 3) Immunity RF-interference: ENV50140: 10 V/m (amplitude modulated, 80 MHz to 1 GHz) (level 3) 10 V/m (pulse modulated, 900 MHz) Immunity Conducted Disturbance: ENV50141: 10 V (0.15 to 80 MHz) (level 3) Immunity Burst: EN61000-4-4: 2 kV power-line (level 3) 2 kV I/O signal-line (level 4) |
| Approved standards | | UL1092, CSA22.2 No. 14, CSA22.2 No. 1010-1 Conforms to EN50081-2, EN50082-2, EN61010-1 (IEC61010-1) Conforms to VDE0106/part 100 (Finger Protection), when the separately-ordered terminal cover is mounted. |

- Note: 1. The indication accuracy of the K, T, and N thermocouples at a temperature of -100°C or less is ±2°C ±1 digit maximum. The indication accuracy of the B thermocouple at a temperature of 400°C or less is unrestricted. The indication accuracy of the R and S thermocouples at a temperature of 200°C or less is ±3°C ±1 digit maximum. The indication accuracy of the W thermocouple at any temperature is (±0.3% of the indicated value or ±3°C, whichever is greater) ±1 digit maximum. The indication accuracy of the PLII thermocouple at any temperature is (±0.3% or ±2°C, whichever is greater) ±1 digit maximum.
2. The indication accuracy of the Pt at -100.0°C to 100.0°C is ±0.1% FS ±1 digit maximum.
3. The sampling period of the standard model with CT and remote SP inputs is 250 ms.

■ Communication Characteristics

Conforms to DeviceNet communications protocol.

For details, refer to the *CompoBus/D Operation Manual* and *E5EK-DRT DeviceNet Process Controller User's Manual*.

| | | |
|---------------------------------|-----------------|--|
| Connection forms | | Combination of multi-drop and T-branch connections (See Note 1) |
| Communications baud rate | | 500 kbps, 250 kbps, or 125 kbps (set using the front panel keys) |
| Communications media | | Special 5-wire cables (2 signal lines, 2 power lines, 1 shield line) |
| Communications distance | 500 kbps | Network length (See Note 2): 100 m max. (See Note 3) Drop line length: 6 m max. Total drop line length: 39 m max. |
| | 250 kbps | Network length (See Note 2): 250 m max. (See Note 3) Drop line length: 6 m max. Total drop line length: 78 m max. |
| | 125 kbps | Network length (See Note 2): 500 m max. (See Note 3) Drop line length: 6 m max. Total drop line length: 156 m max. |
| Max. number of nodes | | 64 nodes (including master) |
| Max. number of slaves | | 63 slaves |
| Error control checks | | CRC error check, duplicate node address check |

- Note: 1. External terminating resistor is required.
 2. Indicates the maximum distance between nodes.
 3. The distance is less than 100 m when thin cables are used for the trunk lines.

■ Output Board Ratings and Characteristics

| | |
|------------------------------|--|
| Relay output | 5 A at 250 VAC (resistive load) |
| SSR output | 1 A at 75 to 250 VAC (resistive load) |
| Voltage output | NPN: 40 mA at 12 VDC (with short-circuit protection) NPN: 20 mA at 24 VDC (with short-circuit protection) PNP: 20 mA at 24 VDC (with short-circuit protection) |
| Linear current output | 4 to 20 mA, permissible load impedance: 600 Ω max., resolution: approx. 2,600 0 to 20 mA, permissible load impedance: 600 Ω max., resolution: approx. 2,600 |
| Linear voltage output | 0 to 10 VDC, permissible load impedance: 1 kΩ max., resolution: approx. 2,600 0 to 5 VDC, permissible load impedance: 1 kΩ max., resolution: approx. 2,600 |

■ Current Transformer Ratings

| | | |
|---------------------------------------|----------------------------------|-----------------------|
| Model | E54-CT1 | E54-CT3 |
| Max. continuous heater current | 50 amps | 120 amps (See Note 1) |
| Dielectric strength | 1,000 VAC (for 1 min) | |
| Vibration resistance | 50 Hz, 98 m/s ² (10G) | |
| Weight | Approx. 11.5 g | Approx. 50 g |
| Accessories | -- | Armature: 2; Plug: 2 |

Note: 1. Use within the max heater current rating of controller table shown below.

■ Heater Burnout Alarm

| | |
|--|--|
| Max. heater current | Single-phase 50 A AC (See Note 1) |
| Heater current value display accuracy | ±5% FS±1 digit max. |
| Heater burnout alarm setting range | 0.1 to 49.9 A (in units of 0.1 A) (See Note 2) |
| Min. detection ON time | 190 ms (See Note 3) |

- Note: 1. The heater burnout alarm is always OFF if the alarm is set to 0.0 A and always ON if the alarm is set to 50.0 A.
 2. No heater burnout detection or heater current value measurement is possible if the control output (heat) is ON for less than 190 ms.

This product has been tested by ODVA's authorized Independent Test Lab and found to comply with ODVA Conformance Test Software Version 2.0-1.00.

Temperature Ranges

Platinum Resistance Thermometer

| | | | | | | | | |
|---------------------------|----|-----------------|--|--|-----------------|--|--|-----------------|
| Input (switch selectable) | | JPt100 | | | Pt100 | | | |
| Range | °C | -199.9 to 650.0 | | | -199.9 to 650.0 | | | -100.0 to 100.0 |
| | °F | -199.9 to 999.9 | | | -199.9 to 999.9 | | | -150.0 to 250.0 |

Thermocouple

| | | | | | | | | | | | | | | | | | | | | | | | | | |
|--|----|---------------|--------------|---------------|--------------|-----------------|-------------|---------------|--------------|-----------------|---------------|-------------|-------------|--------------|-------------|-------------|--|---|--|---|--|---|--|------|--|
| Input (switch selectable) (See Note.) | | K | | J | | T | | E | | L | | U | | N | | R | | S | | B | | W | | PLII | |
| Range | °C | -200 to 1,300 | 0.0 to 500.0 | -100 to 850 | 0.0 to 400.0 | -199.9 to 400.0 | 0 to 600 | -100 to 850 | 0.0 to 400.0 | -199.9 to 400.0 | -200 to 1,300 | 0 to 1,700 | 0 to 1,700 | 100 to 1,800 | 0 to 2,300 | 0 to 1,300 | | | | | | | | | |
| | °F | -328 to 2,372 | 32 to 932 | -148 to 1,562 | 32 to 752 | -327.82 to 752 | 32 to 1,112 | -148 to 2,732 | 32 to 752 | -327.82 to 752 | -328 to 2,372 | 32 to 3,092 | 32 to 3,092 | 212 to 3,272 | 32 to 4,172 | 32 to 2,372 | | | | | | | | | |

Note: Setting number is factory-set to 2 (K).
Thermocouple W is W/Re5-26 (tungsten rhenium 5, tungsten rhenium 26).

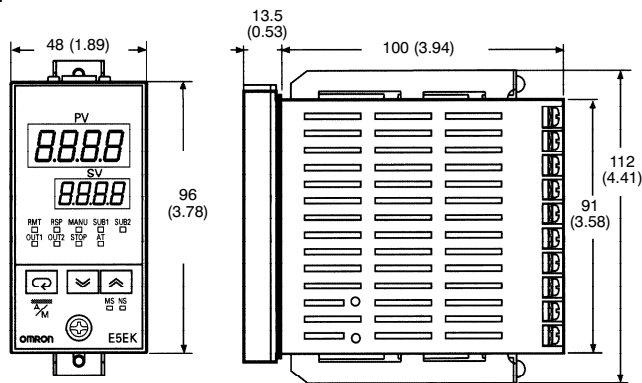
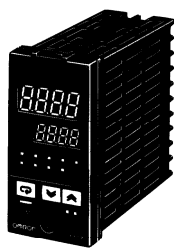
Current/Voltage Ranges

| | | | | | |
|---------------------------|---|------------|---------------|----------|-----------|
| Input (switch selectable) | Current input | | Voltage input | | |
| | 4 to 20 mA | 0 to 20 mA | 1 to 5 V | 0 to 5 V | 0 to 10 V |
| Range | One of following ranges depending on results of scaling -1999 to 9999 -199.9 to 999.9 -19.99 to 99.99 -1.999 to 9.999 | | | | |

Dimensions

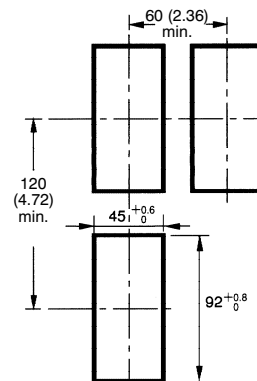
Unit: mm (inch)

E5EK-DRT



Note: Rear case width is 44 mm.

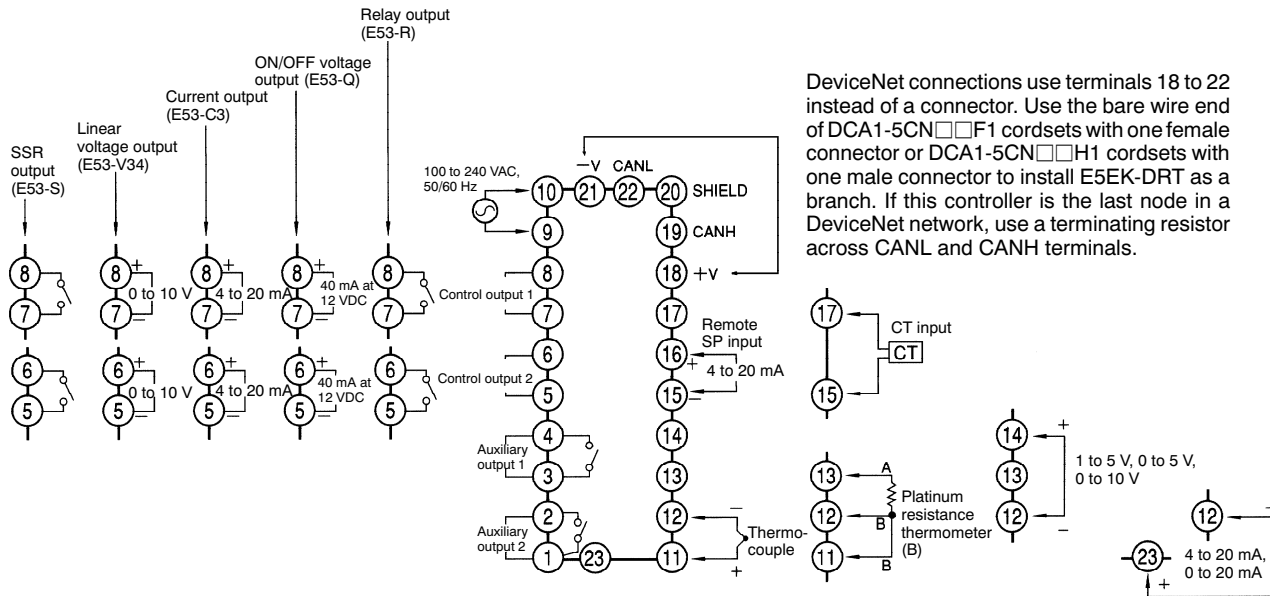
Panel Cutouts



- Note: 1. Recommended panel thickness is 1 to 8 mm.
- Note: 2. Maintain the specified vertical and horizontal mounting space between each Unit. Units must not be closely mounted (vertically or horizontally).

Installation

External Connection



DeviceNet connections use terminals 18 to 22 instead of a connector. Use the bare wire end of DCA1-5CN□□F1 cordsets with one female connector or DCA1-5CN□□H1 cordsets with one male connector to install E5EK-DRT as a branch. If this controller is the last node in a DeviceNet network, use a terminating resistor across CANL and CANH terminals.

Precautions

For application precautions, refer to the *CompoBus/D Operation Manual (W267)* and *E5EK-DRT User Manual (H099)*.

Certain Terms and Conditions of Sale

1. **Offer; Acceptance.** These terms and conditions (these "Terms") are deemed part of all catalogs, manuals or other documents, whether electronic or in writing, relating to the sale of goods or services (collectively, the "Goods") by Omron Electronics LLC and its subsidiary companies ("Seller"). Seller hereby objects to any terms or conditions proposed in Buyer's purchase order or other documents which are inconsistent with, or in addition to, these Terms. Please contact your Omron representative to confirm any additional terms for sales from your Omron company.
2. **Prices.** All prices stated are current, subject to change without notice by Seller. Buyer agrees to pay the price in effect at time of shipment.
3. **Discounts.** Cash discounts, if any, will apply only on the net amount of invoices sent to Buyer after deducting transportation charges, taxes and duties, and will be allowed only if (i) the invoice is paid according to Seller's payment terms and (ii) Buyer has no past due amounts owing to Seller.
4. **Orders.** Seller will accept no order less than \$200 net billing.
5. **Governmental Approvals.** Buyer shall be responsible for, and shall bear all costs involved in, obtaining any government approvals required for the importation or sale of the Goods.
6. **Taxes.** All taxes, duties and other governmental charges (other than general real property and income taxes), including any interest or penalties thereon, imposed directly or indirectly on Seller or required to be collected directly or indirectly by Seller for the manufacture, production, sale, delivery, importation, consumption or use of the Goods sold hereunder (including customs duties and sales, excise, use, turnover and license taxes) shall be charged to and remitted by Buyer to Seller.
7. **Financial.** If the financial position of Buyer at any time becomes unsatisfactory to Seller, Seller reserves the right to stop shipments or require satisfactory security or payment in advance. If Buyer fails to make payment or otherwise comply with these Terms or any related agreement, Seller may (without liability and in addition to other remedies) cancel any unshipped portion of Goods sold hereunder and stop any Goods in transit until Buyer pays all amounts, including amounts payable hereunder, whether or not then due, which are owing to it by Buyer. Buyer shall in any event remain liable for all unpaid accounts.
8. **Cancellation; Etc.** Orders are not subject to rescheduling or cancellation unless Buyer indemnifies Seller fully against all costs or expenses arising in connection therewith.
9. **Force Majeure.** Seller shall not be liable for any delay or failure in delivery resulting from causes beyond its control, including earthquakes, fires, floods, strikes or other labor disputes, shortage of labor or materials, accidents to machinery, acts of sabotage, riots, delay in or lack of transportation or the requirements of any government authority.
10. **Shipping; Delivery.** Unless otherwise expressly agreed in writing by Seller:
 - a. Shipments shall be by a carrier selected by Seller;
 - b. Such carrier shall act as the agent of Buyer and delivery to such carrier shall constitute delivery to Buyer;
 - c. All sales and shipments of Goods shall be FOB shipping point (unless otherwise stated in writing by Seller), at which point title to and all risk of loss of the Goods shall pass from Seller to Buyer, provided that Seller shall retain a security interest in the Goods until the full purchase price is paid by Buyer;
 - d. Delivery and shipping dates are estimates only.
 - e. Seller will package Goods as it deems proper for protection against normal handling and extra charges apply to special conditions.
11. **Claims.** Any claim by Buyer against Seller for shortage or damage to the Goods occurring before delivery to the carrier must be presented in writing to Seller within 30 days of receipt of shipment and include the original transportation bill signed by the carrier noting that the carrier received the Goods from Seller in the condition claimed.
12. **Warranties.** (a) **Exclusive Warranty.** Seller's exclusive warranty is that the Goods will be free from defects in materials and workmanship for a period of twelve months from the date of sale by Seller (or such other period expressed in writing by Seller). Seller disclaims all other warranties, express or implied. (b) **Limitations.** SELLER MAKES NO WARRANTY OR REPRESENTATION, EXPRESS OR IMPLIED, ABOUT NON-INFRINGEMENT, MERCHANTABILITY OR FITNESS FOR A PARTICULAR PURPOSE OF THE GOODS. BUYER ACKNOWLEDGES THAT IT ALONE HAS DETERMINED THAT THE GOODS WILL SUITABLY MEET THE REQUIREMENTS OF THEIR INTENDED USE. Seller further disclaims all warranties and responsibility of any type for claims or expenses based on infringement by the Goods or otherwise of any intellectual property right. (c) **Buyer Remedy.** Seller's sole obligation hereunder shall be to replace (in the form originally shipped with Buyer responsible for labor charges for removal or replacement thereof) the non-complying Good or, at Seller's election, to repay or credit Buyer an amount equal to the purchase price of the Good; provided that in no event shall Seller be responsible for warranty, repair, indemnity or any other claims or expenses regarding the Goods unless Seller's analysis confirms that the Goods were properly handled, stored, installed and maintained and not subject to contamination, abuse, misuse or inappropriate modification. Return of any goods by Buyer must be approved in writing by Seller before shipment. Seller shall not be liable for the suitability or unsuitability or the results from the use of Goods in combination with any electrical or electronic components, circuits, system assemblies or any other materials or substances or environments. Any advice, recommendations or information given orally or in writing, are not to be construed as an amendment or addition to the above warranty.
13. **Damage Limits; Etc.** SELLER SHALL NOT BE LIABLE FOR SPECIAL, INDIRECT OR CONSEQUENTIAL DAMAGES, LOSS OF PROFITS OR PRODUCTION OR COMMERCIAL LOSS IN ANY WAY CONNECTED WITH THE GOODS, WHETHER SUCH CLAIM IS BASED IN CONTRACT, WARRANTY, NEGLIGENCE OR STRICT LIABILITY. Further, in no event shall liability of Seller exceed the individual price of the Good on which liability is asserted.
14. **Indemnities.** Buyer shall indemnify and hold harmless Seller, its affiliates and its employees from and against all liabilities, losses, claims, costs and expenses (including attorney's fees and expenses) related to any claim, investigation, litigation or proceeding (whether or not Seller is a party) which arises or is alleged to arise from Buyer's acts or omissions under these Terms or in any way with respect to the Goods. Without limiting the foregoing, Buyer (at its own expense) shall indemnify and hold harmless Seller and defend or settle any action brought against Seller to the extent that it is based on a claim that any Good made to Buyer specifications infringed intellectual property rights of another party.
15. **Property; Confidentiality.** The intellectual property embodied in the Goods is the exclusive property of Seller and its affiliates and Buyer shall not attempt to duplicate it in any way without the written permission of Seller. Notwithstanding any charges to Buyer for engineering or tooling, all engineering and tooling shall remain the exclusive property of Seller. All information and materials supplied by Seller to Buyer relating to the Goods are confidential and proprietary, and Buyer shall limit distribution thereof to its trusted employees and strictly prevent disclosure to any third party.
16. **Miscellaneous.** (a) **Waiver.** No failure or delay by Seller in exercising any right and no course of dealing between Buyer and Seller shall operate as a waiver of rights by Seller. (b) **Assignment.** Buyer may not assign its rights hereunder without Seller's written consent. (c) **Amendment.** These Terms constitute the entire agreement between Buyer and Seller relating to the Goods, and no provision may be changed or waived unless in writing signed by the parties. (d) **Severability.** If any provision hereof is rendered ineffective or invalid, such provision shall not invalidate any other provision. (e) **Setoff.** Buyer shall have no right to set off any amounts against the amount owing in respect of this invoice. (f) As used herein, "including" means "including without limitation".

Certain Precautions on Specifications and Use

1. **Suitability of Use.** Seller shall not be responsible for conformity with any standards, codes or regulations which apply to the combination of the Good in the Buyer's application or use of the Good. At Buyer's request, Seller will provide applicable third party certification documents identifying ratings and limitations of use which apply to the Good. This information by itself is not sufficient for a complete determination of the suitability of the Good in combination with the end product, machine, system, or other application or use. The following are some examples of applications for which particular attention must be given. This is not intended to be an exhaustive list of all possible uses of this Good, nor is it intended to imply that the uses listed may be suitable for this Good:
 - (i) Outdoor use, uses involving potential chemical contamination or electrical interference, or conditions or uses not described in this document.
 - (ii) Energy control systems, combustion systems, railroad systems, aviation systems, medical equipment, amusement machines, vehicles, safety equipment, and installations subject to separate industry or government regulations.
 - (iii) Systems, machines and equipment that could present a risk to life or property. Please know and observe all prohibitions of use applicable to this Good.
2. **Programmable Products.** Seller shall not be responsible for the user's programming of a programmable Good, or any consequence thereof.
3. **Performance Data.** Performance data given in this catalog is provided as a guide for the user in determining suitability and does not constitute a warranty. It may represent the result of Seller's test conditions, and the user must correlate it to actual application requirements. Actual performance is subject to the Seller's Warranty and Limitations of Liability.
4. **Change in Specifications.** Product specifications and accessories may be changed at any time based on improvements and other reasons. It is our practice to change part numbers when published ratings or features are changed, or when significant construction changes are made. However, some specifications of the Good may be changed without any notice. When in doubt, special part numbers may be assigned to fix or establish key specifications for your application. Please consult with your Seller's representative at any time to confirm actual specifications of purchased Good.
5. **Errors and Omissions.** The information in this catalog has been carefully checked and is believed to be accurate; however, no responsibility is assumed for clerical, typographical or proofreading errors, or omissions.

NEVER USE THE PRODUCT FOR AN APPLICATION INVOLVING SERIOUS RISK TO LIFE OR PROPERTY WITHOUT ENSURING THAT THE SYSTEM AS A WHOLE HAS BEEN DESIGNED TO ADDRESS THE RISKS, AND THAT THE SELLER'S PRODUCT IS PROPERLY RATED AND INSTALLED FOR THE INTENDED USE WITHIN THE OVERALL EQUIPMENT OR SYSTEM.

Complete "Terms and Conditions of Sale" for product purchase and use are on Omron's website at www.omron.com/oei – under the "About Us" tab, in the Legal Matters section.

ALL DIMENSIONS SHOWN ARE IN MILLIMETERS.

To convert millimeters into inches, multiply by 0.03937. To convert grams into ounces, multiply by 0.03527.

OMRON[®]**OMRON ELECTRONICS LLC**

One Commerce Drive
Schaumburg, IL 60173

847-843-7900

For US technical support or other inquiries:

800-556-6766**OMRON CANADA, INC.**

885 Milner Avenue
Toronto, Ontario M1B 5V8

416-286-6465**OMRON ON-LINE**

Global - <http://www.omron.com>
USA - <http://www.omron.com/oei>
Canada - <http://www.omron.ca>

Mouser Electronics

Authorized Distributor

Click to View Pricing, Inventory, Delivery & Lifecycle Information:

[Omron:](#)

[DRS2-1](#)