



Gold Bonded

1N270

Germanium Diodes

Optimized for Radio Frequency Response

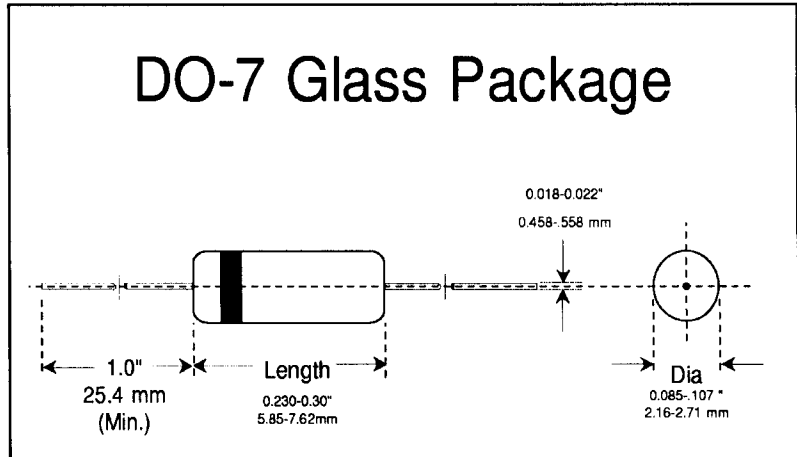
Can be used in many AM, FM and TV-IF applications, replacing point contact devices.

Applications

- AM/FM detectors
- Ratio detectors
- FM discriminators
- TV audio detectors
- RF input probes
- TV video detectors

Features

- Lower leakage current
- Flat junction capacitance
- High mechanical strength



problem free solderability

Absolute Maximum Ratings at $T_{amb} = 25^\circ\text{C}$

Parameter	Symbols	Min.	Max.	Units
Peak Inverse Voltage	PIV	**	100	Volts
Surge Current, $t = 1$ Second	I_{FSM}		0.5	Amps
Average Rectified Forward Current	I_o		40	mA
Peak Operating Current	I_{OS}		325	mA
Operating and Storage Temperatures	$T_{J \& STG}$	-65	+90	$^\circ\text{C}$

Electrical Characteristics at $T_{amb} = 25^\circ\text{C}$

Parameter	Test Conditions	Symbols	Min.	Typ.	Max.	Units
Forward Voltage Drop	$I_F = 200$ mA	V_F			1.00	Volts
Breakdown Voltage @ $I_R = 1.0$ mA		PIV	100			Volts
Reverse Leakage	$V_R = 50$ Volts	I_o		**	100	μA
Junction Capacitance	$f = 1\text{MHz}, V_R = 1$ volt	C_J		0.8		pF