

RIGOL

User's Guide

DSA1000&DSA1000A Series Options&Accessories

Feb. 2014

RIGOL Technologies, Inc.

Guaranty and Declaration

Copyright

© 2010 RIGOL Technologies, Inc. All Rights Reserved.

Trademark Information

RIGOL is a registered trademark of **RIGOL** Technologies, Inc.

Publication Number

UMD01105-1110

Notices

- **RIGOL** products are protected by patent law in and outside of P.R.C.
- **RIGOL** Technologies, Inc. reserves the right to modify or change parts of or all the specifications and pricing policies at company's sole decision.
- Information in this publication replaces all previously corresponding material.
- **RIGOL** shall not be liable for losses caused by either incidental or consequential in connection with the furnishing, use or performance of this manual as well as any information contained.
- Any part of this document is forbidden to copy or photocopy or rearrange without prior written approval of **RIGOL**.

Product Certification

RIGOL guarantees this product conforms to the national and industrial standards in China. International standard conformance certification is in progress, e.g. ISO.

Contact Us

If you have any problem or requirement when using our products or this manual, please contact **RIGOL**.

E-mail: service@rigol.com

Websites: www.rigol.com

Content

Guaranty and Declaration	1
Content	2
DSA1000 Series Options&Accessories	3
DSA1000A Series Options&Accessories	4
Preamplifier	5
Advanced Measurement Functions.....	6
3 GHz Tracking Generator.....	11
USB-GPIB Interface Converter	13
Front Panel Cover	14
Desk Mount Instrument Arm.....	15
Rack Mount Kit.....	16
Soft Carrying Bag	22
Other Accessories.....	24

DSA1000 Series Options&Accessories

Name	Descriptions
Options	
Preamplifier	DSA1030-PA (For DSA1030 only)
Advanced Measurement Kit	DSA1000-AMK (For DSA1030 only)
3 GHz Tracking Generator	DSA1030-TG3 (For DSA1030 only)
PC software for DSA	Ultra Spectrum*
USB-GPIB Interface Converter for Instrument	USB-GPIB
RF Demo Kit (Transmitter)	TX1000

Standard Accessories

Power Cord	1
USB Cable	1
Front Panel Cover	1
Quick Guide	1
CDROM	1 (User's Guide, Programming Guide)

Optional Accessories

Desk Mount Instrument Arm	ARM
DSA Accessories Package	DSA Utility Kit*
Front Panel Cover	DSA1000-FPCS
Soft Carrying Bag	DSA1000-SCBA
Rack Mount Kit	DSA1000-RMSA

*Note: please refer to the corresponding documents for more information.

DSA1000A Series Options&Accessories

Name	Description
Options	
3 GHz Tracking Generator	DSA1030-TG3
PC software for PC	Ultra Spectrum*
USB to GPIB Interface Converter for Instrument	USB-GPIB
RF Demo Kit (Transmitter)	TX1000*

Standard Accessories


Power Cord	1
USB Cable	1
Front Panel Cover	1
Quick Guide	1
CDROM	1 (User's Guide, Programming Guide)

Optional Accessories

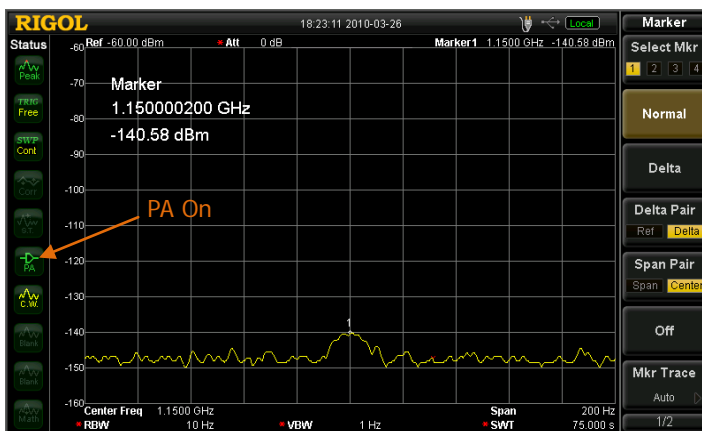
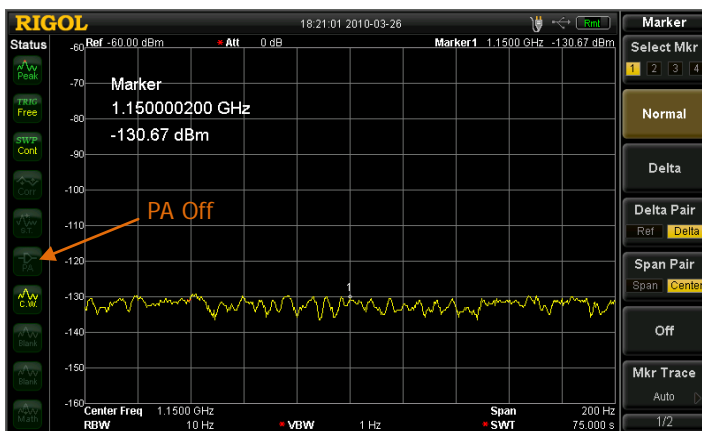
Desk Mount Instrument Arm	ARM
RF Demo Kit	TX1000
DSA Accessories Package	DSA Utility Kit*
Front Panel Cover	DSA1000-FPCS
Soft Carrying Bag	DSA1000-SCBA
Rack Mount Kit	DSA1000-RMSA

*Note: please refer to the corresponding documents for more information.

Preamplifier

Turning on the preamplifier reduces the displayed average noise level in order to distinguish small signals from the noise when working with small signals. For the instruments supported option DSA1030-PA, pressing the front panel key **AMPT**, a corresponding menu will appear on the right of the screen. Then, press **RF Preamp** to turn on or off the preamplifier. An icon  will be displayed on the left of the screen when the preamplifier is on. The preamplifier will be disabled automatically when the input attenuation is set higher than 30 dB.

The measurement results when the preamplifier is off and on are shown below, respectively. As can be seen, small input signals can be displayed by the analyzer when the preamplifier is on.



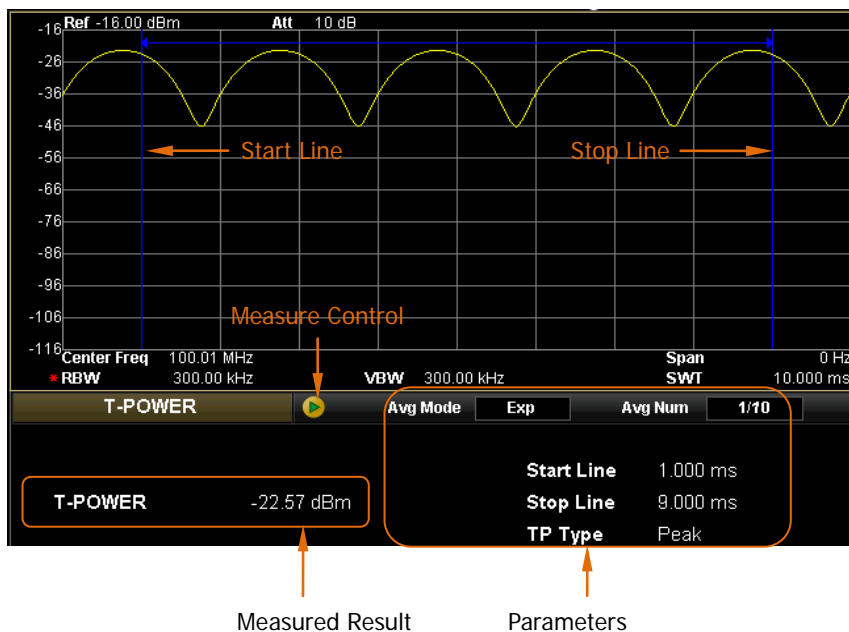
Advanced Measurement Functions

Option DSA1000-AMK provides plenty of advanced measurement functions including T-Power (Time domain Power), ACP (Adjacent Channel Power), Chan Pwr (Channel Power), OBW (Occupied Bandwidth), EBW (Emission Bandwidth), C/N Ratio, Harmo Dist (Harmonic Distortion), TOI (Third Order Intermodulation) and Pass/Fail. The measure mode can be **Single** or **Continuous** and you can control the measurement status: **Restart**, **Pause** or **Resume**.

Pressing the front panel key **Meas**, the corresponding menu will appear on the right of the screen. Press **Meas Fctn** and choose a measurement function. The screen will be divided into two windows. The upper one is for basic measure, displaying sweep trace, and the lower one shows the measurement results.

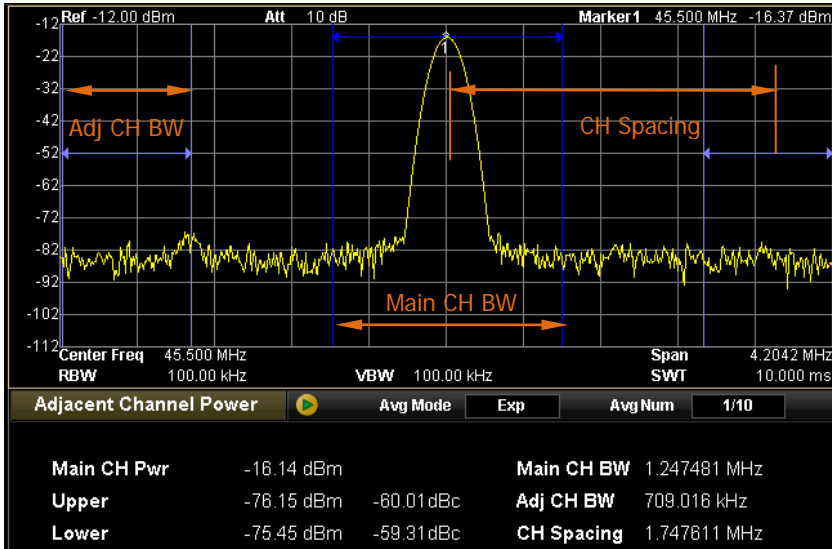
1. T-Power (Time domain Power)

Enables the Zero Span Mode and calculates the power within time domain. The measurable power types are Peak, Average and RMS.



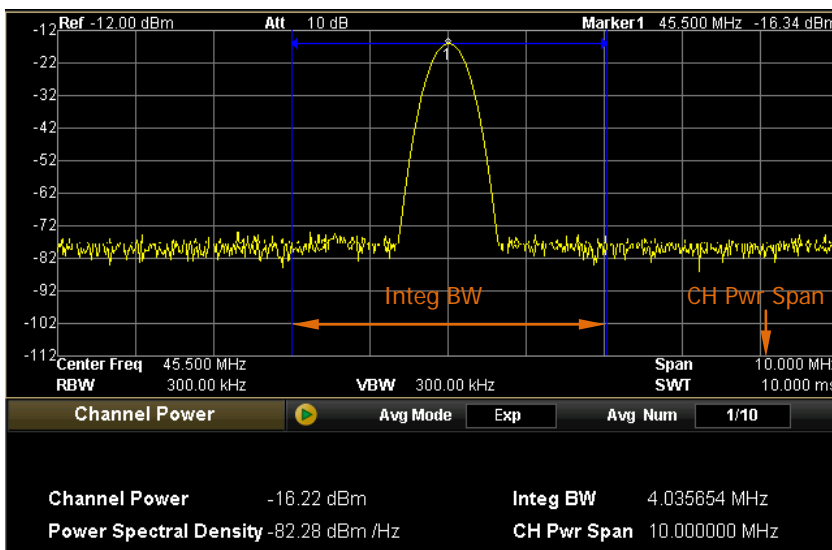
2. ACP (Adjacent Channel Power)

Measures the power of the main channel and the adjacent channels and calculates the power difference between the main and each of the adjacent channels. When enabled, both the span and resolution bandwidth of the analyzer are adjusted to be smaller automatically.



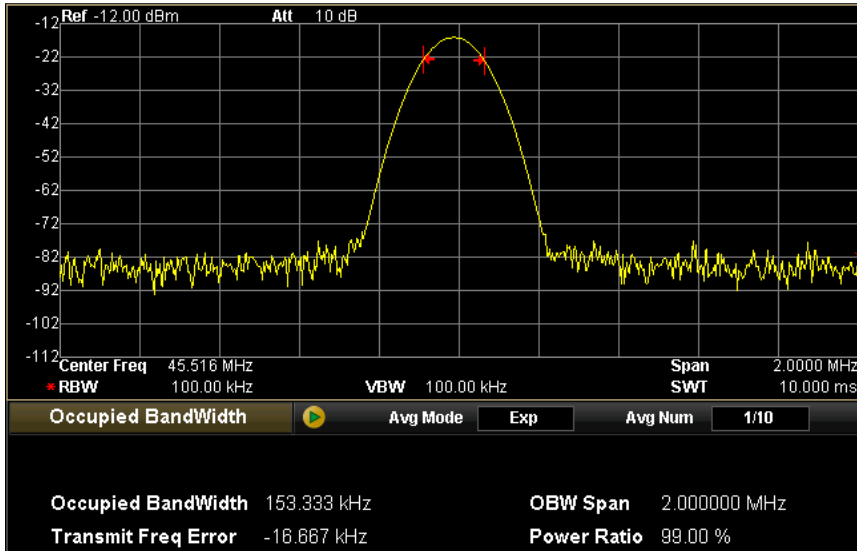
3. Chan Pwr (Channel Power)

Measures the power and the power density within a specified channel bandwidth. The span and bandwidth are automatically set to smaller values in this measurement type.



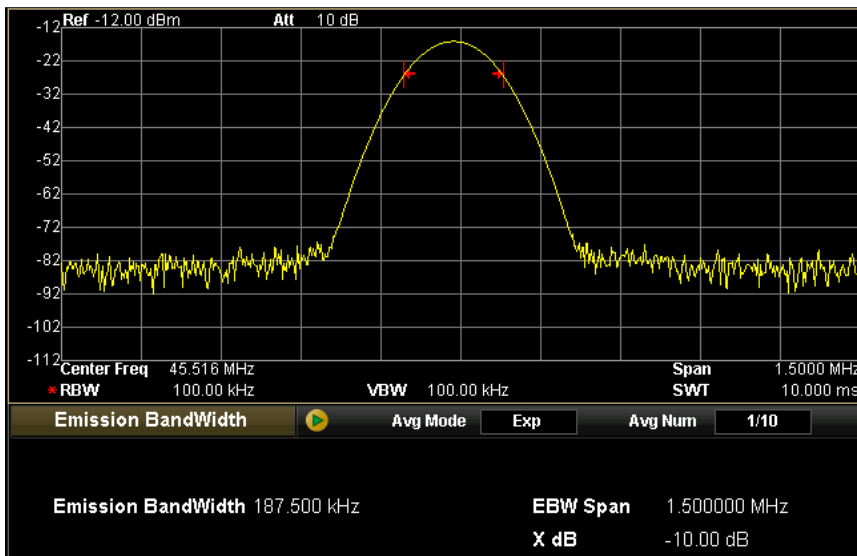
4. OBW (Occupied Bandwidth)

Calculates the power within whole bandwidth by integral operation and works out the occupied bandwidth by this value based on the specified power ratio. The center frequency difference between the measured channel and the analyzer will also be given in the measurement results.



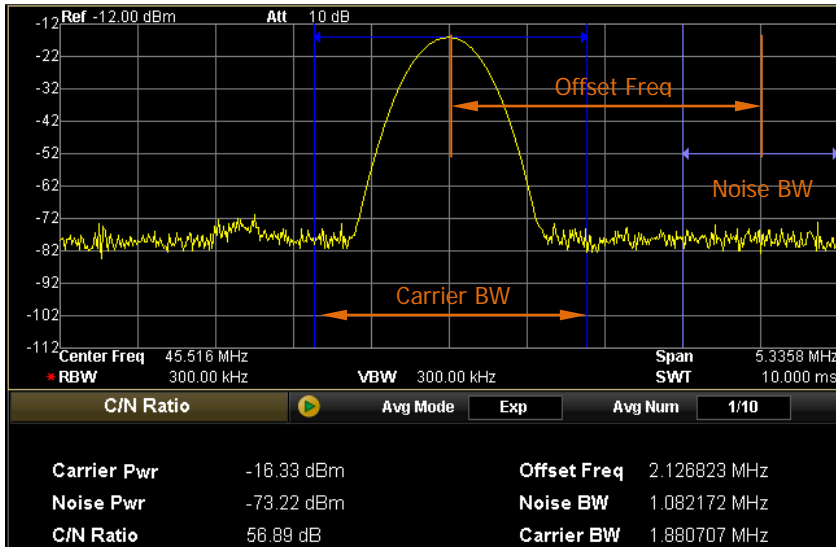
5. EBW (Emission Bandwidth)

Measures the bandwidth of the two points at both sides of the max signal when the amplitude of this max signal falls off X dB within the span range.



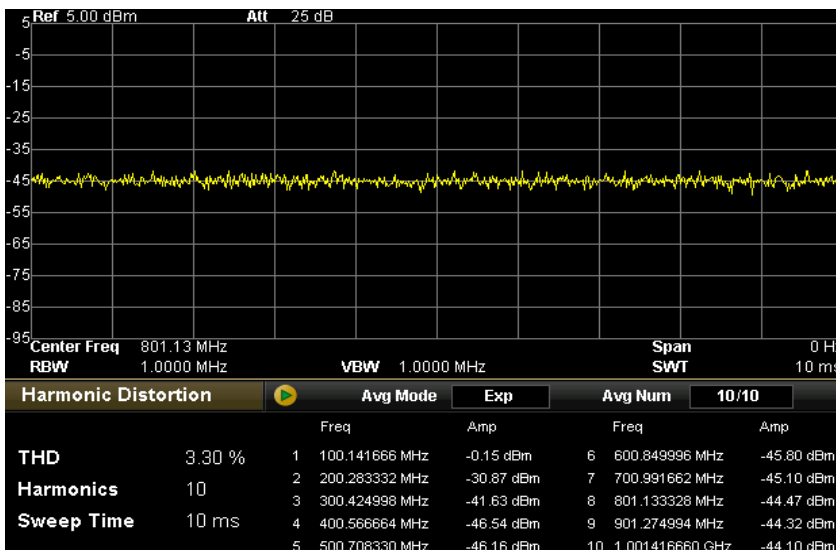
6. C/N Ratio

Measures the power of both the carrier and the noise within specified bandwidth and calculates their ratio.



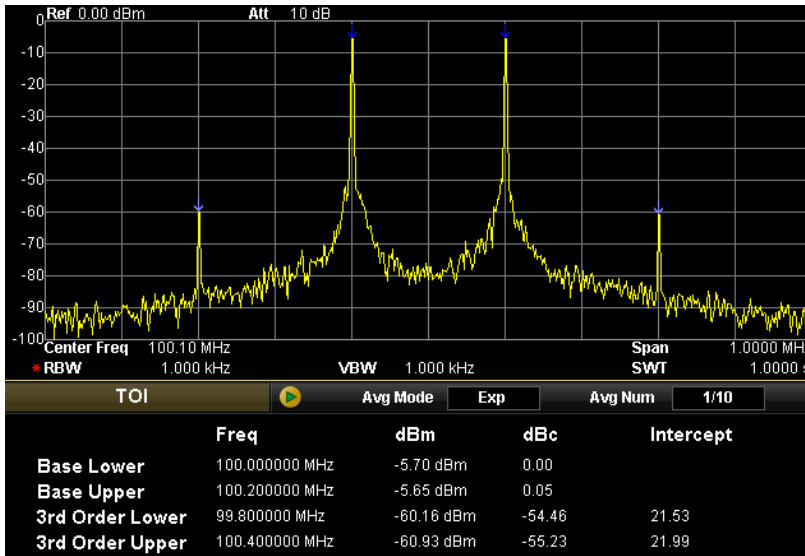
7. Harmo Dist (Harmonic Distortion)

Measures each order harmonic power and THD (Total Harmonic Distortion) of carrier. The available range is up to 10 orders. And the fundamental wave amplitude of the carrier must be higher than -50 dBm or else the measurement will be invalid.



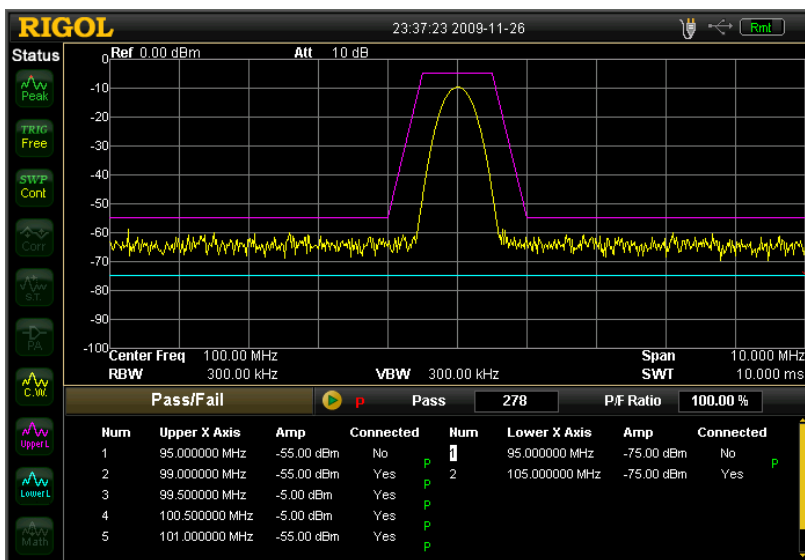
8. TOI (Third Order Intermodulation)

Measures the parameters of the TOI production generated by two signals which have the same amplitude and similar frequency. The measured results include the frequency and amplitude of the Base Lower, Base Upper, 3rd Order Lower and 3rd Order Upper signals, as well as the Intercept of both the 3rd Order Lower and 3rd Order Upper signals.



9. Pass/Fail

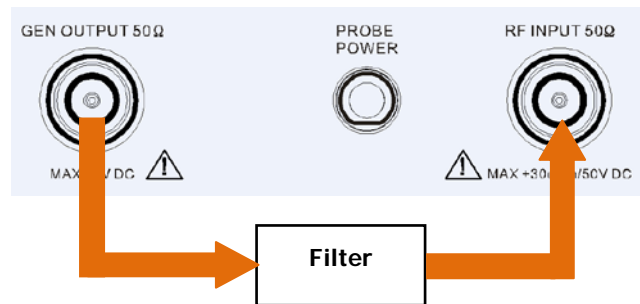
Compares the measured curve with the pre-edited, if the related rules are met, the result will be "Pass", or else is "Fail".



3 GHz Tracking Generator

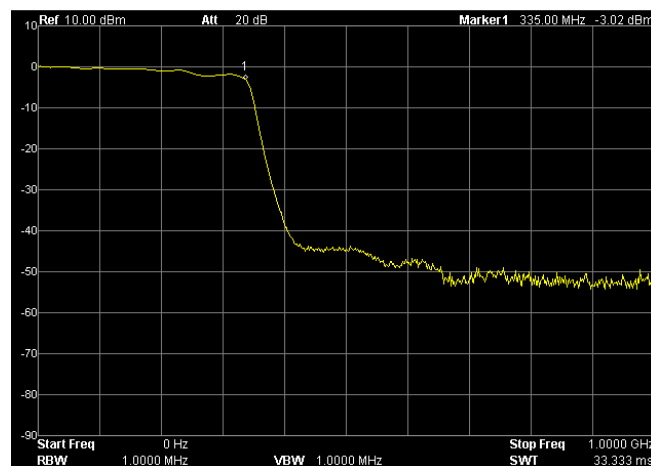
When the Tracking Generator (DSA1030-TG3 Option) is on, a signal with the same frequency with the current sweep signal will be outputted from the **GEN OUTPUT 50 Ω** terminal on the front panel. The power of the signal could be set through the menu. And two working modes, Power Sweep Output and Fixed Power Output, are available.

The characteristic of the DUT (Device Under Test) can be acquired by measuring the response of the DUT stimulated by the Tracking Generator. For example, the frequency response of a filter can be measured by using the Tracking Generator. Connect the filter under measure to the **RF INPUT 50 Ω** and **GEN OUTPUT 50 Ω** terminal of the analyzer.



Measurements Example

The frequency response of a 300 MHz low-pass filter is shown below.



Tracking Generator Specifications

Item	Condition	Value
Frequency Range		9 kHz to 3 GHz
Output Power		-20 dBm to 0 dBm, in 1 dB steps
Output Flatness	10 MHz to 3 GHz, Reference to 50 MHz	± 3 dB

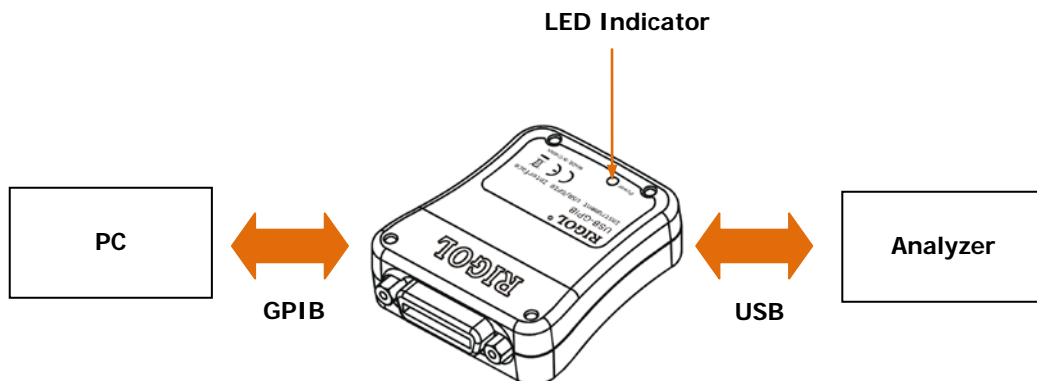
USB-GPIB Interface Converter

By using **RIGOL** USB-GPIB interface converter, the spectrum analyzer could be connected to a GPIB Bus Controller on PC. That is, the analyzer has been expanded GPIB interface and could finish all sorts of work more easily through GPIB instructions. And the main performance characters are shown below.



- Enable GPIB control of the analyzer through the USB Host port.
- GPIB primary address of the analyzer can be assigned through the host instrument (PC).
- Powered by USB Host, do not need external power supply.
- LED indicator provides the power status.

Connect the USB interface of the converter to the USB Host interface of the analyzer, and connect the GPIB interface to the GPIB Bus Controller on PC.

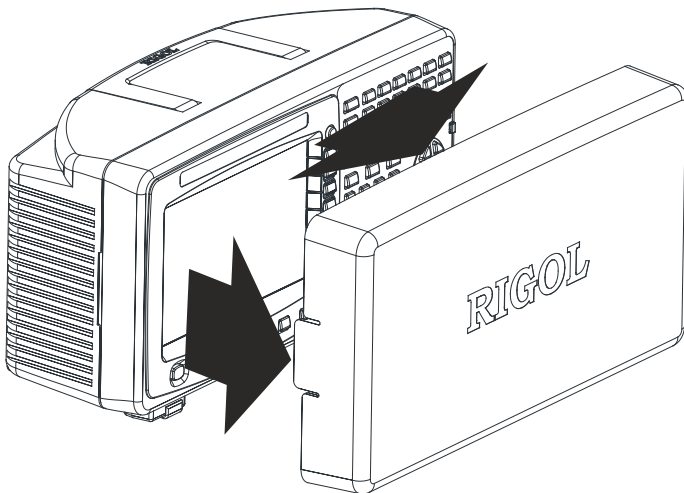


Front Panel Cover

The cover is provided to avoid damage to the front panel of the analyzer during transportation.



Before putting your analyzer into action, remove the front panel cover by releasing latches at both sides, and sliding in the direction of the arrows as shown in the figure below.



Desk Mount Instrument Arm

Using an arm, the analyzer could be mounted on the workdesk to save your operation space. The height and angle of the instrument could be adjusted freely to acquire a supreme comfort and efficiency making measurement and observation conveniently. To use the arm, please order the related option.

The effects figures of an analyzer installed to an arm are given below.



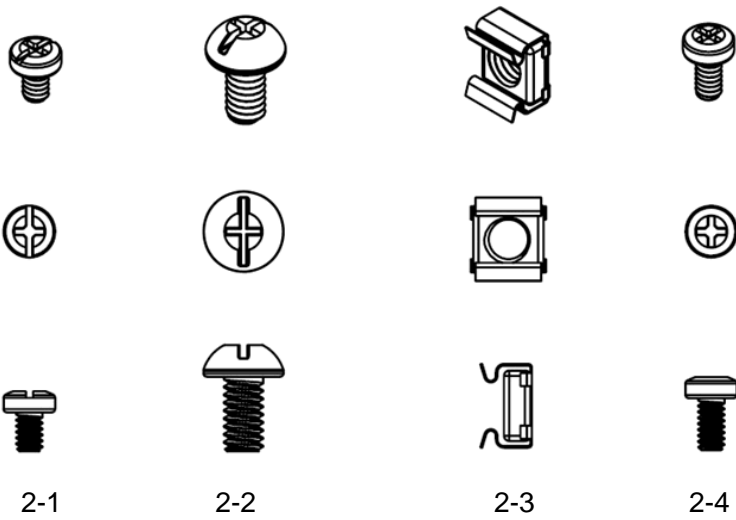
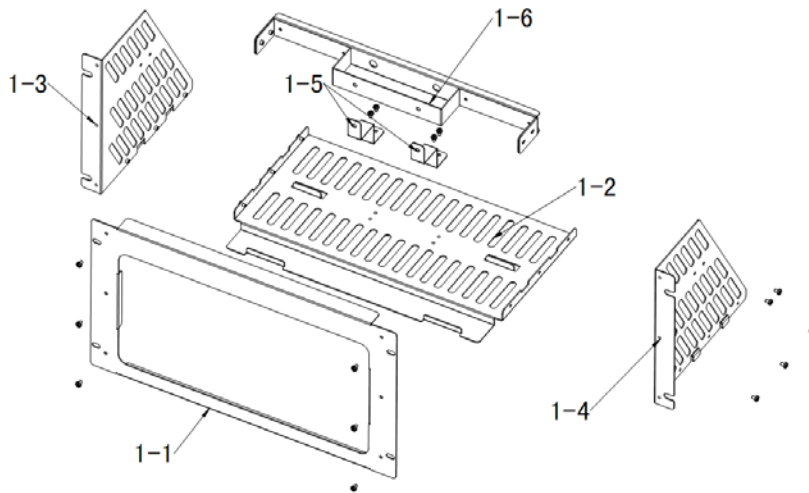
Rack Mount Kit

The analyzer could be installed in 19-inch standard machine cabinet, shown below.



1. Kit Parts List

No.	Name	Qty.	Part Number	Description
1-1	Front Panel	1	RM-DSA-1-01	
1-2	Support Board	1	RM-DSA-1-02	
1-3	Left Plate	1	RM-DSA-1-03	
1-4	Right Plate	1	RM-DSA-1-04	
1-5	Fixed Figure	2	RM-DSA-1-05	
1-6	Rear Support Bar	1	RM-DSA-1-06	
2-1	M4 Screw	20	RM-SCREW-01	M4*6 Phil-Slot Pan Head Machine Screw Nail
2-2	M6 Screw	4	RM-SCREW-02	M6*16 Phil-Slot Pan Head Machine Screw Nail
2-3	M6 Nut	4	RM-SCREW-03	M6*5 Square Machine Female Screw Contain Lock Blade
2-4	M4 Screw	4	RM-SCREW-04	M4*8 Cross Recessed Pan Head Screw



2. Installation Tool

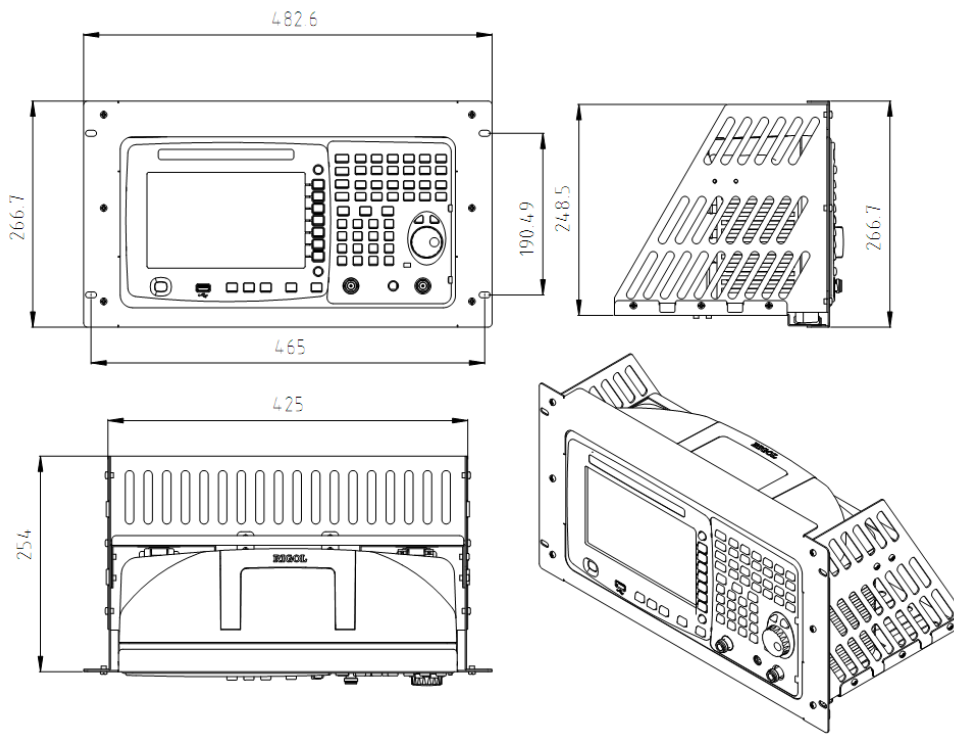
PH2 Phillips Screwdriver (recommended)

3. Space Requirements for Installation

The following requirements must be fulfilled by the machine cabinet in which the instrument is mounted.

- Dimension of the machine cabinet must be standard 19-inch.
- At least 6U (266.7mm) space should be provided by the machine cabinet.
- The depth inside the machine cabinet should not be less than 300 mm.

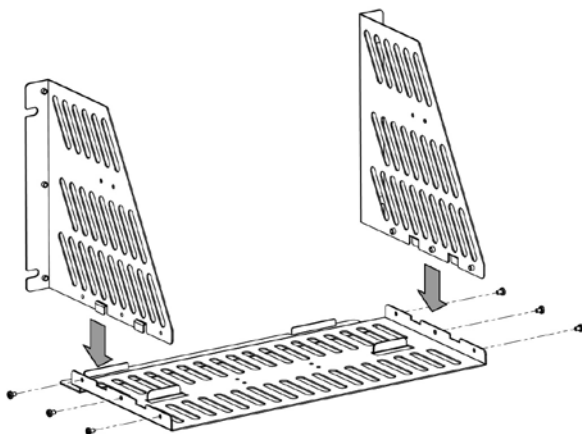
The dimension of the instrument after being installed is shown below.



4. Installation Procedures

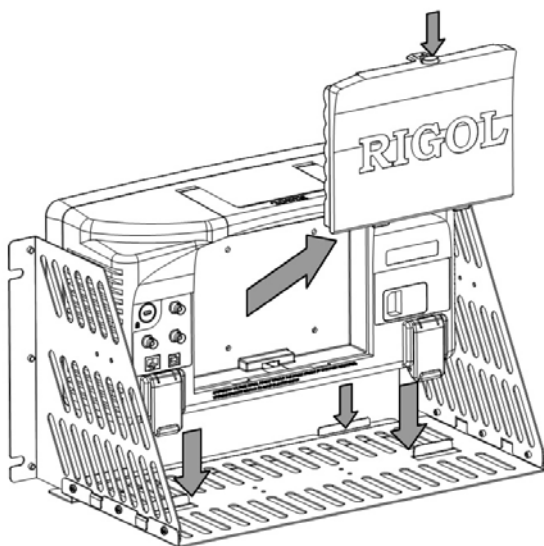
A PH2 Phillips Screwdriver is recommended. Note that the instrument will be damaged or installed in rack incorrectly if the installation is not proper. Thus, only authorized operators can execute the installation operation.

- 1) Install the right and left palate: aim the detents of right and left plate at the openings on support board and insert respectively, then fix them using six M4 screws.

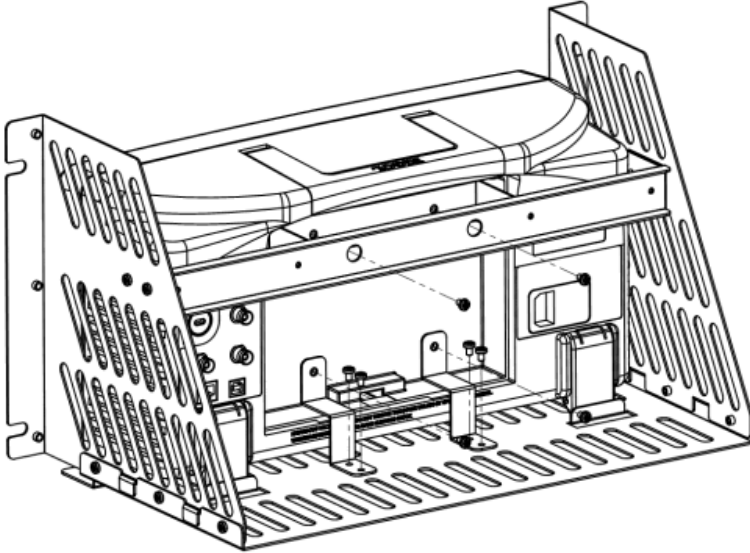


- 2) Place the instrument: Remove the battery* by pressing the button on top of it, and then place the instrument into the confined position on the Support Board.

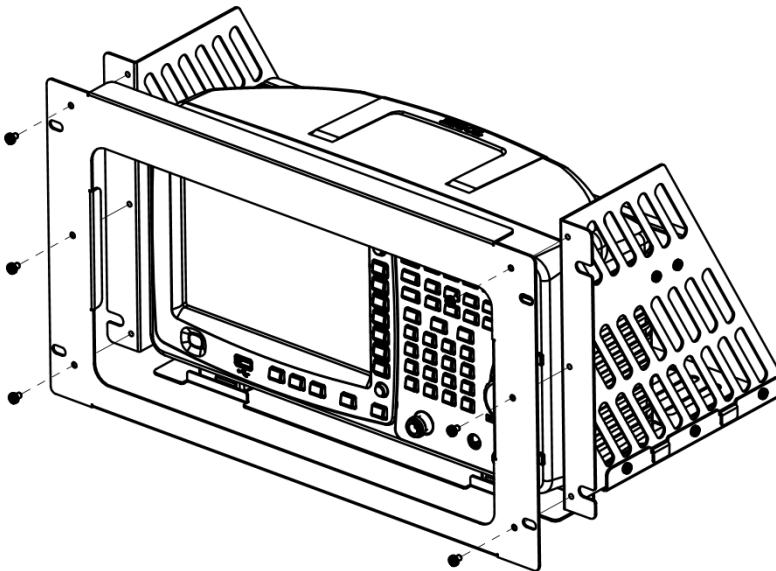
*Note: the battery is only supplied in China.



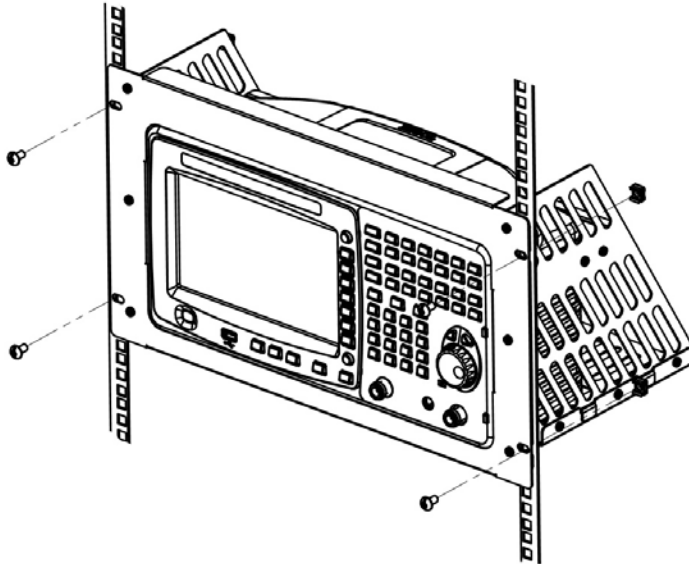
- 3) Fix the instrument: Fix a "Rear Support Bar" and two "Fixed Figure" on the instrument using four M4*8 Screws. Locate the instrument on proper location and then fixed the "Rear Support Bar" and "Fixed Figure" on the left/right board and the Support Board using eight M4*6 Screw.



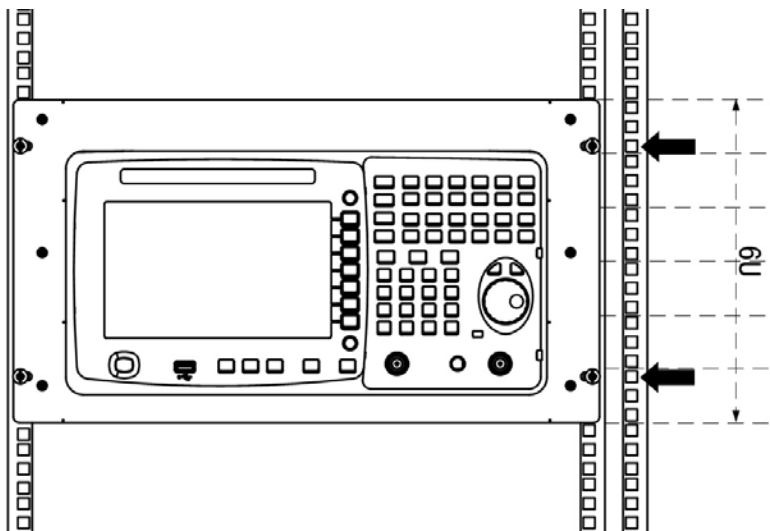
- 4) Mount Front Panel: Let the screw holes fitting well together, and aiming the instrument front panel at the opening of the Front Panel of the machine rack and fix them with six M4 screws.



- 5) Load into machine cabinet: mount the rack with instrument-fixed into a standard 19-inch machine cabinet respectively using four M6 screws and square nuts.



- 6) Notice: The rack holds a height of 6U, and the holes those in compliance with the arrow direction are the mounting holes for rack.



Soft Carrying Bag



The bag is designed by **RIGOL** for utility model measurement instruments. It has reasonable structure as adopting some improvements according to the instrument and practical application. It is in conformity with human engineering and could help you to carry instrument and its accessories easily with comforts and conveniences.

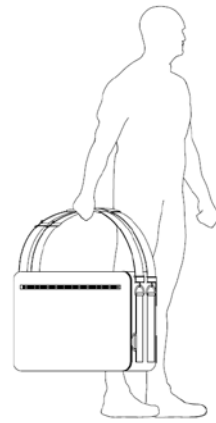
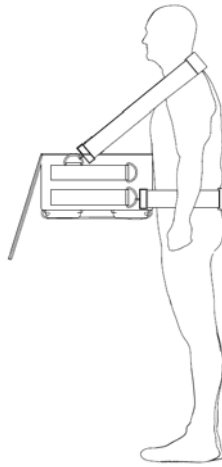
Main features

- Could be held by hand, one-shoulder or shoulders. In addition, one of the belts could be adjusted as neck strap through the vertical strap loop, while another one as waist strap. In this condition, the operator could execute the measurement work, and it could reduce the load on shoulders.
- Soft bag body. And the shoulder straps and belts are equipped by sponge to increase the contact area of the case on human body. It is in conformity with human engineering and provides greatly comforts.
- A strap collection box at the bottom of the case is designed to collect the straps while using belts and ensure the straps do not prevent user's work.
- Many pockets inside for organizing the instrument accessories; have strong accommodating function.
- The built-in water-proof bag can accommodate the case body entirely to avoid damage from water or rain and ensure its normal use and service life; while not in use, fold it up and place it in the hidden pocket outside of the case body and without preventing normal applications.

Held by shoulders

Held by Neck&Waist

Carried by Hand



Other Accessories

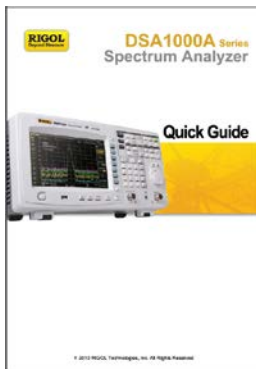
Accessories along with the instrument are shown below. Note that the pictures here are for your reference only. Some differences may exist.



Power Cord



USB Cable



Quick Guide



CDROM*



Front Panel Cover

***Note: The CD contains *User's Guide*. If there are some modifications on it, Please be according to the version on the **RIGOL** website.**