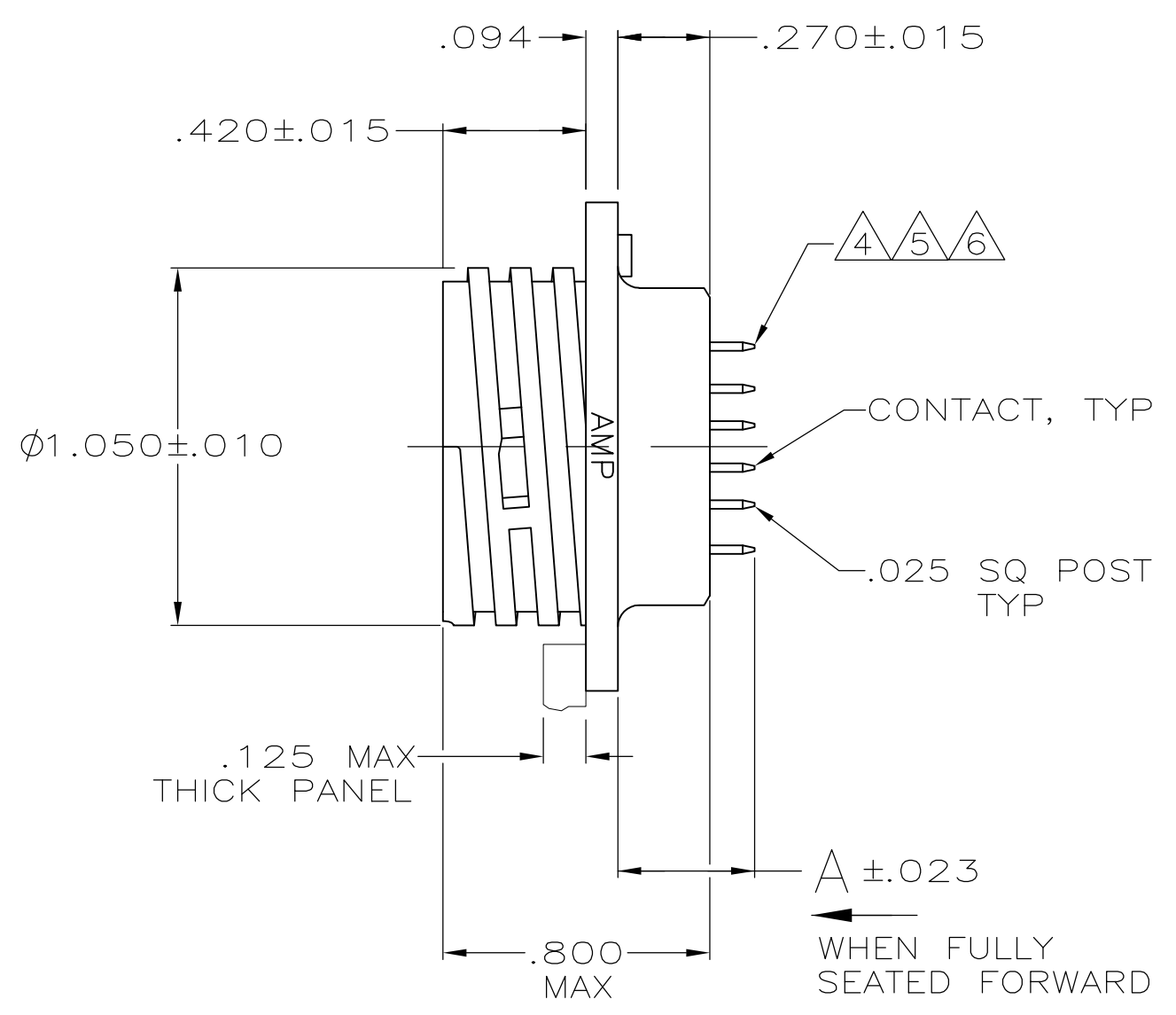
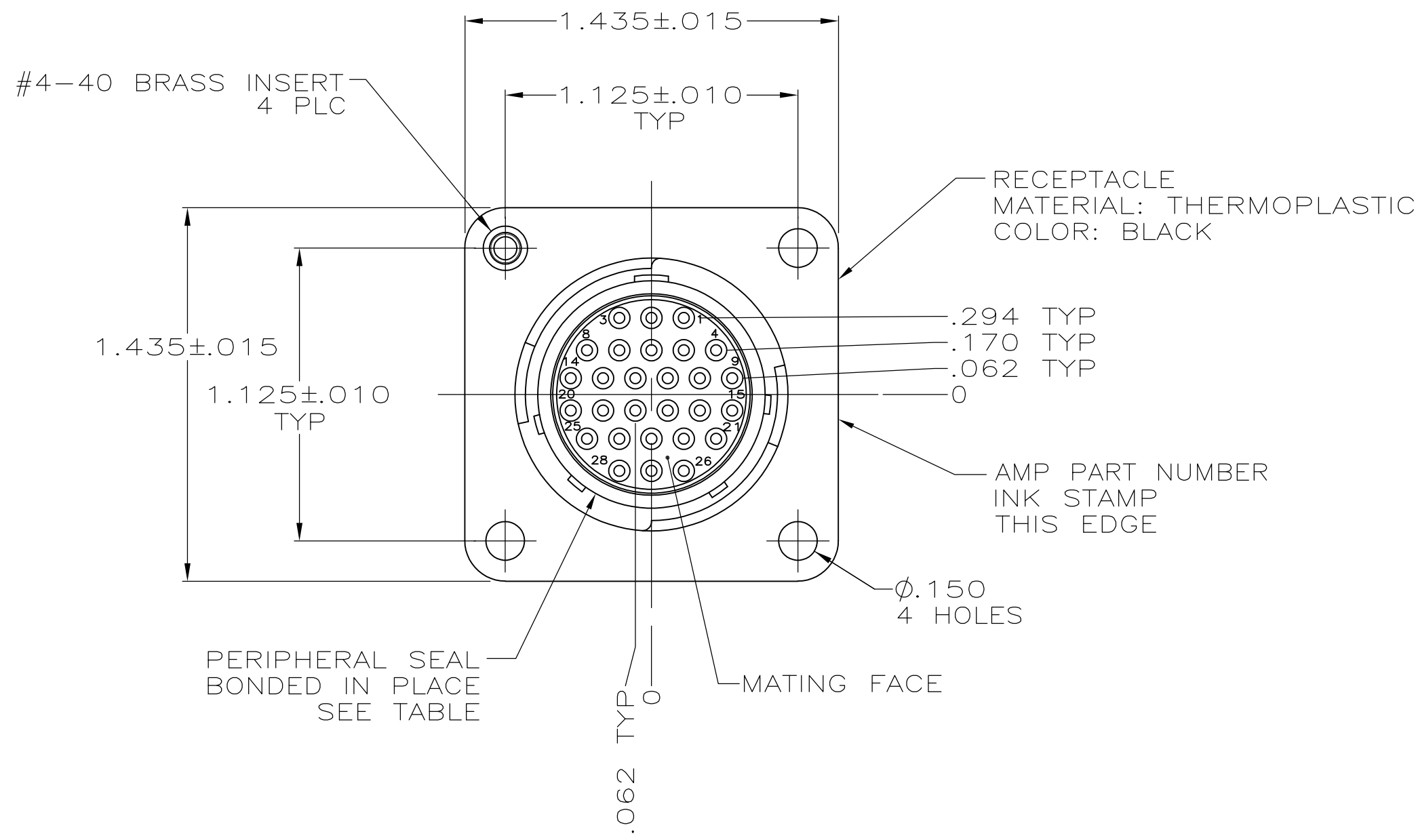


THIS DRAWING IS UNPUBLISHED. RELEASED FOR PUBLICATION  
 © COPYRIGHT - By - ALL RIGHTS RESERVED.

LOC		DIST		REVISIONS					
FT		0		P	LTR	DESCRIPTION	DATE	DWN	APVD
				AD3		REVISED PER ECO-11-004917	11MAR11	RK	HMR



1. CONTACT CAVITIES IDENTIFIED BY CHARACTERS ON FRONT AND REAR FACE OF CONNECTOR.
2. GOLD FLASH FOR A LENGTH OF .100 MIN FROM MATING END, .000100 MIN TIN-LEAD FOR A LENGTH OF DIMENSION 'A' FROM OPPOSITE END, ALL OVER .000050 MIN NICKEL.
3. .000030 MIN GOLD FOR A LENGTH OF .100 MIN FROM MATING END, .000100 MIN TIN-LEAD FOR A LENGTH OF DIMENSION 'A' FROM OPPOSITE END, ALL OVER .000050 MIN NICKEL.
4. CONTACTS TO BE SELECTIVELY LOADED INTO POSITIONS 1, 3, 4, 8, 14, 15, 21, 25, 26, 27 AND 28; FOR -1 ONLY.
5. CONNECTOR TO BE FULLY LOADED FOR -2, -3, -6, AND -8.
6. CONTACTS TO BE SELECTIVELY LOADED INTO POSITIONS 1 THRU 27; FOR -9 ONLY.
7. .000030 MIN GOLD FOR A LENGTH OF .100 MIN FROM MATING END, .000100 MIN TIN FOR A LENGTH OF DIMENSION 'A' FROM OPPOSITE END, ALL OVER .000050 MIN NICKEL.
8. GOLD FLASH FOR A LENGTH OF .100 MIN FROM MATING END, .000100 MIN TIN-LEAD FOR A LENGTH OF DIMENSION 'A' FROM OPPOSITE END, ALL OVER .000050 MIN NICKEL.
9. OBSOLETE PARTS: OBSOLETE CIS STREAMLINING PER D.RENAUD/D.SINISI

	NO	YES	8	.851	2-207216-1
8	NO	YES	8	.402	2-207216-0
OBSOLETE	NO	YES	8	.402	1-207216-9
	YES	NO	8	.851	1-207216-8
	NO	NO	7	.629	1-207216-7
	NO	NO	8	.402	1-207216-6
8	NO	NO	7	.629	1-207216-4
OBSOLETE	NO	YES	3	.629	1-207216-3
PRELIMINARY	NO	YES	3	.851	1-207216-2
PRELIMINARY	NO	YES	2	.402	1-207216-1
8	NO	YES	2	.402	1-207216-0
OBSOLETE	NO	YES	2	.402	1-207216-0
	YES	NO	2	.851	207216-9
	NO	NO	3	.629	207216-8
	NO	YES	3	.629	207216-6
OBSOLETE	NO	YES	2	.402	207216-3
OBSOLETE	NO	YES	2	.402	207216-3
	NO	NO	2	.402	207216-2
OBSOLETE	NO	NO	2	.402	207216-1
	SEAL	THREADED INSERT	CONTACT FINISH	A	PART NUMBER

THIS DRAWING IS A CONTROLLED DOCUMENT.

DWN	J. GALLUCCI BG	5-22-91
CHK	W.G. LENKER	4-14-92
APVD	K. BEAVER	4-14-92
PRODUCT SPEC	108-10024	
APPLICATION SPEC		
WEIGHT	-	
CUSTOMER DRAWING		

**TE** TE Connectivity

RECEPTACLE ASSEMBLY, POSTED, RVS SEX, 17-28, SERIES 2, CPC

SIZE	A2	CAGE CODE	00779	DRAWING NO	C=207216	RESTRICTED TO	-
SCALE	2:1	SHEET	1 of 1	REV	AD3		