



### ■ Features

- Universal AC input / Full range
- 2 pole USA AC plug
- Medical safety approved (2 × MOPP between primary to secondary)
- Suitable for BF application with appropriate system consideration
- Low leakage current <math><50\mu A</math>
- No load power consumption <math><0.3W</math>
- Energy efficiency Level V
- Comply with EISA 2007
- Class II power (without earth pin)
- Protections: Short circuit / Overload / Over voltage
- Fully enclosed plastic case
- Optional lock type DC plug
- 100% full load burn-in test
- 3 years warranty

### ■ Applications

- Blood glucose meter
- Blood pressure meter
- Nebulizer
- Inhaler
- Portable medical device

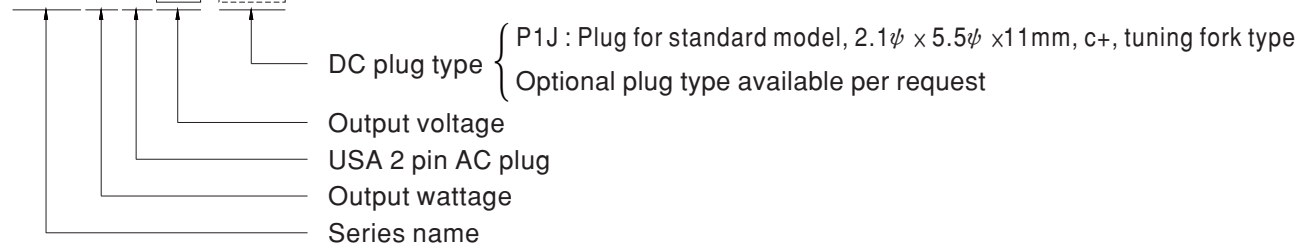
### ■ Description

GSM06U is a highly reliable, 6W wall-mounted style single-output green medical adaptor series. This product is equipped with a 2-pin (no FG) standard USA AC power plug, adopting the input range from 85VAC to 264VAC. The entire series supplies different output voltages between 5VDC and 24VDC that can satisfy the demands for various kinds of miniature medical devices. The circuitry design meets the international medical standards (2 × MOPP), having an ultra low leakage current (<math><50\mu A</math>), fitting the medical devices in direct electrical contact with the patients.

With the efficiency up to 82% and the extreme low no-load power consumption below 0.3W. GSM06U is compliant with USA EISA 2007. The supreme feature allows the adaptor to save the energy when it is either under the operating mode or the standby mode. The entire series utilizes the 94V-0 flame retardant plastic case, providing the double insulation that effectively prevents electrical shock. GSM06U is approved with the international medical safety certificates.

### ■ Model Encoding

**GSM06U 05 -P1J**

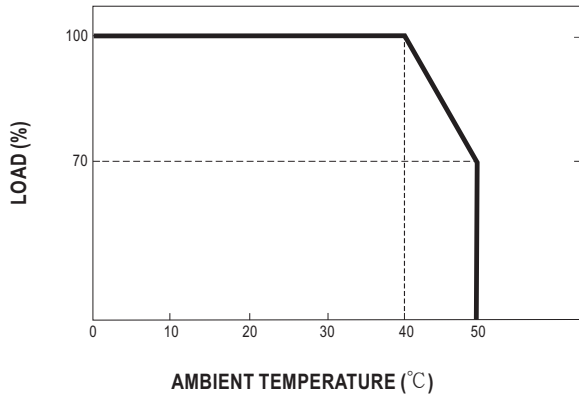




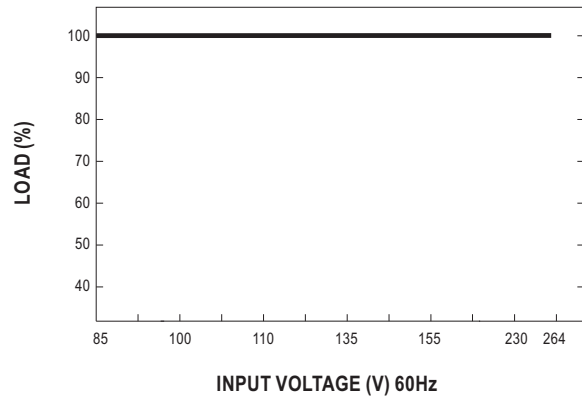
**SPECIFICATION**

ORDER NO.	GSM06U05-P1J	GSM06U06-P1J	GSM06U07-P1J	GSM06U09-P1J	GSM06U12-P1J	GSM06U15-P1J	GSM06U18-P1J	GSM06U24-P1J	
OUTPUT	<b>SAFETY MODEL NO.</b>	GSM06U05	GSM06U06	GSM06U07	GSM06U09	GSM06U12	GSM06U15	GSM06U18	GSM06U24
	<b>DC VOLTAGE</b> <small>Note.2</small>	5V	6V	7.5V	9V	12V	15V	18V	24V
	<b>RATED CURRENT</b>	1.2A	1.0A	0.8A	0.66A	0.5A	0.4A	0.33A	0.25A
	<b>CURRENT RANGE</b>	0 ~ 1.2A	0 ~ 1.0A	0 ~ 0.8A	0 ~ 0.66A	0 ~ 0.5A	0 ~ 0.4A	0 ~ 0.33A	0 ~ 0.25A
	<b>RATED POWER</b>	6W	6W	6W	6W	6W	6W	6W	6W
	<b>RIPPLE &amp; NOISE (max.)</b> <small>Note.3</small>	50mVp-p	50mVp-p	80mVp-p	80mVp-p	100mVp-p	120mVp-p	150mVp-p	180mVp-p
	<b>VOLTAGE TOLERANCE</b> <small>Note.4</small>	±5.0%	±5.0%	±5.0%	±5.0%	±5.0%	±5.0%	±5.0%	±4.0%
	<b>LINE REGULATION</b> <small>Note.5</small>	±0.5%	±0.5%	±0.5%	±0.5%	±0.5%	±0.5%	±0.5%	±0.5%
	<b>LOAD REGULATION</b> <small>Note.6</small>	±5.0%	±5.0%	±5.0%	±5.0%	±3.0%	±3.0%	±3.0%	±2.0%
<b>SETUP, RISE, HOLD UP TIME</b>	1000ms, 50ms, 12ms at full load								
INPUT	<b>VOLTAGE RANGE</b>	85 ~ 264VAC 120 ~ 370VDC							
	<b>FREQUENCY RANGE</b>	47 ~ 63Hz							
	<b>EFFICIENCY (Typ.)</b>	68%	74%	74%	76%	77%	79%	80%	82%
	<b>AC CURRENT</b>	0.18A / 100VAC							
	<b>INRUSH CURRENT (max.)</b>	30A / 230VAC							
	<b>LEAKAGE CURRENT(max.)</b>	Touch current < 50µA/264VAC							
PROTECTION	<b>OVERLOAD</b>	>105% rated output power Protection type : Hiccup mode, recovers automatically after fault condition is removed							
	<b>OVER VOLTAGE</b>	>120% rated output voltage Protection type : Clamp by zener diode							
ENVIRONMENT	<b>WORKING TEMP.</b>	0 ~ +40°C (Refer to "Derating Curve")							
	<b>WORKING HUMIDITY</b>	20% ~ 90% RH non-condensing							
	<b>STORAGE TEMP., HUMIDITY</b>	-20 ~ +85°C, 10 ~ 95% RH							
	<b>TEMP. COEFFICIENT</b>	±0.04% / °C (0 ~ 40°C)							
	<b>VIBRATION</b>	10 ~ 500Hz, 2G 10min./1cycle, period for 60min. each along X, Y, Z axes							
SAFETY & EMC <small>(Note. 7)</small>	<b>SAFETY STANDARDS</b>	IEC60950-1, ANSI/AAMI ES60601-1-11 approved							
	<b>WITHSTAND VOLTAGE</b>	I/P-O/P:5656VDC							
	<b>ISOLATION RESISTANCE</b>	I/P-O/P:100M Ohms / 500VDC / 25°C / 70% RH							
	<b>EMC EMISSION</b>	Compliance to FCC part 15 Class B							
OTHERS	<b>MTBF</b>	500Khrs min. MIL-HDBK-217F(25°C)							
	<b>DIMENSION</b>	32*66*42.5mm (L*W*H)							
	<b>PACKING</b>	100g ; 110pcs / 12Kg / CARTON							
CONNECTOR	<b>PLUG</b>	See page 3 ; Other type available by customer requested							
	<b>CABLE</b>	See page 3 ; Other type available by customer requested							
NOTE	<p>1.All parameters are specified at 115VAC input, rated load, 25°C 70% RH ambient.</p> <p>2.DC voltage: The output voltage set at point measure by plug terminal &amp; 50% load.</p> <p>3.Ripple &amp; noise are measured at 20MHz by using a 12" twisted pair terminated with a 0.1uf &amp; 47uf capacitor.</p> <p>4.Tolerance: includes set up tolerance, line regulation, load regulation.</p> <p>5.Line regulation is measured from low line to high line at rated load.</p> <p>6.Load regulation is measured from 0% to 100% rated load.</p> <p>7.The power supply is considered as an independent unit, but the final equipment still need to re-confirm that the whole system complies with the EMC directives. For guidance on how to perform these EMC tests, please refer to "EMI testing of component power supplies." (as available on <a href="http://www.meanwell.com">http://www.meanwell.com</a>)</p>								

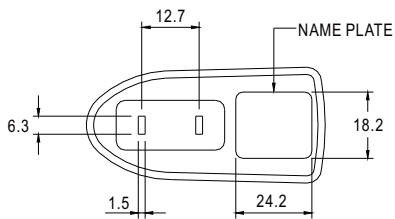
■ Derating Curve



■ Static Characteristics



■ Mechanical Specification



■ Plug Assignment

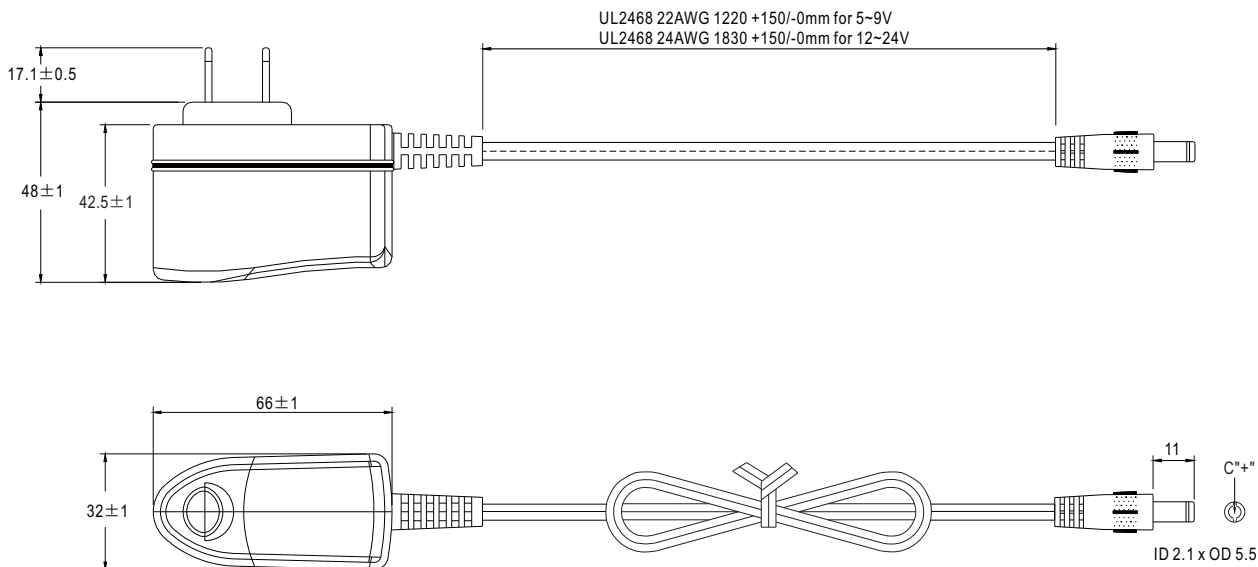
Unit:mm

Standard plug: P1J

P1J	
P/N	OUTPUT
CENTER	+

Optional lock type plug: P2S

SWITCHCRAFT S761K plug equivalent



■ Installation Manual

Please refer to : <http://www.meanwell.com/webnet/search/InstallationSearch.html>