

Path: [Home](#) > [Transformer Index](#) > [Instrument](#) > [Potential](#)



Key Features:

- Used (with 150 Volt full scale A.C. voltmeters) to measure the voltage of 240, 480 or 600 VAC systems.
- Primary insulated for 4.0 KV rms test, suitable for L.V. switchgear and motor control use.
- 50/60 Hz. operation.
- Open construction - "Type H".
- CSA certified (209651).
- The nominal line voltages of 240 and 480 volts may be exceeded by 25% for 60 Hz. operation.
- Insulation system 55 degree C rise, Class 105.

Cat. Number	Nominal Line Voltage	Ratio Pri. / Sec.	Accuracy %	VA	Thermal Rating	Diagram	Overall Dimensions			Mounting Centers		Mtg. Slot		Ship Wt. Lb.
							A	B	C	D	E	G	H	
VT55A	240	240:120	1.2	0-8	50	1	3.00	3.25	2.56	2.50	2.50	.22	.44	3.0
HX54A	240	240:120	1.2	0-20	100	1	3.75	4.00	3.13	3.13	3.13	.22	.44	6.6
VT56A	347	347:120	1.2	0-8	50	1	3.00	3.25	2.56	2.50	2.50	.22	.44	3.0
VT57A	480	480:120	1.2	0-8	50	1	3.00	3.25	2.56	2.50	2.50	.22	.44	3.0
HX74A	480	480:120	1.2	0-20	100	1	3.75	4.00	3.13	3.13	3.13	.22	.44	6.6
VT59A	600	600:120	1.2	0-8	50	1	3.00	3.25	2.56	2.50	2.50	.22	.44	3.0
HX94A	600	600:120	1.2	0-20	100	1	3.75	4.00	3.13	3.13	3.13	.22	.44	6.6

Mechanical Data:

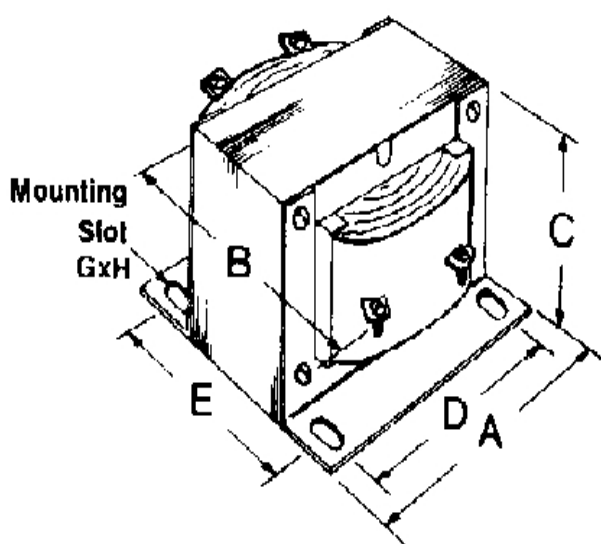


Diagram 1

Downloads



Catalog page(s) on JUST this series (326K)

Exactly what you are looking for???

Link to our stocking distributors – most have "on-line" pricing, stock check and ordering!!!

[Our Distributors](#)

[Order from your favorite distributor](#)