

## M12 Actuator/Sensor Distribution Boxes

ASBSV...LED

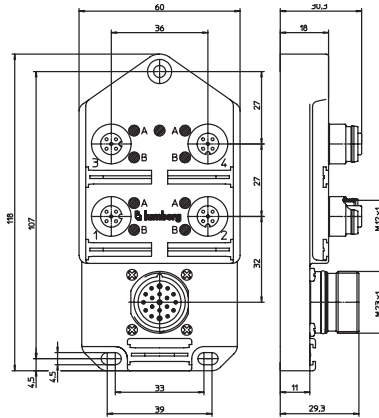


### 4-, 6-, and 8-Ports (LED)

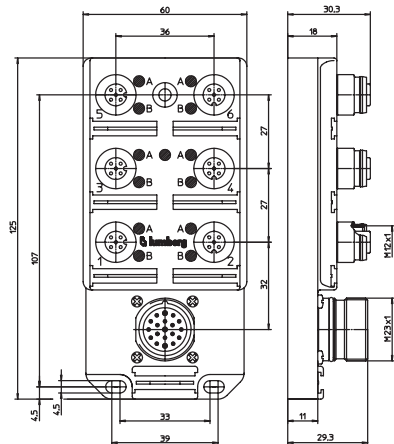
Pluggable actuator/sensor distribution box with LED operation and function indicators, 4-, 6-, and 8-ports, top-entry, M12 sockets, 5-poles, 2 signals per socket, with M23 quick-disconnect for the control cable.

– control cable type: 19P: RKU 19-242/...M or RKWU 19-242/...M –

#### 4-Ports



#### 6-Ports

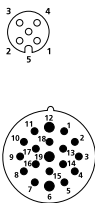


### Pin Assignments

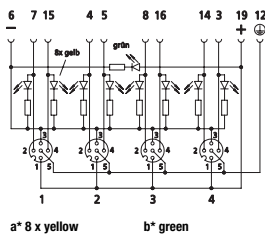
M12 / M23

Wiring Diagrams

#### 5 P / 19 P



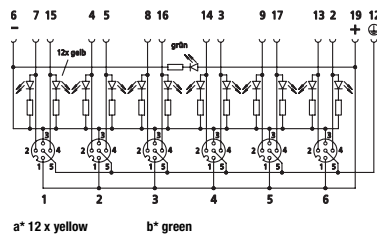
#### 4-Ports



a\* 8 x yellow      b\* green

1 =	19	(C1)
2 =	1	(7)
	2	(4)
	3	(8)
	4	(14)
3 =	6	(C3)
4 =	1	(15)
	2	(5)
	3	(16)
	4	(3)
5 =	12	(PE)

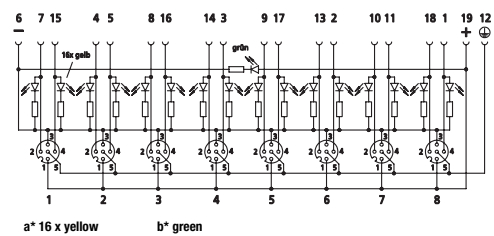
#### 6-Ports



a\* 12 x yellow      b\* green

1 =	19	(C1)
2 =	1	(7)
	2	(4)
	3	(8)
	4	(14)
	5	(9)
	6	(13)
3 =	6	(C3)
4 =	1	(15)
	2	(5)
	3	(16)
	4	(3)
	5	(17)
	6	(2)
5 =	12	(PE)

#### 8-Ports



a\* 16 x yellow      b\* green

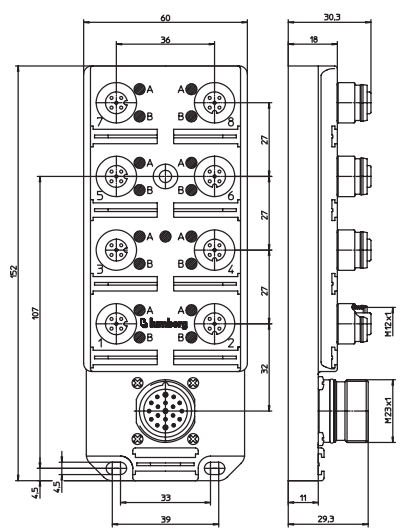
1 =	19	(C1)
2 =	1	(7)
	2	(4)
	3	(8)
	4	(14)
	5	(9)
	6	(13)
	7	(10)
	8	(18)
3 =	6	(C3)
4 =	1	(15)
	2	(5)
	3	(16)
	4	(3)
	5	(17)
	6	(2)
	7	(11)
	8	(1)
5 =	12	(PE)



Be Certain with Belden

**M12 Actuator/Sensor Distribution Boxes**  
 ASBSV 4/LED 5 | ASBSV 6/LED 5 | ASBSV 8/LED 5

**8-Ports**



**Technical Data**

**Environmental**

Degree of protection IP 67 / NEMA 6P  
 Operating temperature range -15°C (+5°F) / +80°C (+176°F)

**Mechanical**

Housing TPU, self-extinguishing  
 Insert PA GF, self-extinguishing  
 Contact CuZn, pre-nickel and 0.8 microns gold-plated  
 Receptacle shell CuZn, nickel-plated  
 O-ring FKM

**Electrical**

Contact resistance ≤5mΩ  
 Voltage rating 10-30 V DC  
 Current rating 4 A per port / 10 A max. total  
 Insulation resistance > 10<sup>9</sup> Ω

**Accessories (included)**

ZVK 2 dust covers for unused sockets  
 ZBS 10 attachable labels

Part Number	Ports	Mating Control Cables	Characteristics
ASBSV 4/LED 5	4	RKU 19-242/...M or RKWU 19-242/...M	
ASBSV 6/LED 5	6	RKU 19-242/...M or RKWU 19-242/...M	
ASBSV 8/LED 5	8	RKU 19-242/...M or RKWU 19-242/...M	