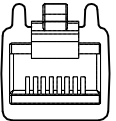

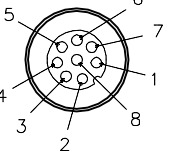

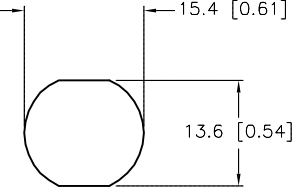
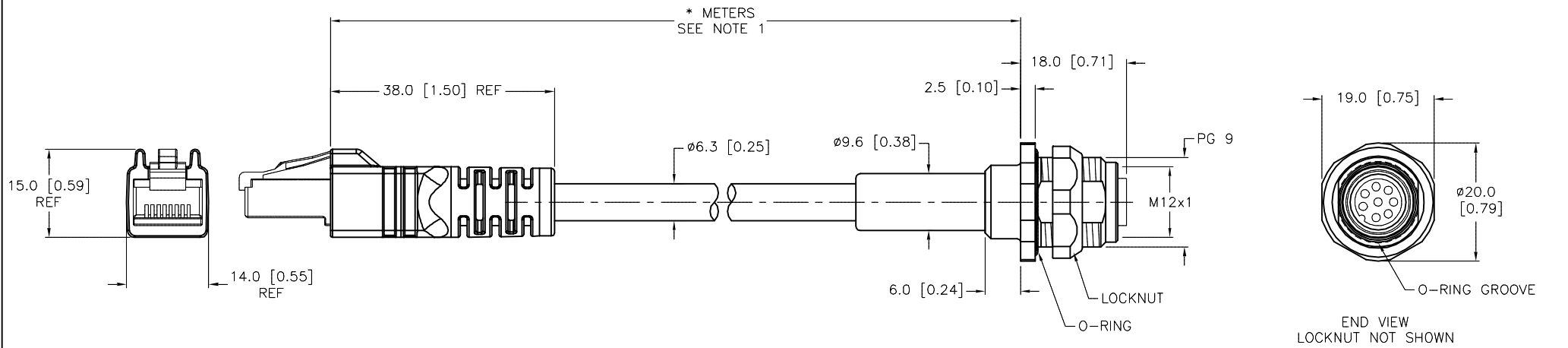


RJ45 END VIEW	FEMALE END VIEW	MOUNTING HOLE	SPECIFICATIONS	
 <p>12345678</p> <p>1 = WHITE/ORANGE (+TX) 2 = ORANGE (-TX) 3 = WHITE/GREEN (+RX) 4 = BLUE 5 = WHITE/BLUE 6 = GREEN (-RX) 7 = WHITE/BROWN 8 = BROWN</p> <p>Ethernet  Ethernet</p>	 <p>1 = WHITE/BLUE 2 = WHITE/BROWN 3 = BROWN 4 = ORANGE (-TX) 5 = WHITE/GREEN (+RX) 6 = WHITE/ORANGE (+TX) 7 = BLUE 8 = GREEN (-RX)</p> <p>Ethernet  Ethernet</p>	 <p>15.4 [0.61] 13.6 [0.54]</p>	CONTACT CARRIER MATERIAL (FKFD)	TPU/BLACK
			MOLDED HEAD MATERIAL/COLOR (FKFD)	TPU/BLACK
			CONTACT MATERIAL/PLATING (FKFD)	BRASS/GOLD
			COUPLING NUT MATERIAL/PLATING (FKFD)	BRASS/NICKEL
			CONTACT CARRIER MATERIAL/COLOR (RJ45)	POLYCARBONATE/CLEAR
			MOLDED HEAD MATERIAL/COLOR (RJ45)	TPU/BLACK
			CONTACT MATERIAL/PLATING (RJ45)	BRONZE/GOLD
			RATED CURRENT [A]	1.5 A
			RATED VOLTAGE [V]	42 V
			OUTER CABLE JACKET MATERIAL/COLOR	TPE/TEAL
CONDUCTOR INSULATION MATERIAL	HDPE			
NUMBER OF CONDUCTORS [AWG]	8x24 AWG, STRANDED, CAT 5e			
TEMPERATURE RANGE	-40°C to +75°C (-40°F to +167°F)			
PROTECTION CLASS	MEETS NEMA 1,3,4,6P AND IEC IP68 (RJ45:IP20)			

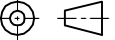


CABLE LENGTH	TOLERANCE*
ALL LENGTHS	+ 4% (OR 50mm) OF LENGTH - 0% (OR 0mm) OF LENGTH WHICHEVER IS GREATER
STRIP LENGTH	TOLERANCE*
0-7mm	±0.5mm
8-29mm	±1.0mm
30-49mm	±2.0mm
50-69mm	±3.0mm
70-100mm	±4.0mm
OVER 100mm	±5.0mm

* UNLESS OTHERWISE SPECIFIED

SOURCE DRAWING - FOR REFERENCE ONLY

NOTES:
1. "*" INDICATES CABLE LENGTH IN METERS. CONTACT TURCK TO ORDER SPECIFIC LENGTHS.

RELATED DOCUMENTS 1. 2. 3. 4.	3RD ANGLE PROJECTION 	THIS DRAWING IS CONFIDENTIAL AND THE PROPERTY OF TURCK INC. USE OF THIS DOCUMENT WITHOUT WRITTEN PERMISSION IS PROHIBITED.		3000 CAMPUS DRIVE MINNEAPOLIS, MN 55441 1-800-544-7769 (763) 553-7300 (763) 553-0708 fax turck.com	
		MATERIAL	DRFT DF APVD DF	DATE 5/23/01 SCALE 1=1.0	DESCRIPTION RJ45 FKFD 840-*M
FINISH	ALL DIMENSIONS DISPLAYED ON THIS DRAWING ARE FOR REFERENCE ONLY CONTACT TURCK FOR MORE INFORMATION	UNIT OF MEASUREMENT MILLIMETER [INCH]		IDENTIFICATION NO.	REV 0
O UPDATE RECEPTACLE RDS 05/04/15 49613		DO NOT SCALE THIS DRAWING		FILE: 777005852	SHEET 1 OF 1

O	UPDATE RECEPTACLE	RDS	05/04/15	49613
REV	DESCRIPTION	BY	DATE	ECO NO.